

Type OM & ON Cam switches

ABB Cam switches



A complete range of standard and special cam switches for door and modular base mounting.

- ON-OFF switches
- HOA switches
- Stop switches
- Start switches
- Pumpstart switches
- Change-over switches
- Ventilation switches
- Multistep switches
- Reversing switches
- Voltmeter switches
- Ammeter switches

Features:

- Complete delivery for easy purchasing and assembly
- Standard delivery with Black handle, optional extra black handle
- Small panel size: front space in side to side mounting 30 or 50mm
- Finger-protected terminals and interconnections (IP20, VBG4)
- Combi screws, terminal screws size 2 for fast cabling
- Cabling from top and bottom gives the possibility to mount side by side
- Doubling break silver contacts with 0.35 μm gold plating ensure a high breaking capacity and reliable connection. Also available with 4 μm gold plating for extremely difficult circumstances. Have to be ordered separately, please add AU to the type, e.g.; OMA 1 PGAU
- Special cam switches available. See page 11.21.
- Special engraving available

Protection degrees

Snap-on door mounting
IEC: IP 65
UL: class 4

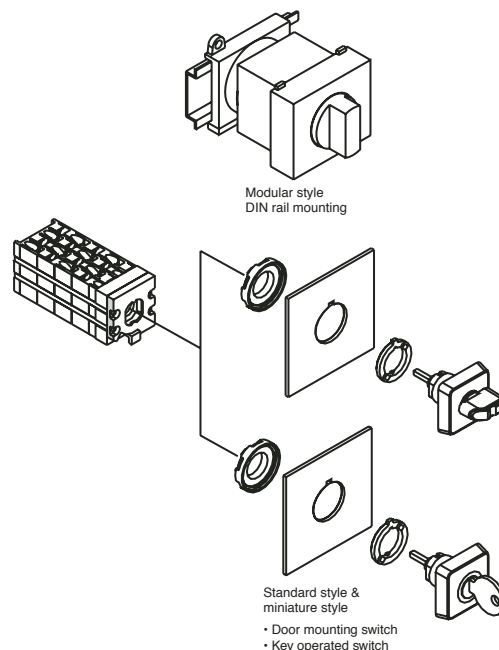
DIN-rail mounting
IP 44

Door drilling:

OM: \varnothing 16.5mm / \varnothing 22.5mm
ON: \varnothing 22.5mm / \varnothing 30.5mm
Maximum panel thickness 5.5mm

The Black handle with square escutcheon plate marked for switch type is supplied with the switch body.

11



2 position ①



OMA01PB, Miniature



ONA01PB, Normal



ONA01M, Modular, DIN-rail mounted



OMA01KB, Key operated

ON-OFF switches

Black handle and frontplate with standard text are included. Special engraved frontplates to be ordered as separate items.

Function	Number of poles	UL/CSA General use	IEC Rated thermal current (A)	Rotating angle 90° 0 Position 9 o'clock Catalog number	Rotating angle 90° 0 Position 12 o'clock Catalog number	List price
Knob operated						
Miniature, door mounted						
0 - 1	1	10	10	OMA1PB	OMA01PB	\$ 30
	2			OMA2PB	OMA02PB	35
	3			OMA3PB	OMA03PB	40
0 - 1	4	10	10	OMA4PB	OMA04PB	45
	5			OMA5PB	OMA05PB	50
	6			OMA6PB	OMA06PB	60
Normal, door mounted						
0 - 1	1	16	25	ONA1PB	ONA01PB	40
	2			ONA2PB	ONA02PB	45
	3			ONA3PB	ONA03PB	68
0 - 1	4	16	25	ONA4PB	ONA04PB	55
	5			ONA5PB	ONA05PB	60
	6			ONA6PB	ONA06PB	70
Modular, DIN-rail mounted						
0 - 1	1	16	25	ONA1M	ONA01M	50
	2			ONA2M	ONA02M	60
	3			ONA3M	ONA03M	70
	6			ONA6M	ONA06M	80
Key operated						
Miniature, door mounted						
0 - 1	1	10	10	OMA1KB	OMA01KB	50
	3			OMA3KB	OMA03KB	60
Normal, door mounted 90°						
0 - 1	1	16	25	ONA1KB	ONA01KB	60
	3			ONA3KB	ONA03KB	70

Stop switches

Black handle and frontplate with standard text are included. Package size 10 pcs. Special engraved frontplates to be ordered as separate items. With spring return, NC contacts.

Function	Number of poles	UL/CSA general use	IEC rated thermal current (A)	Catalog number	List price
Miniature, door mounted					
0 _R - Stop	2	10	10	OMSA2PB	\$ 35
0 _R - Stop	2	16	25	ONSA2PB	45

Start switches

Black handle and frontplate with standard text are included. Package size 10 pcs. Special engraved frontplates to be ordered as separate items. With spring return, NO contacts.

Function	Number of poles	UL/CSA general use	IEC rated thermal current (A)	Catalog number	List price
Miniature, door mounted					
0 _R - Start	1	10	10	OMSE2PB	\$ 35
Normal, door mounted					
Stop - Start	1	16	25	ONSE2PB	45
Pumpstart switch					
Miniature, door mounted					
0 - 1	1	10	10	OMSE158PB	45
Normal, door mounted					
0 - 1	1	16	25	ONSE158PB	50
Modular, DIN-rail mounted					
0 - 1	1	16	25	ONSE158M	50

① For contact configuration, see pages 11.14 – 11.15.

2 position ①



OMA01PB, Miniature



ONA01PB, Normal



ONA01M, Modular, DIN-rail mounted

Change-over switches

Black handle and frontplate with standard text are included. Package size 10 pcs. Special engraved frontplates to be ordered as separate items.

Function	Number of poles	UL/CSA general use	IEC rated thermal current (A)	Catalog number	List price
Without 0 position					
Miniature, door mounted					
1 - 2	1	10	10	OMWS1PB	\$ 30
	2			OMWS2PB	40
	3			OMWS3PB	50
	4			OMWS4PB	60
Normal, door mounted					
1 - 2	1	16	25	ONWS1PB	40
	2			ONWS2PB	50
	3			ONWS3PB	60
	4			ONWS4PB	70
Modular, DIN-rail mounted					
1 - 2	1	16	25	ONWS1M	40
	2			ONWS2M	50
	3			ONWS3M	60
	4			ONWS4M	70

① For contact configuration, see pages 11.14 – 11.15.

3 position ①



OMSEA10PB, Miniature



ONVN3PB, Normal



ONST31M, Modular, DIN-rail mounted

Start switches

Black handle and frontplate with standard text are included. Package size 10 pcs. Special engraved frontplates to be ordered as separate items. With spring return, NO contacts.

Function	Number of poles	UL/CSA general use	IEC rated thermal current (A)	Catalog number	List price
Miniature, door mounted 0 - 1 _R - Start	1	10	10	OMSEA10PB	\$ 40
Normal, door mounted 0 - 1 _R - Start	1	16	25	ONSEA10PB	45
Modular, DIN-rail mounted 0 - 1 _R - Start	1	16	25	ONSEA10M	45

Voltmeter switches

Black handle and frontplate with standard text are included. Package size 10 pcs. Special engraved frontplates to be ordered as separate items.

Function	Number of poles	UL/CSA general use	IEC rated thermal current (A)	Catalog number	List price
3 phase to neutral without 0 position Miniature, door mounted L1-L2, L2-L3, L3-L1	1	10	10	OMVN3PB	\$ 45
Normal, door mounted L1-L2, L2-L3, L3-L1	1	16	25	ONVN3PB	50
Modular, DIN-rail mounted L1-L2, L2-L3, L3-L1	1	16	25	ONVN3M	50

Reversing switches

Black handle and frontplate with standard text are included. Package size 10 pcs. Special engraved frontplates to be ordered as separate items.

Function	Number of poles	UL/CSA general use	IEC rated thermal current (A)	Catalog number	List price
1 - 0 - 2	3	16	25	ONW3PB	\$ 70

Multistep switches, without 0 position

Black handle and frontplate with standard text are included. Package size 10 pcs. Special engraved frontplates to be ordered as separate items.

Function	Number of poles	UL/CSA general use	IEC rated thermal current (A)	Catalog number	List price
3-Step Miniature, door mounted					
1 - 2 - 3	1 2 3 4	10	10 10 10 10	OMST31PB OMST32PB OMST33PB OMST34PB	\$ 35 45 60 75
Normal, door mounted					
1 - 2 - 3	1 2 3 4	16	25 25 25 25	ONST31PB ONST32PB ONST33PB ONST34PB	40 50 70 90
Modular, DIN-rail mounted 1 - 2 - 3	1	16	25	ONST31M	40

Multistep switches, with 0 position

Black handle and frontplate with standard text are included. Package size 10 pcs. Special engraved frontplates to be ordered as separate items.

Function	Number of poles	UL/CSA general use	IEC rated thermal current (A)	Catalog number	List price
2-Step Miniature, door mounted					
0 - 1 - 2	1 2 3 4	10	10 10 10 10	OMSO21PB OMSO22PB OMSO23PB OMSO24PB	\$ 35 45 60 75
Normal, door mounted					
0 - 1 - 2	1 2 3 4	16	25 25 25 25	ONSO21PB ONSO22PB ONSO23PB ONSO24PB	40 50 65 80
Modular, DIN-rail mounted 0 - 1 - 2	1	16	25	ONSO21M	40

① For contact configuration, see pages 11.16 – 11.17.

3 position ①



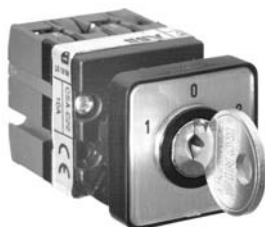
OMU1PB, Miniature



ONU1PB, Normal



ONU1M, Modular, DIN-rail mounted



OMUIKB, Modular, DIN-rail mounted

Change-over switches

Black handle and frontplate with standard text are included. Package size 10 pcs. Special engraved frontplates to be ordered as separate items.

Function	Number of poles	UL/CSA general use	IEC rated thermal current (A)	Catalog number	List price
Rotating angle 60°					
Miniature, door mounted					
1 - 0 - 2	1 2 3 4	10	10	OMU1PB OMU2PB OMU3PB OMU4PB	\$ 50 50 60 65
Normal, door mounted					
1 - 0 - 2	1 2 3 4	16	25	ONU1PB ONU2PB ONU3PB ONU4PB	70 80 90 100
Modular, DIN-rail mounted					
1 - 0 - 2	1 2 3 4	16	25	ONU1M ONU2M ONU3M ONU4M	70 80 90 100
Key operated , with 0 position					
Miniature, door mounted					
1 - 0 - 2	1 3	10	10	OMU1KB OMU3KB	55 70
Normal, door mounted					
1 - 0 - 2	1 3	16	25	ONU1KB ONU3KB	65 80
1_R - 0 - 2_R with two sided spring return					
Miniature, door mounted					
1 _R - 0 - 2 _R	1 3	10	10	OMURR1PB OMURR3PB	55 70
Normal, door mounted					
1 _R - 0 - 2 _R	1 2 3	16	25	ONURR1PB ONURR2PB ONURR3PB	65 80 90
Modular, DIN-rail mounted					
1 _R - 0 - 2 _R	1	16	25	ONURR1M	65

① For contact configuration, see pages 11.16 – 11.17.

4 position ①



OMV3PB, Miniature



ONV3PB, Normal



ONV3M, Modular, DIN-rail mounted

Voltmeter switches

Black handle and frontplate with standard text are included. Package size 10 pcs. Special engraved frontplates to be ordered as separate items.

Function	Number of poles	UL/CSA general use	IEC rated thermal current (A)	Catalog number	List price
3 phase to phase with 0 position Miniature, door mounted 0, L1-L2, L2-L3, L3-L1	1	10	10	OMV3PB	\$ 50
Normal, door mounted 0, L1-L2, L2-L3, L3-L1	1	16	25	ONV3PB	55
Modular, DIN-rail mounted 0, L1-L2, L2-L3, L3-L1	1	16	25	ONV3M	55

Amperemeter switches

Black handle and frontplate with standard text are included. Package size 10 pcs. Special engraved frontplates to be ordered as separate items.

3 current transformer circuits with 0 position

Function	Number of poles	UL/CSA general use	IEC rated thermal current (A)	Catalog number	List price
Miniature, door mounted 0 - 1 - 2 - 3	1	10	10	OMAU31PB	\$ 50
Normal, door mounted 0 - 1 - 2 - 3 0 - 1 - 2 - 3	1 2	16	25	ONAU31PB ONAU32PB	55 60
Modular, DIN-rail mounted 0 - 1 - 2 - 3	1	16	25	ONAU31M	55

Multistep switches, without 0 position

Black handle and frontplate with standard text are included. Package size 10 pcs. Special engraved frontplates to be ordered as separate items.

Function	Number of poles	UL/CSA general use	IEC rated thermal current (A)	Catalog number	List price
4-Step Miniature, door mounted 1 - 2 - 3 - 4	1 2 3	10	10	OMST41PB OMST42PB OMST43PB	\$ 40 60 75
Normal, door mounted 1 - 2 - 3 - 4	1 2 3	16	25	ONST41PB ONST42PB ONST43PB	50 70 85

Multistep switches, with 0 position

Black handle and frontplate with standard text are included. Package size 10 pcs. Special engraved frontplates to be ordered as separate items.

Function	Number of poles	UL/CSA general use	IEC rated thermal current (A)	Catalog number	List price
3-Step Miniature, door mounted 0 - 1 - 2 - 3	1 2 3 4	10	10	OMSO31PB OMSO32PB OMSO33PB OMSO34PB	\$ 40 60 75 90
Normal, door mounted 0 - 1 - 2 - 3	1 2 3 4	16	25	ONSO31PB ONSO32PB ONSO33PB ONSO34PB	45 65 80 95
Modular, DIN-rail mounted 0 - 1 - 2 - 3	1	16	25	ONSO31M	45

Ventilation switches

Black handle and frontplate with standard text are included. Package size 10 pcs. Special engraved frontplates to be ordered as separate items.

Function	Number of poles	UL/CSA general use	IEC rated thermal current (A)	Catalog number	List price
Miniature, door mounted A - 0 - 1/2 - 1/1	2	10	10	OMST301PB	\$ 40
Normal, door mounted A - 0 - 1/2 - 1/1	2	16	25	ONST301PB	45
Modular, DIN-rail mounted A - 0 - 1/2 - 1/1	2	16	25	ONST301M	45

① For contact configuration, see page 11.18.

5 position ①



OMSO41PB, Miniature



ONSO41PB, Normal



ONUR139M, Modular, DIN-rail mounted

Start switches

Black handle and frontplate with standard text are included. Package size 10 pcs. Special engraved frontplates to be ordered as separate items. With spring return, NO contacts.

Function	Number of poles	UL/CSA general use	IEC rated thermal current (A)	Catalog number	List price
Normal, door mounted Start - 1 _R - 0 - 2 _R - Start	1	16	25	ONUR139PB	\$ 75
Modular, DIN-rail mounted Start - 1 _R - 0 - 2 _R - Start	1	16	25	ONUR139M	80

Multistep switches, with 0 position

Black handle and frontplate with standard text are included. Package size 10 pcs. Special engraved frontplates to be ordered as separate items.

Function	Number of poles	UL/CSA general use	IEC rated thermal current (A)	Catalog number	List price
4-Step Miniature, door mounted 0 - 1 - 2 - 3 - 4	1 2 3	10	10	OMSO41PB OMSO42PB OMSO43PB	\$ 45 65 80
Normal, door mounted 0 - 1 - 2 - 3 - 4	1 2 3	16	25	ONSO41PB ONSO42PB ONSO43PB	50 70 85

Multistep switches, without 0 position

Black handle and frontplate with standard text are included. Package size 10 pcs. Special engraved frontplates to be ordered as separate items.

Function	Number of poles	UL/CSA general use	IEC rated thermal current (A)	Catalog number	List price
5-Step Miniature, door mounted 1 - 2 - 3 - 4 - 5	1 2	10	10	OMST51PB OMST52PB	\$ 55 65
Normal, door mounted 1 - 2 - 3 - 4 - 5	1 2	16	25	ONST51PB ONST52PB	65 75

① For contact configuration, see page 11.19.

6 position



OMVN30PB



ONVN30PB



ONVN30M

Voltmeter switches

Black handle and frontplate with standard text are included. Package size 10 pcs. Special engraved frontplates to be ordered as separate items.

Function	Number of poles	UL/CSA general use	IEC rated thermal current (A)	Catalog number	List price
3 phase to phase and 3 phase to neutral, without 0 position					
Miniature, door mounted L1-L3, L2-L3, L1-L2 L1-N, L2-N, L3-N	1	10	10	OMVN30PB	\$ 70
Normal, door mounted L1-L3, L2-L3, L1-L2 L1-N, L2-N, L3-N	1	16	25	ONVN30PB	75
Modular, DIN-rail mounted L1-L3, L2-L3, L1-L2 L1-N, L2-N, L3-N	1	16	25	ONVN30M	75

Multistep switches, with 0 position

Black handle and frontplate with standard text are included. Package size 10 pcs. Special engraved frontplates to be ordered as separate items.

Function	Number of poles	UL/CSA general use	IEC rated thermal current (A)	Catalog number	List price
5-Step					
Miniature, door mounted 0 - 1 - 2 - 3 - 4 - 5	1 2	10	10	OMSO51PB OMSO52PB	\$ 55 65
Normal, door mounted 0 - 1 - 2 - 3 - 4 - 5	1 2	16	25	ONSO51PB ONSO52PB	65 75

7 position ①



OMV32PB



ONV32PB



ONV30M

Voltmeter switches

Black handle and frontplate with standard text are included. Package size 10 pcs. Special engraved frontplates to be ordered as separate items.

Function	Number of poles	UL/CSA general use	IEC rated thermal current (A)	Catalog number	List price
3 phase to phase and 3 phase to neutral, with 0 position					
Miniature, door mounted L1-L3, L2-L3, L1-L2, 0 L1-N, L2-N, L3-N	1	10	10	OMV30PB	\$ 75
Normal, door mounted L1-L3, L2-L3, L1-L2, 0 L1-N, L2-N, L3-N	1	16	25	ONV30PB	80
Modular, DIN-rail mounted L1-L3, L2-L3, L1-L2, 0 L1-N, L2-N, L3-N	1	16	25	ONV30M	80
3 phase to phase voltages for 2 circuits					
Miniature, door mounted L1-L3, L2-L3, L1-L2, 0 L1-L3, L2-L3, L1-L2	1	10	10	OMV32PB	75
Normal, door mounted L1-L3, L2-L3, L1-L2, 0 L1-L3, L2-L3, L1-L2	1	16	25	ONV32PB	85

① For contact configuration, see page 11.20.



OMX99



OMF101



ONF101



OMFB72



ONFB72



OMNX80



OMPB1



ONPB1

Accessories

Function	For cam switches type	Catalog number	List price
Handle with blank front plate without engraving			
Black	OM_, Mini	OMPB1	\$ 20.00
Black	ON_, Normal	ONPB1	25.00
Front ring, separate lettering on the panel needed			
Black	OM_, Mini	OMX99	2.60
Front plate, blank without engraving^①			
Silver	OM_, Mini	OMF101	1.70
Silver	ON_, Normal	ONF101	3.10
Additional lettering plate, without engraving, black engraving from front side^②			
Black frame	OM_, Mini	OMFB72	3.00
Black frame	ON_, Normal	ONFB72	7.00
Nut spanner for mounting the handle to the door			
	OM_, Mini	OMNX80	6.00
Padlockable handle			
For max. 2 padlocks with 6mm bail diameter or for max. 3 padlocks with 4mm bail diameter			
Black	ON_, Normal	ONZ20B	37.00
Red/Yellow	ON_, Normal	ONZ20RY	
Protective rear cover			
Transparent, IP 42 protection			
Number of contact chambers			
1-2, 2-4	ON_, Normal	ONZ10L2	40.00
3-4, 6-8	ON_, Normal	ONZ10L4	
5-6, 10-12	ON_, Normal	ONZ10L6	

① Special front plate for standard switches: order as separate position. Attach specification in electronic format or paper. Eg. ONF 101/TEXT
 ② Additional lettering plate with engraving: order as separate position. Attach specification in electronic format or paper. The text can also be typed as comment. Eg. ONFB 72/TEXT Pumping station

Technical data

UL / CSA



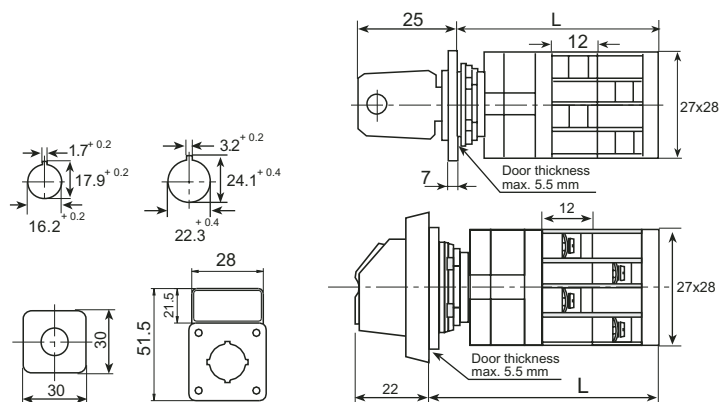
UL 508 Manual Motor Controller file number E 171806				Type OM	Type ON
Maximum operating voltage		VAC		300	600
Ampere rating	Pilot duty	CSA/UL category		A300	A600
	General use	CSA/UL	A	10	16
Ampere rating CSA			A	10	16
Rated Power (HP)	120V	HP		1	1
3-Phase`	240V	HP		1	1
	480V	HP		—	2
	600V	HP		—	5
1-Phase	120V	HP		0.33	0.5
	240V	HP		0.75	1
	480V	HP		—	2
	600V	HP		—	3
Short circuit ratings					
Maximum short circuit, prospective fault current		kA		1	10
Maximum fuse size R k5		A		16	35
Switching frequency		cycles/h		150	150
Connecting screws		M		2.5	3.5
Max cable cross section		mm ²		1.5	4

Technical data according to IEC 947/EN 60947-3-4-5

IEC rating		OM ₋	ON ₋
Resistive and inductive load			
AC ratings			
Rated operating voltage U _e IEC	V	500	690
Isolation condition acc to VDE	V	250	400
Rated thermal current I _{th} IEC	A	10	25
Rated short circuit current	kA	1	16
Max back up fuse link	A	10	25
Short time current carrying capacity			
3s	A	—	100
10s	A	—	60
30s	A	—	32
60s	A	—	30
Rated operational current I _o	A	10	25
Non- or slightly inductive load AC1	380V A	10	25
Switching of resistive loads AC21	400V A	10	25
Switching of magnetic drives relays, valves, traction magnets			
AC11	220 – 240V A	2.5	5.5
	380 – 440V A	—	3.5
	500V A	—	4.5
Mixed resistive and inductive load, pf. 0.7			
AC22	220 – 500V A	10	20
	660 – 690V A	—	20
DC ratings			
Switching capacity DC rated voltage with resistive circuits (T _s ≤1ms)			
DC1	24V A	10	10
	40V A	6	10
	60V A	2.5	3
	110V A	0.7	0.8
	220V A	0.3	0.32
	440V A	—	0.22
Switching capacity DC rated voltage with inductive circuits (T _s ≤50ms)			
DC1	24V A	6	10
	30V A	3	4.5
	40V A	1	1.7
	60V A	0.7	0.7
	110V A	0.3	0.3
Motor ratings			
AC ratings			
Rated operational power, 3 phase	AC2	220 – 240V kW	2.5
		380 – 440V kW	—
Starting of slip-ring motors, switching off		500V kW	—
		660 – 690V kW	—
Rated operational power 3 phase, 3 pole	AC3	220 – 240V kW	1.8
		380 – 440V kW	2.2
Direct starting of squirrel cage motors, switching off running motors		500V kW	—
		660 – 690V kW	—
1 phase		110V kW	0.3
		220 – 240V kW	0.55
		400V kW	0.75
Rated operational power, 3 phase, 3 pole	AC23	220 – 240V kW	1.8
		380 – 440V kW	3.0
Occasional switching of motors or other highly-inductive devices load		500V kW	—
		660 – 690V kW	—
1 phase		110V kW	0.37
		220 – 240V kW	0.75
		380 – 440V kW	1.1

Approximate dimensions

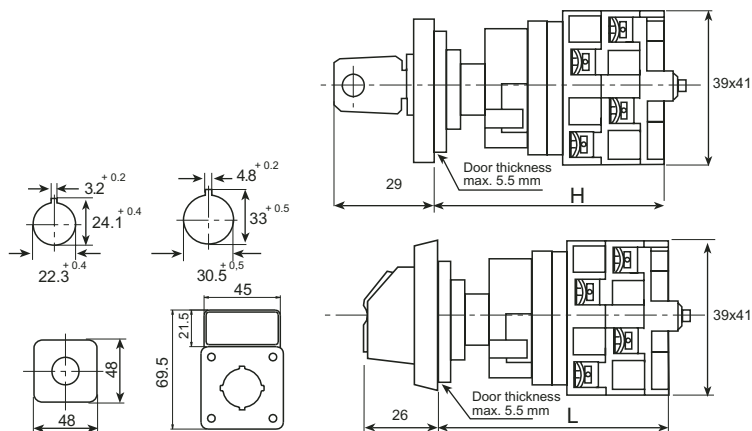
Type OM, miniature



L for number of contact chambers							
1	2	3	4	5	6	7	8
45	57	69	81	90	105	117	129

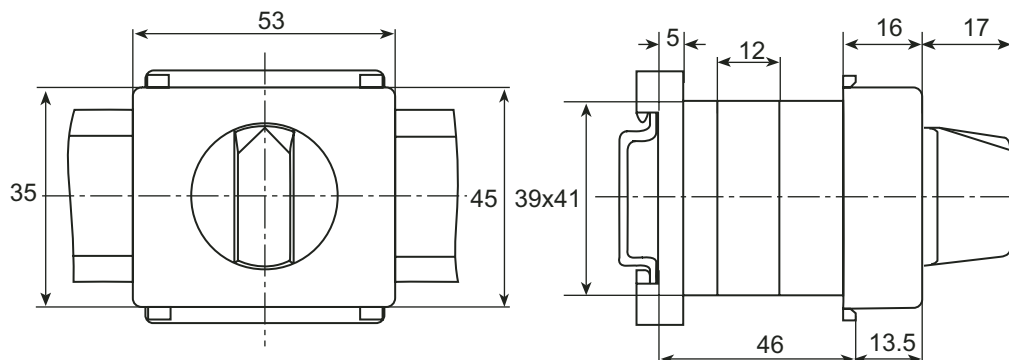
ON, normal

11



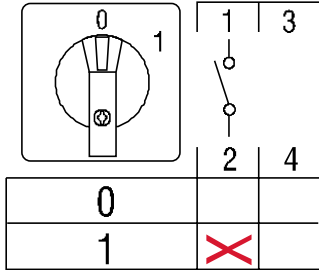
L for number of contact chambers										
	1	2	3	4	5	6	7	8	9	10
L	54	66	78	90	102	114	126	138	150	162
H	62	74	86	98	110	122	134	146	159	171

ON, Modular

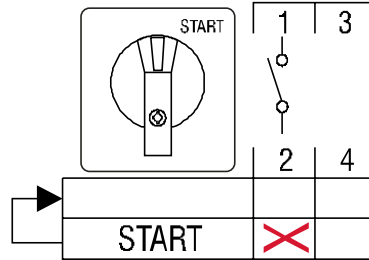


Circuit diagrams 2 position

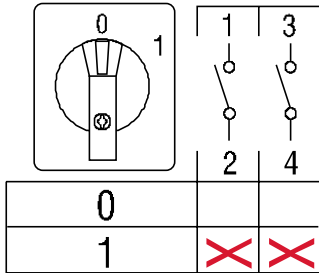
O_A1_



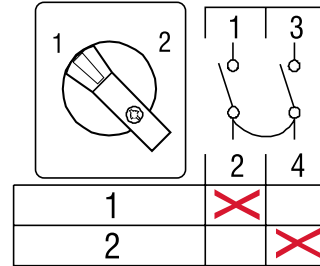
OMSE2PB



O_A2_

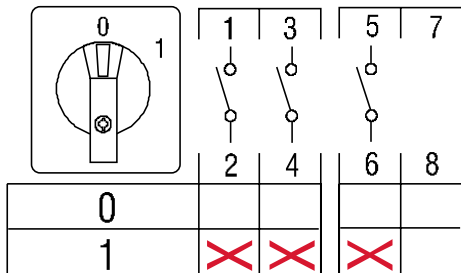


O_WS1_

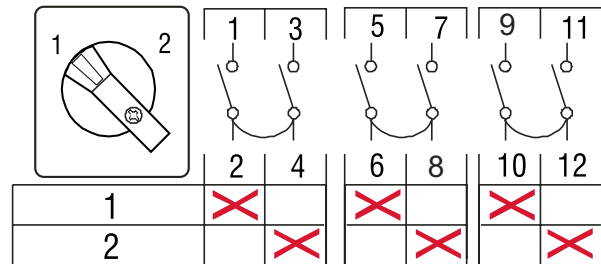


11

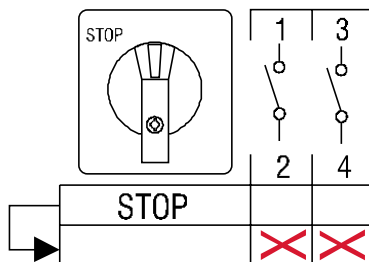
O_A3_



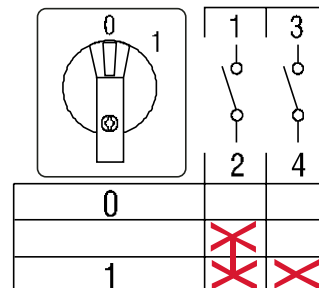
O_WS3_



O_SA2PB

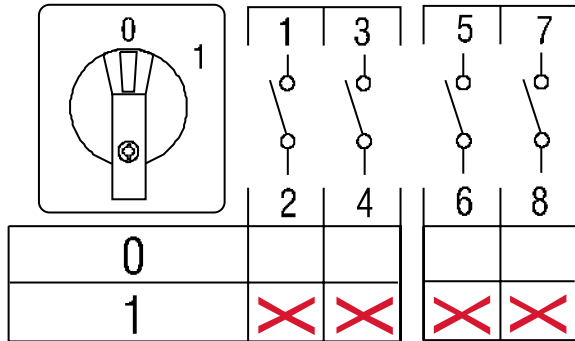


O_SE158_

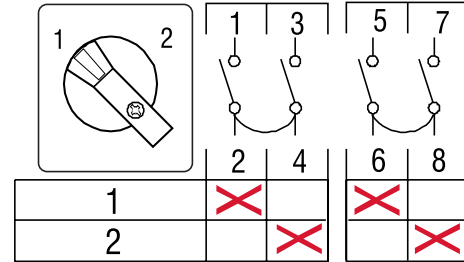


Circuit diagrams 2 position

O_A4

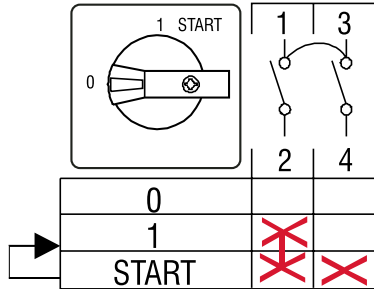


O_WS2_

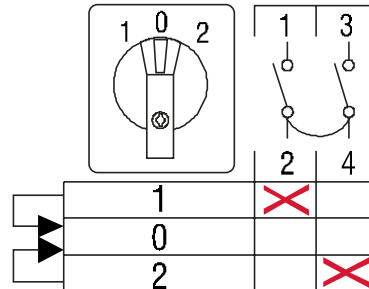


Circuit diagrams 3 position

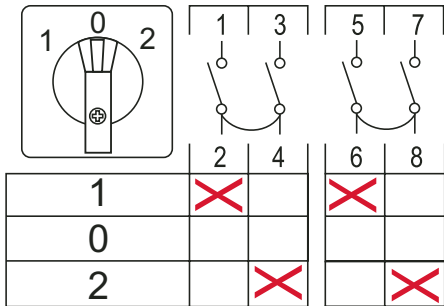
OMSEA10PB



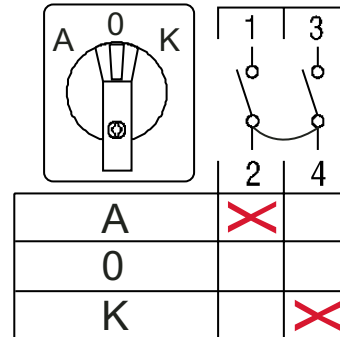
O_NURR1PB – ONURR1M



O_U2_

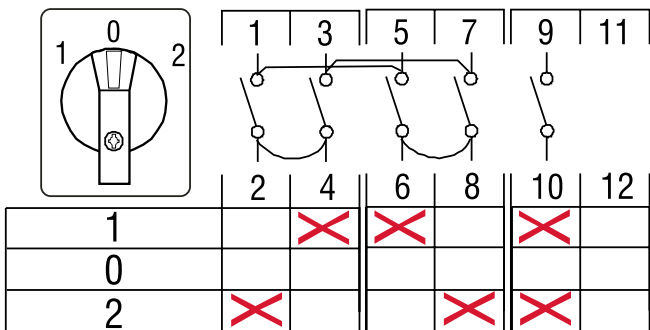


O_U1, O_U1/A-0_K

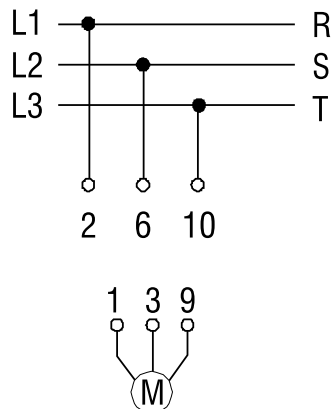
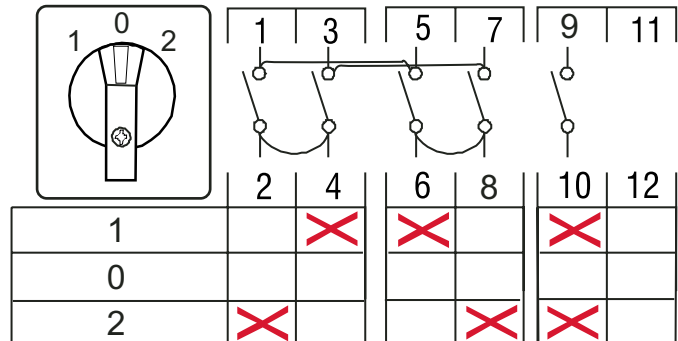


11

ONW3PB



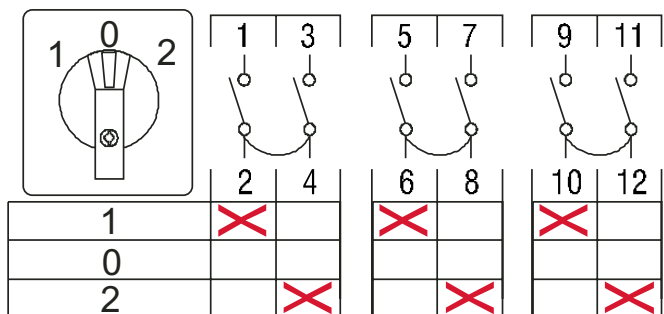
O_W3



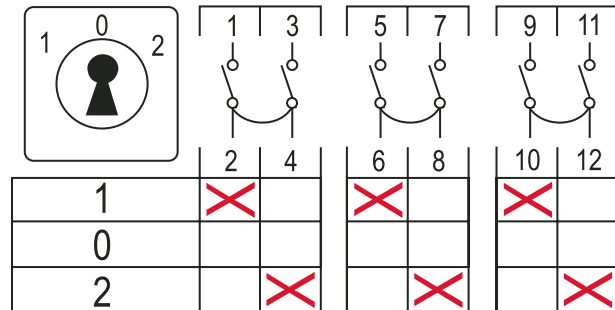
Circuit diagrams 3 position



O_U3PB, ONU3M

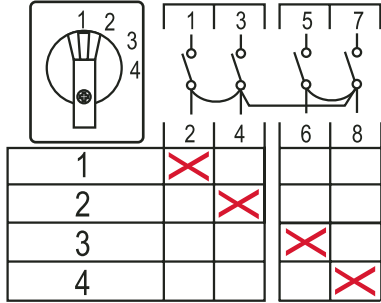


O_U3KB

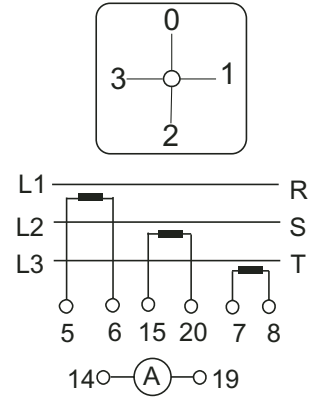


Circuit diagrams 4 position

O_ST41_

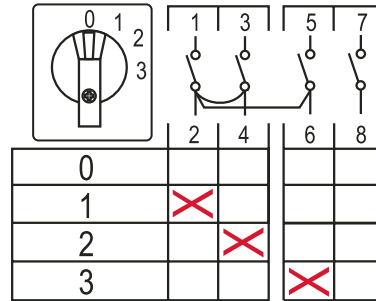
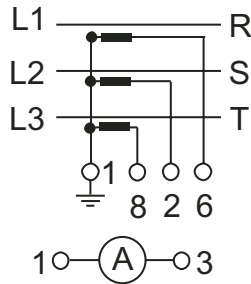
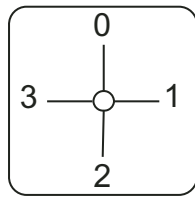


ONAU32_



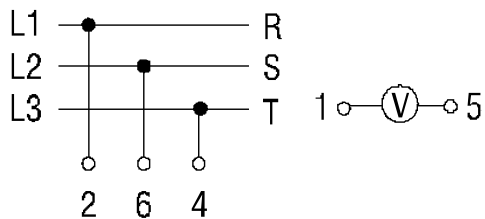
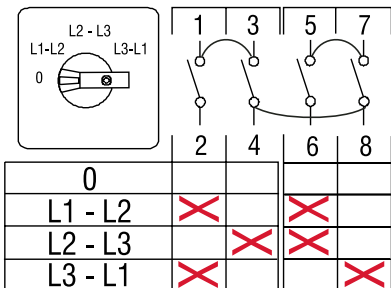
ONAU31_

O_S031_



11

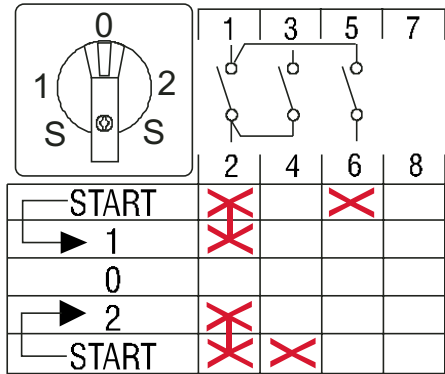
O_V3_



Circuit diagrams 5 position



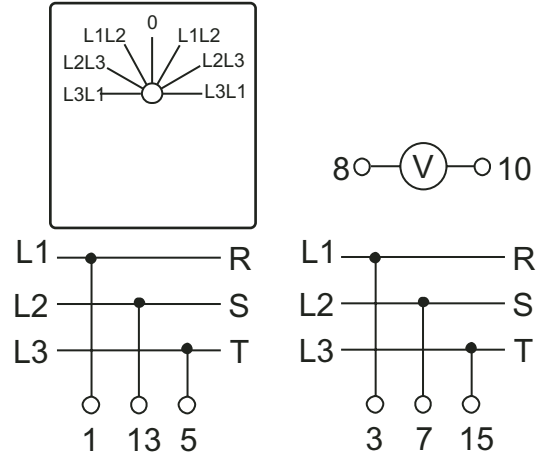
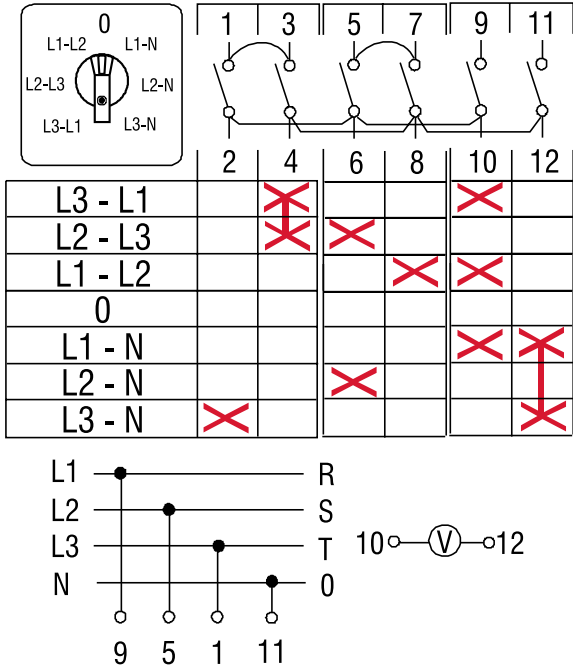
ONUR139



Circuit diagrams 7 position

O_V30_

OMV32PB – ONV32PB





Special Cam Switches, Contact plan

Company _____

Phone/Fax nr. _____

Name _____

Type _____

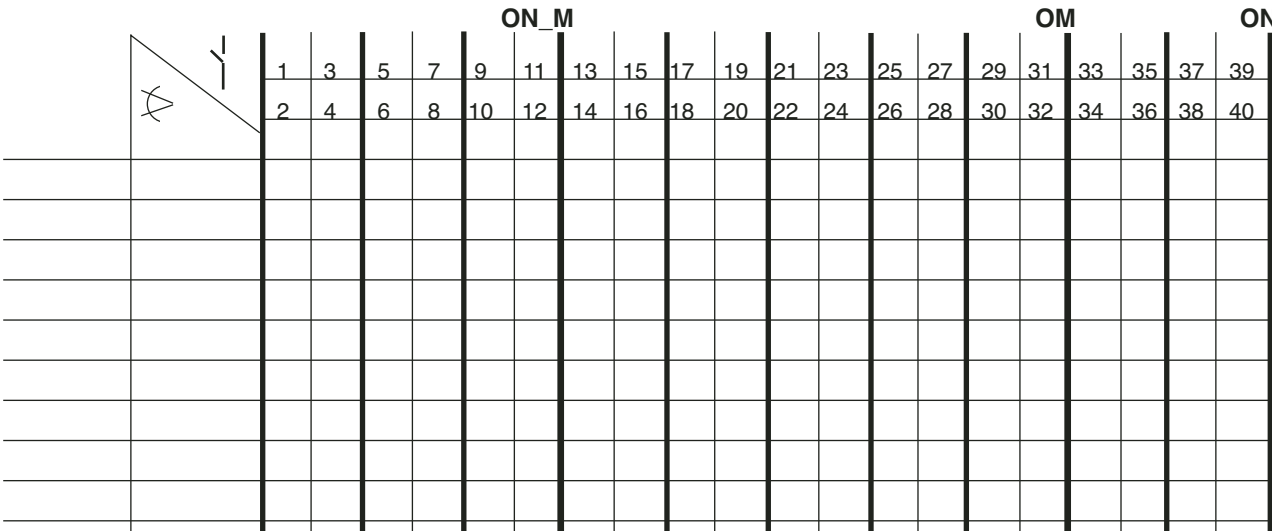
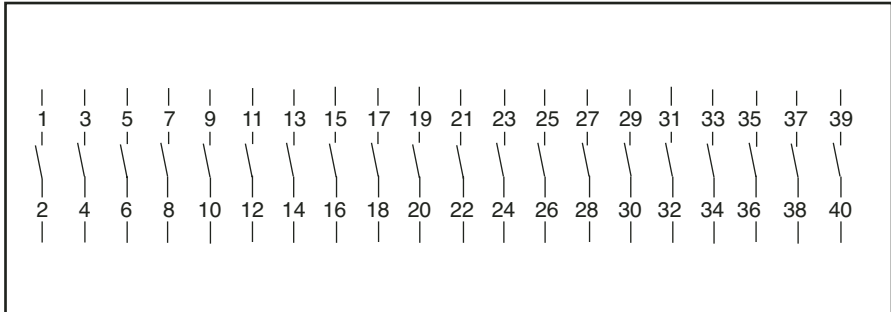
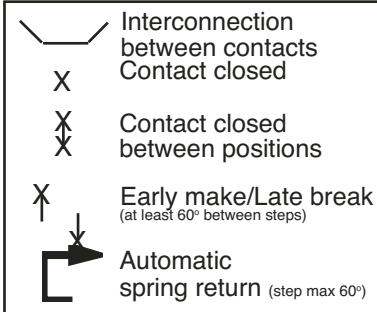
Project number _____

Customer's number _____

Quantity _____ pcs

Handled by: _____

Date _____



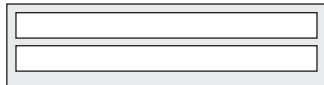
Door mounting

- OM, Miniature
- ON, Normal

Handle:

- Black B
- Grey G
- Key operated

Additional lettering plate



Front plate

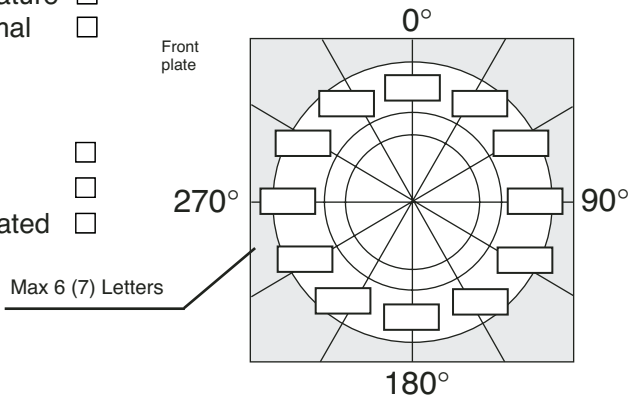
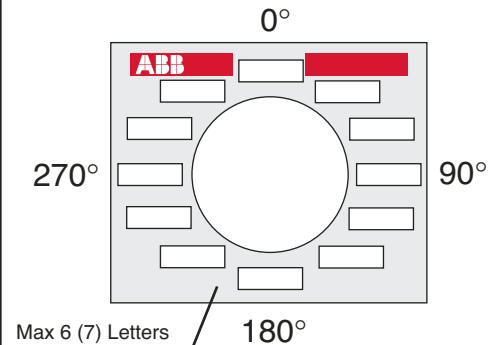


ABB Inc.

Max 20 contacts (ON), 16 contacts (OM)
[Max 6 (7) Letters]

DIN-rail mounting

- ON_M, Modular



Max 3 chambers = 6 contacts
[Max 6 (7) Letters]

11

Contact plan example



Special Cam Switches, Contact plan

Type _____

Project number _____

Customer's number 5375175-C

Quantity: 5 pcs

Handled by: Mr. Smith

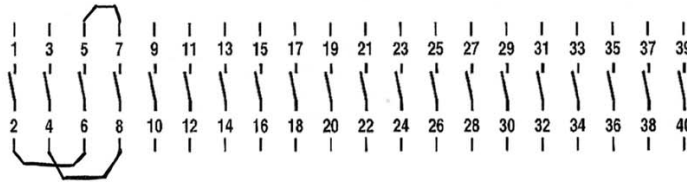
Date: 17.3.2000

Company Company Ltd.

Phone/Fax nr. 010 22 400

Name Mr. Smith

- Interconnection between contacts
- Contact closed
- Contact closed between positions
- Early make/Late break (at least 60° between steps)
- Automatic spring return (step max 60°)



11

	Angle	ON_M										OM										ON																	
		1	3	5	7	9	11	13	15	17	19	21	23	25	27	29	31	33	35	37	39	2	4	6	8	10	12	14	16	18	20	22	24	26	28	30	32	34	36
START	300°		X		X																																		
REVERSE	330°				X																																		
STOP	0																																						
FORWARD	30°				X																																		
START	60°	X		X																																			

Door mounting

- OM, Miniature
- ON, Normal

Handle:

- Black B
- Grey G
- Key operated

Additional lettering plate
Pump for high temp. water

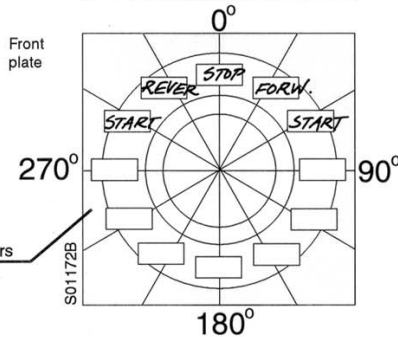
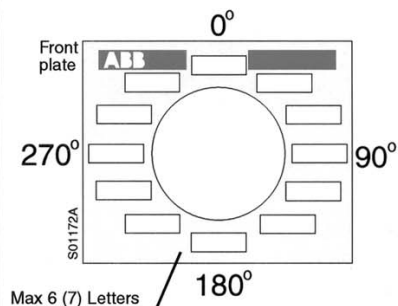


ABB Inc.

Max 20 contacts (ON), 16 contacts (OM)
 [Max 6 (7) Letters]

DIN-rail mounting

- ON_M, Modular



Max 3 chambers = 6 contacts
 [Max 6 (7) Letters]

