

S200 Miniature circuit breakers



System pro M compact Miniature Circuit Breakers S200, S200P, S200U, S200UP



Description

The S2 Series of miniature circuit breakers offer a compact solution to protection requirements. The S2 devices are current limiting, DIN rail mounted and can offer a good equivalent to fused systems.

The S2 is available with application-specific trip characteristics to provide maximum circuit protection. The breakers offer thermal-magnetic trip protection according to B, C, D, K and Z characteristics.

For the worldwide market, the breakers carry UL, CSA, IEC, CE and many other agency approvals and certifications.

Features

- Current limiting
- Fast breaking time (2.5 – 3.5 msec)
- Unique bus connection system
- Wide range of accessories
- Available with variable depth handle mechanism
- Optional Z curve for SCR protection
- CE certified and marked
- DIN rail or front panel mounting
- Finger safe terminals
- Multi-function terminals
- Suitable for reverse feed
- 480Y/277VAC and 500VDC versions
- **UL489 Listed - branch circuit protective device. UL file # E212323**
- **UL1077 Recognized - supplemental protective device. UL file # E76126**

**UL Approved Miniature Molded
Case Circuit Breakers and
Supplemental Protectors**

Spec Tech Industrial 203 Vest Ave. Valley Park, MO 63088 Phone: 888 SPECTECH
Fax: 636 537-1405 www.spectechind.com

General information

Miniature circuit breakers (MCBs) are used throughout the world in all types of electrical installations. ABB MCBs are approved for use by Underwriters Laboratories in systems rated up to 600VAC/VDC. Devices are also certified per CSA.

MCBs are approved per IEC-898 and VDE 0641, and certified under IEC-947 and VDE 0660 standards for use in systems rated up to 690VAC.

MCBs can be applied to 16 2/3Hz – 400Hz and DC power systems.

Special direct current version MCBs include a permanent magnet for DC fault current interruption. These "UC" versions are rated 250/500VDC under UL1077/CSA 22.2 No. 235.

Continuous current ratings are as low as 0.2 amperes and up to 125 amperes maximum.

MCBs are of compact size and can be quickly mounted on standard 35mm DIN rail or can be front mounted by use of a front mounting kit.

MCBs include line and load side terminals for conductors from 18 through 4AWG (0.75 – 25mm²) for 63 amperes.

MCBs can also be connected via busbar conductors which can be either upper or lower mounted for top feed or bottom feed. Dual function terminals allow busbars to be connected with main incoming line conductors without separate lugs.

Accessories

Auxiliary devices can be added to the, S200 series MCBs:

- Shunt trips
- Auxiliary contacts
- Bell alarm contacts
- Aux/bell alarm contacts
- Undervoltage release

Accessory device modules can be field mounted to all above listed ABB MCBs. Auxiliary contacts are also available for the S500 series MCB.

Applications

MCBs can be used for equipment protection, in commercial appliances, protection of control circuits against overcurrent faults, computer equipment and other computer peripheral devices.

UL 489

S200U and S200UP MCBs are listed as molded case circuit breakers for use as branch circuit protective devices. Miniature MCCBs and accessories are listed under UL file E212323.

UL 1077

S200 and S200P MCBs are recognized as supplementary protectors and are intended for use as overcurrent protection within an appliance or other electrical equipment where branch circuit overcurrent protection is already provided or not required. MCBs and accessories are recognized under UL File E76126.

CSA C22.2

MCBs and accessories are certified under CSA C22.2 No. 235 per File LR98793.

Tripping characteristics

Time-current curves

ABB miniature circuit breakers are available with different trip characteristics, allowing for maximum system protection.

B Characteristic

Available with the S200 and S500 series has rated currents of 6 through 63 amperes in 10 steps. The "B" time-current curve is designed primarily for use in cable protection applications. Instantaneous tripping occurs between approximately 3 to 5 times rated current in 50/60Hz systems. This quick trip curve maximizes protection of control circuits under low short circuit fault levels that could damage control wiring.

C Characteristic

Available in the S200 and S500 series with rated currents up through 63 amperes and the S290 series with rated currents of 80, 100 and 125 amperes. The "C" time-current curve is designed for medium magnetic start-up currents. Instantaneous tripping occurs between 5 and 10 times rated current in 50/60 Hz systems.

D Characteristic

The new magnetic trip action has an instantaneous trip between 10 and 20 times the breaker rating. Thus, the S200 and S500-D can be a good protective solution for applications involving high in-rush transformers, motors and other high inductive systems. It is also suitable for any application where a high instantaneous trip point is desired.

K Characteristic

The "K" time-current characteristic considers high magnetic start-up currents from motors, transformers and other equipment. Instantaneous tripping occurs between 8 and 12 times rated current in 50/60Hz systems. The "K" characteristic is available up through 63 amperes.

The "K" curve offers the best protection for the broadest range of electrical systems. The higher magnetic trip settings maximizes protection while allowing for higher in-rush currents during system start-up. Available in S200P, S200U, S200UP and S500.

Z Characteristic

Also available up through 63 amperes, the "Z" characteristic offers instantaneous tripping between 2 and 3 times rated current in 50/60Hz systems. This trip characteristic is available in the S200P, S200U and S200UP series with both the 480Y/277VAC and 250/500VDC ratings.

Many applications require a very low short circuit trip setting in order to protect semiconductor or other sensitive devices and the "Z" trip characteristic may provide maximum protection and service in these applications.

General information

Interruption ratings

Trip characteristics overview

System
pro M compact

Interruption ratings

Voltage	Rated interrupting capacity	Rated current	MCB type	Comment	
120 VAC	10kA	0.5 - 63A	S200-B,C,D		
		0.5 - 63A	S200-K		
		0.2 - 63A	S200P-K, Z		
		0.2 - 63A	S200U-K, Z		
		0.2 - 25A	S200UP-K, Z		
		18kA	32 - 63A	S500-B,C,D	
		26 - 45A	S500-K		
	30kA	6 - 25A	S500-B,C,D		
			0.15 - 25A	S500-K	
240 VAC	6kA	0.5 - 63A	S200-B,C,D	Single pole	
		0.5 - 63A	S200-K	Single pole	
	10kA	0.5 - 63A	S200-B,C,D	Multi pole	
		0.5 - 63A	S200-K	Multi pole	
		0.2 - 63A	S200P-K,Z	Single pole	
		0.2 - 63A	S200P-K,Z	Multi pole	
		0.2 - 63A	S200U-K,Z	Single pole	
		0.2 - 63A	S200U-K,Z	Multi pole	
		0.2 - 25A	S200UP-K,Z	Single pole	
		0.2 - 25A	S200UP-K,Z	Multi pole	
		18kA	32 - 63A	S500-B,C,D	
		26 - 45A	S500-K		
	30kA	6 - 25A	S500-B,C,D		
			0.15 - 25A	S500-K	
277 VAC	6kA	0.5 - 63A	S200-B,C,D		
		0.5 - 63A	S200-K		
	10kA	0.2 - 63A	S200P-K,Z		
		0.2 - 25A	S200UP-K,Z		
480Y/277 VAC	6kA	0.5 - 63A	S200-B,C,D		
		0.5 - 63A	S200-K		
	10kA	0.2 - 63A	S200P-K,Z		
		0.2 - 25A	S200UP-K,Z		
60 VDC	10kA	0.5 - 63A	S200-B,C,D	Single pole	
		0.5 - 63A	S200-K	Single pole	
125 VDC	10kA	0.5 - 63A	S200-B,C,D	Multi pole	
		0.5 - 63A	S200-K	Multi pole	
		0.2 - 63A	S280UC-K,Z	Single pole	
250 VDC	4.5kA	0.2 - 63A	S280UC-K,Z	Single pole	
500 VDC	4.5kA	0.2 - 63A	S280UC-K,Z	Multi pole	

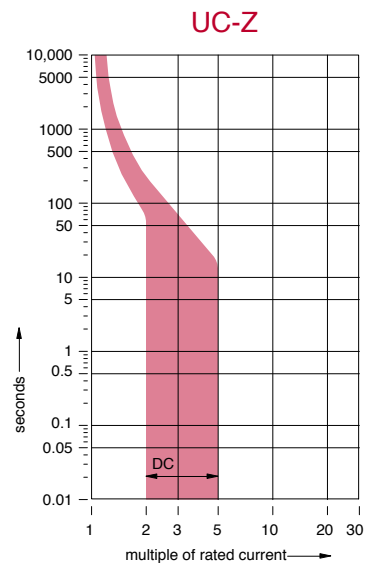
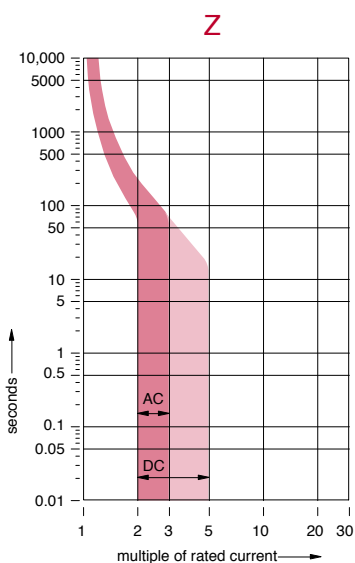
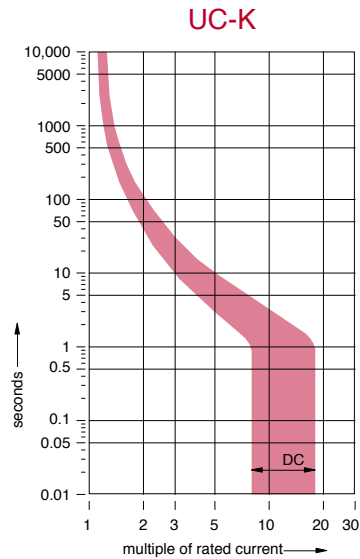
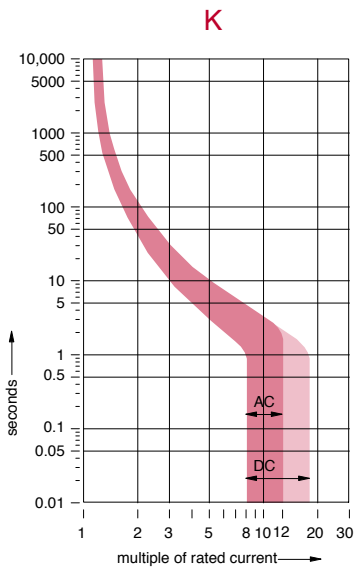
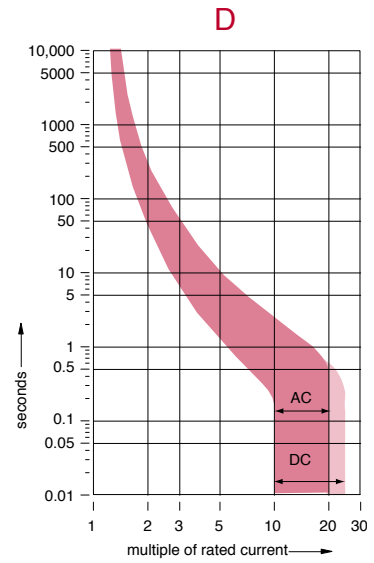
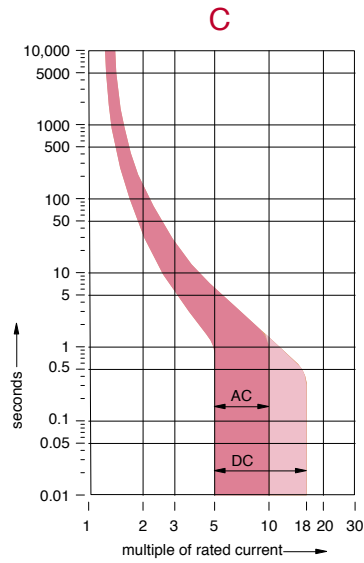
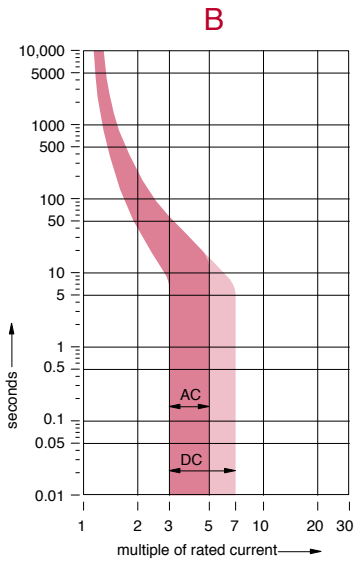
Trip characteristics overview

Curve	Magnetic characteristic ①	Thermal characteristic	Series
B	3 - 5X	1.25X	S200, S500
C	5 - 10X	1.25X	S200, S290, S500
D	10 - 20X	1.25X	S200, S500
K	8 - 12X	1.05X	S200, S500
Z	2 - 3X	1.05X	S200

① All values are relative to MCB's ampere rating.

General information

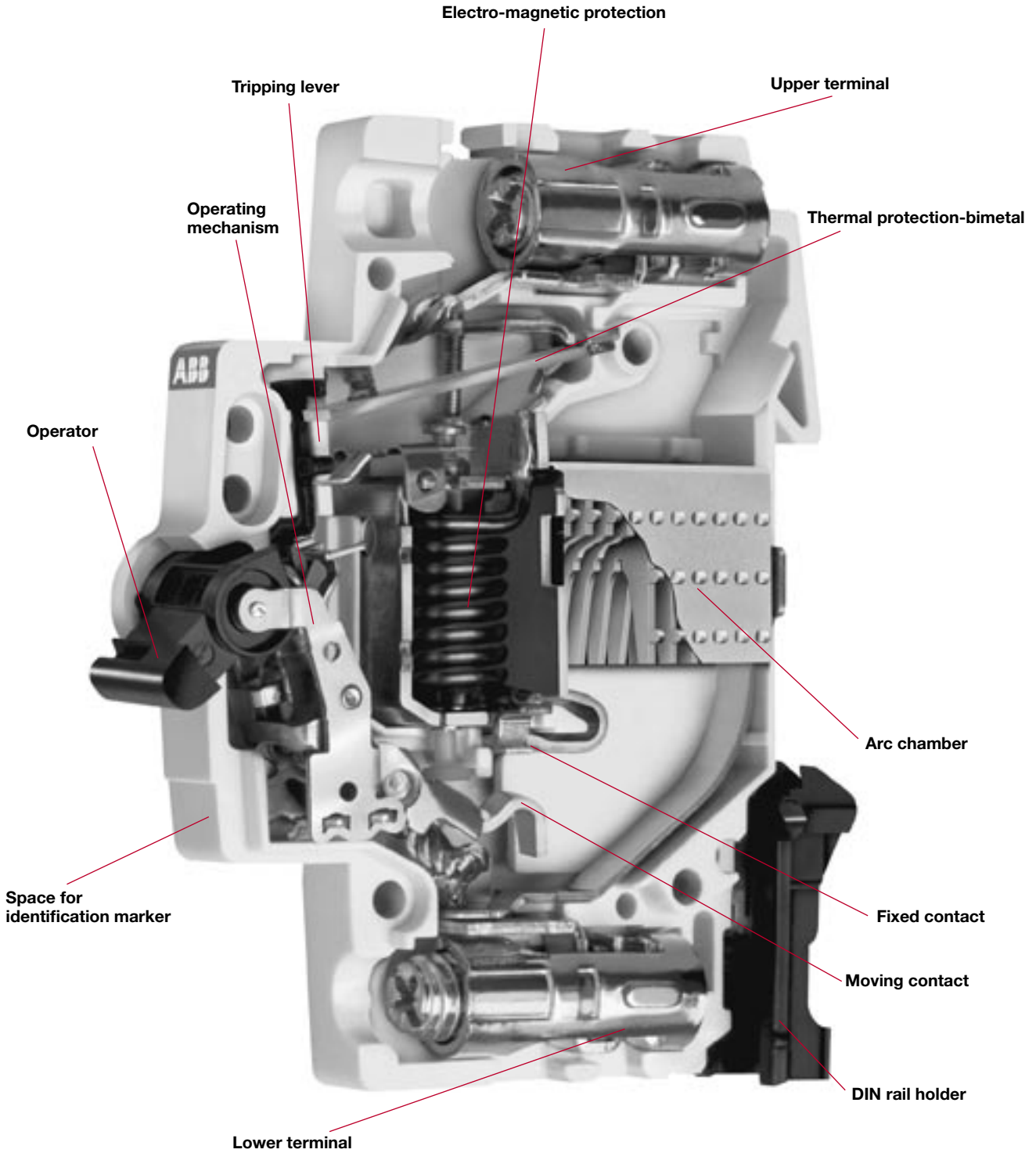
Tripping curves

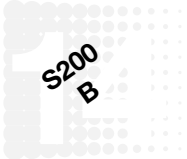


14

General information

Construction details





S200

480Y/277 VAC

Supplemental Protectors

B UL 1077 CSA C22.2 No. 235
 VDE 0641 IEC-898
 Cable protection



Rated current	Catalog number	List price	Delivery class	Sugg. order qty	Wgt. oz. (1 pc.)
1 pole					
6	S201-B6	\$ 36			
10	S201-B10	36			
13	S201-B13	36			
16	S201-B16	36			
20	S201-B20	38	A	10	4.5
25	S201-B25	38			
32	S201-B32	40			
40	S201-B40	42			
50	S201-B50	48			
63	S201-B63	56			

Rated current	Catalog number	List price	Delivery class	Sugg. order qty	Wgt. oz. (1 pc.)
1 pole + neutral					
6	S201-B6NA	62			
10	S201-B10NA	62			
13	S201-B13NA	62			
16	S201-B16NA	62			
20	S201-B20NA	68	B	5	9.0
25	S201-B25NA	72			
32	S201-B32NA	74			
40	S201-B40NA	76			
50	S201-B50NA	90			
63	S201-B63NA	102			

Rated current	Catalog number	List price	Delivery class	Sugg. order qty	Wgt. oz. (1 pc.)
2 pole					
6	S202-B6	78			
10	S202-B10	78			
13	S202-B13	78			
16	S202-B16	78			
20	S202-B20	86	A	5	9.0
25	S202-B25	88			
32	S202-B32	94			
40	S202-B40	98			
50	S202-B50	112			
63	S202-B63	128			

Rated current	Catalog number	List price	Delivery class	Sugg. order qty	Wgt. oz. (1 pc.)
3 pole					
6	S203-B6	\$ 118			
10	S203-B10	118			
13	S203-B13	118			
16	S203-B16	118			
20	S203-B20	130	A	1	13.5
25	S203-B25	132			
32	S203-B32	142			
40	S203-B40	148			
50	S203-B50	170			
63	S203-B63	194			

Rated current	Catalog number	List price	Delivery class	Sugg. order qty	Wgt. oz. (1 pc.)
3 pole + neutral					
6	S203-B6NA	142			
10	S203-B10NA	142			
13	S203-B13NA	142			
16	S203-B16NA	142			
20	S203-B20NA	162	B	1	18.0
25	S203-B25NA	168			
32	S203-B32NA	176			
40	S203-B40NA	184			
50	S203-B50NA	212			
63	S203-B63NA	240			

Rated current	Catalog number	List price	Delivery class	Sugg. order qty	Wgt. oz. (1 pc.)
4 pole					
6	S204-B6	156			
10	S204-B10	156			
13	S204-B13	156			
16	S204-B16	156			
20	S204-B20	172	B	1	18.0
25	S204-B25	176			
32	S204-B32	188			
40	S204-B40	196			
50	S204-B50	224			
63	S204-B63	256			

Delivery Class

A - Standard item, stock to 2 weeks lead time

B - Stock to 4 weeks lead time

C - 6 to 8 week lead time

S200

480Y/277 VAC

Supplemental Protectors



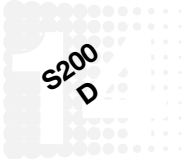
C UL 1077 CSA C22.2 - NO. 235
VDE 0641 IEC-898
Cable & equipment protection



Rated current	Catalog number	List price	Delivery class	Sugg. order qty	Wgt. oz. (1 pc.)	Rated current	Catalog number	List price	Delivery class	Sugg. order qty	Wgt. oz. (1 pc.)
1 pole						3 pole					
0.5	S201-C0.5	\$ 42				0.5	S203-C0.5	\$ 138			
1	S201-C1	42				1	S203-C1	138			
1.6	S201-C1.6	42				1.6	S203-C1.6	138			
2	S201-C2	42				2	S203-C2	138			
3	S201-C3	42				3	S203-C3	138			
4	S201-C4	42				4	S203-C4	138			
6	S201-C6	42				6	S203-C6	138			
8	S201-C8	42				8	S203-C8	138			
10	S201-C10	42	A	10	4.5	10	S203-C10	138	A	1	13.5
13	S201-C13	42				13	S203-C13	138			
16	S201-C16	42				16	S203-C16	138			
20	S201-C20	42				20	S203-C20	138			
25	S201-C25	46				25	S203-C25	156			
32	S201-C32	48				32	S203-C32	158			
40	S201-C40	52				40	S203-C40	174			
50	S201-C50	60				50	S203-C50	200			
63	S201-C63	68				63	S203-C63	228			
1 pole + neutral						3 pole + neutral					
0.5	S201-C0.5NA	84				0.5	S203-C0.5NA	200			
1	S201-C1NA	84				1	S203-C1NA	200			
1.6	S201-C1.6NA	84				1.6	S203-C1.6NA	200			
2	S201-C2NA	84				2	S203-C2NA	200			
3	S201-C3NA	84				3	S203-C3NA	200			
4	S201-C4NA	84				4	S203-C4NA	200			
6	S201-C6NA	84				6	S203-C6NA	200			
8	S201-C8NA	84				8	S203-C8NA	200			
10	S201-C10NA	84	B	5	9.0	10	S203-C10NA	200	B	1	18.0
13	S201-C13NA	84				13	S203-C13NA	200			
16	S201-C16NA	84				16	S203-C16NA	200			
20	S201-C20NA	84				20	S203-C20NA	200			
25	S201-C25NA	88				25	S203-C25NA	206			
32	S201-C32NA	90				32	S203-C32NA	212			
40	S201-C40NA	96				40	S203-C40NA	224			
50	S201-C50NA	112				50	S203-C50NA	204			
63	S201-C63NA	130				63	S203-C63NA	304			
2 pole						4 pole					
0.5	S202-C0.5	96				0.5	S204-C0.5	218			
1	S202-C1	96				1	S204-C1	218			
1.6	S202-C1.6	96				1.6	S204-C1.6	218			
2	S202-C2	96				2	S204-C2	218			
3	S202-C3	96				3	S204-C3	218			
4	S202-C4	96				4	S204-C4	218			
6	S202-C6	96				6	S204-C6	218			
8	S202-C8	96				8	S204-C8	218			
10	S202-C10	96	A	5	9.0	10	S204-C10	218	B	1	18.0
13	S202-C13	96				13	S204-C13	218			
16	S202-C16	96				16	S204-C16	218			
20	S202-C20	96				20	S204-C20	218			
25	S202-C25	106				25	S204-C25	234			
32	S202-C32	106				32	S204-C32	238			
40	S202-C40	116				40	S204-C40	260			
50	S202-C50	136				50	S204-C50	300			
63	S202-C63	152				63	S204-C63	338			

Delivery Class

A - Standard item, stock to 2 weeks lead time
B - Stock to 4 weeks lead time
C - 6 to 8 week lead time



S200 480Y/277 VAC Supplemental Protectors

D UL 1077 CSA C22.2
VDE 0641 IEC-898
Cable & equipment protection



S201-D, 1 pole



S202-D, 2 pole



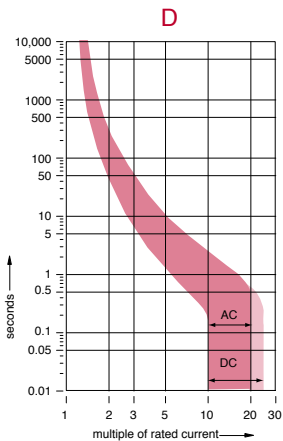
S203-D, 3 pole

Rated current	Catalog number	List price	Delivery class	Sugg. order qty	Wgt. oz. (1 pc.)
1 pole					
0.5	S201-D0.5	\$ 42			
1	S201-D1	42			
1.6	S201-D1.6	42			
2	S201-D2	42			
3	S201-D3	42			
4	S201-D4	42			
6	S201-D6	42			
8	S201-D8	42			
10	S201-D10	42	A	10	4.5
13	S201-D13	42			
16	S201-D16	42			
20	S201-D20	42			
25	S201-D25	46			
32	S201-D32	48			
40	S201-D40	52			
50	S201-D50	60			
63	S201-D63	68			

Rated current	Catalog number	List price	Delivery class	Sugg. order qty	Wgt. oz. (1 pc.)
3 pole					
0.5	S203-D0.5	\$ 138			
1	S203-D1	138			
1.6	S203-D1.6	138			
2	S203-D2	138			
3	S203-D3	138			
4	S203-D4	138			
6	S203-D6	138			
8	S203-D8	138	A	1	13.5
10	S203-D10	138			
13	S203-D13	138			
16	S203-D16	138			
20	S203-D20	138			
25	S203-D25	156			
32	S203-D32	158			
40	S203-D40	174			
50	S203-D50	200			
63	S203-D63	228			

Rated current	Catalog number	List price	Delivery class	Sugg. order qty	Wgt. oz. (1 pc.)
2 pole					
0.5	S202-D0.5	96			
1	S202-D1	96			
1.6	S202-D1.6	96			
2	S202-D2	96			
3	S202-D3	96			
4	S202-D4	96			
6	S202-D6	96			
8	S202-D8	96	A	5	9.0
10	S202-D10	96			
13	S202-D13	96			
16	S202-D16	96			
20	S202-D20	96			
25	S202-D25	106			
32	S202-D32	106			
40	S202-D40	116			
50	S202-D50	136			
63	S202-D63	152			

14



S200

480Y/277 VAC

Supplemental Protectors



K UL 1077 CSA C22.2 - NO. 235
 VDE 0641 IEC-898
 Cable & equipment protection



Rated current	Catalog number	List price	Delivery class	Sugg. order qty	Wgt. oz. (1 pc.)
1 pole					
0.5	S201-K0.5	\$ 42			
1	S201-K1	42			
1.6	S201-K1.6	42			
2	S201-K2	42			
3	S201-K3	42			
4	S201-K4	42			
5	S201-K5	42			
6	S201-K6	42			
8	S201-K8	42			
10	S201-K10	42			
13	S201-K13	42	A	10	4.5
15	S201-K15	42			
16	S201-K16	42			
20	S201-K20	42			
25	S201-K25	46			
30	S201-K30	48			
32	S201-K32	48			
40	S201-K40	52			
50	S201-K50	60			
60	S201-K60	68			
63	S201-K63	68			

Rated current	Catalog number	List price	Delivery class	Sugg. order qty	Wgt. oz. (1 pc.)
1 pole + neutral					
0.5	S201-K0.5NA	84			
1	S201-K1NA	84			
1.6	S201-K1.6NA	84			
2	S201-K2NA	84			
3	S201-K3NA	84			
4	S201-K4NA	84			
6	S201-K6NA	84			
8	S201-K8NA	84			
10	S201-K10NA	84	B	5	9.0
13	S201-K13NA	84			
16	S201-K16NA	84			
20	S201-K20NA	84			
25	S201-K25NA	88			
32	S201-K32NA	90			
40	S201-K40NA	96			
50	S201-K50NA	112			
63	S201-K63NA	130			

Rated current	Catalog number	List price	Delivery class	Sugg. order qty	Wgt. oz. (1 pc.)
2 pole					
0.5	S202-K0.5	96			
1	S202-K1	96			
1.6	S202-K1.6	96			
2	S202-K2	96			
3	S202-K3	96			
4	S202-K4	96			
5	S202-K5	96			
6	S202-K6	96			
8	S202-K8	96			
10	S202-K10	96			
13	S202-K13	96	A	5	9.0
15	S202-K15	96			
16	S202-K16	96			
20	S202-K20	96			
25	S202-K25	106			
30	S202-K30	106			
32	S202-K32	106			
40	S202-K40	116			
50	S202-K50	136			
60	S202-K60	152			
63	S202-K63	152			

Rated current	Catalog number	List price	Delivery class	Sugg. order qty	Wgt. oz. (1 pc.)
3 pole					
0.5	S203-K0.5	\$ 138			
1	S203-K1	138			
1.6	S203-K1.6	138			
2	S203-K2	138			
3	S203-K3	138			
4	S203-K4	138			
5	S203-K5	138			
6	S203-K6	138			
8	S203-K8	138			
10	S203-K10	138			
13	S203-K13	138	A	1	13.5
15	S203-K15	138			
16	S203-K16	138			
20	S203-K20	138			
25	S203-K25	156			
30	S203-K30	158			
32	S203-K32	158			
40	S203-K40	174			
50	S203-K50	200			
60	S203-K60	228			
63	S203-K63	228			

Rated current	Catalog number	List price	Delivery class	Sugg. order qty	Wgt. oz. (1 pc.)
3 pole + neutral					
0.5	S203-K0.5NA	200			
1	S203-K1NA	200			
1.6	S203-K1.6NA	200			
2	S203-K2NA	200			
3	S203-K3NA	200			
4	S203-K4NA	200			
6	S203-K6NA	200			
8	S203-K8NA	200			
10	S203-K10NA	200	B	1	18.0
13	S203-K13NA	200			
16	S203-K16NA	200			
20	S203-K20NA	200			
25	S203-K25NA	206			
32	S203-K32NA	212			
40	S203-K40NA	224			
50	S203-K50NA	264			
63	S203-K63NA	304			

Rated current	Catalog number	List price	Delivery class	Sugg. order qty	Wgt. oz. (1 pc.)
4 pole					
0.5	S204-K0.5	218			
1	S204-K1	218			
1.6	S204-K1.6	218			
2	S204-K2	218			
3	S204-K3	218			
4	S204-K4	218			
6	S204-K6	218			
8	S204-K8	218			
10	S204-K10	218	B	1	18.0
13	S204-K13	218			
16	S204-K16	218			
20	S204-K20	218			
25	S204-K25	234			
32	S204-K32	238			
40	S204-K40	260			
50	S204-K50	300			
63	S204-K63	338			

Delivery Class
A - Standard item, stock to 2 weeks lead time
B - Stock to 4 weeks lead time
C - 6 to 8 week lead time



S200P

480Y/277 VAC

Supplemental Protectors

K UL 1077 CSA C22.2 - NO. 235
VDE 0660
Cable & equipment protection



S201P-K, 1 pole



S202P-K, 2 pole



S203P-K, 3 pole

Rated current	Catalog number	List price	Delivery class	Sugg. order qty	Wgt. oz. (1 pc.)
1 pole					
0.2	S201P-K0.2	\$ 54			
0.3	S201P-K0.3	54			
0.5	S201P-K0.5	54			
0.75	S201P-K0.75	54			
1	S201P-K1	54			
1.6	S201P-K1.6	54			
2	S201P-K2	54			
3	S201P-K3	54			
4	S201P-K4	54			
6	S201P-K6	54			
8	S201P-K8	54	A	10	4.6
10	S201P-K10	54			
13	S201P-K13	54			
16	S201P-K16	54			
20	S201P-K20	54			
25	S201P-K25	56			
32	S201P-K32	58			
40	S201P-K40	64			
50	S201P-K50	70			
63	S201P-K63	80			

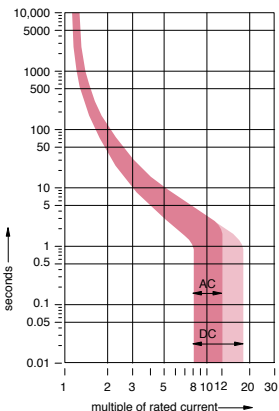
Rated current	Catalog number	List price	Delivery class	Sugg. order qty	Wgt. oz. (1 pc.)
2 pole					
0.2	S202P-K0.2	128			
0.3	S202P-K0.3	128			
0.5	S202P-K0.5	128			
0.75	S202P-K0.75	128			
1	S202P-K1	128			
1.6	S202P-K1.6	128			
2	S202P-K2	128			
3	S202P-K3	128			
4	S202P-K4	128			
6	S202P-K6	128	A	5	9.2
8	S202P-K8	128			
10	S202P-K10	128			
13	S202P-K13	128			
16	S202P-K16	128			
20	S202P-K20	128			
25	S202P-K25	130			
32	S202P-K32	134			
40	S202P-K40	134			
50	S202P-K50	162			
63	S202P-K63	182			

Rated current	Catalog number	List price	Delivery class	Sugg. order qty	Wgt. oz. (1 pc.)
3 pole					
0.2	S203P-K0.2	\$ 194			
0.3	S203P-K0.3	194			
0.5	S203P-K0.5	194			
0.75	S203P-K0.75	194			
1	S203P-K1	194			
1.6	S203P-K1.6	194			
2	S203P-K2	194			
3	S203P-K3	194			
4	S203P-K4	194			
6	S203P-K6	194	A	1	13.9
8	S203P-K8	194			
10	S203P-K10	194			
13	S203P-K13	194			
16	S203P-K16	194			
20	S203P-K20	194			
25	S203P-K25	196			
32	S203P-K32	200			
40	S203P-K40	214			
50	S203P-K50	246			
63	S203P-K63	280			

Delivery Class

- A** - Standard item, stock to 2 weeks lead time
- B** - Stock to 4 weeks lead time
- C** - 6 to 8 week lead time

K



S280 (W) 480Y/277 VAC Supplemental Protectors

S280
KW

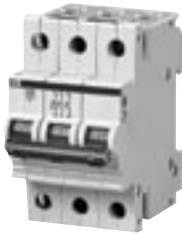
K UL 1077 CSA C22.2 - NO. 235
VDE 0660
Cable & equipment protection



S281-KW, 1 pole



S282-KW, 2 pole



S283-KW, 3 pole

Rated current	Catalog number	List price	Delivery class	Sugg. order qty	Wgt. oz. (1 pc.)
1 pole					
0.2	S281-K0.2W	\$ 54			
0.3	S281-K0.3W	54			
0.5	S281-K0.5W	54			
0.75	S281-K0.75W	54			
1	S281-K1W	54			
1.6	S281-K1.6W	54			
2	S281-K2W	54			
3	S281-K3W	54			
4	S281-K4W	54			
6	S281-K6W	54			
8	S281-K8W	54	B	10	4.6
10	S281-K10W	54			
13	S281-K13W	54			
16	S281-K16W	54			
20	S281-K20W	54			
25	S281-K25W	56			
32	S281-K32W	58			
40	S281-K40W	64			
50	S281-K50W	70			
63	S281-K63W	80			

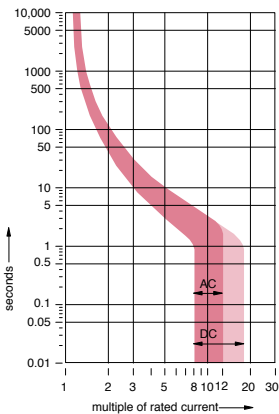
Rated current	Catalog number	List price	Delivery class	Sugg. order qty	Wgt. oz. (1 pc.)
3 pole					
0.2	S283-K0.2W	\$ 194			
0.3	S283-K0.3W	194			
0.5	S283-K0.5W	194			
0.75	S283-K0.75W	194			
1	S283-K1W	194			
1.6	S283-K1.6W	194			
2	S283-K2W	194			
3	S283-K3W	194			
4	S283-K4W	194			
6	S283-K6W	194	B	3	13.9
8	S283-K8W	194			
10	S283-K10W	194			
13	S283-K13W	194			
16	S283-K16W	194			
20	S283-K20W	194			
25	S283-K25W	196			
32	S283-K32W	200			
40	S283-K40W	214			
50	S283-K50W	246			
63	S283-K63W	280			

Rated current	Catalog number	List price	Delivery class	Sugg. order qty	Wgt. oz. (1 pc.)
2 pole					
0.2	S282-K0.2W	128			
0.3	S282-K0.3W	128			
0.5	S282-K0.5W	128			
0.75	S282-K0.75W	128			
1	S282-K1W	128			
1.6	S282-K1.6W	128			
2	S282-K2W	128			
3	S282-K3W	128			
4	S282-K4W	128			
6	S282-K6W	128	B	5	9.2
8	S282-K8W	128			
10	S282-K10W	128			
13	S282-K13W	128			
16	S282-K16W	128			
20	S282-K20W	128			
25	S282-K25W	130			
32	S282-K32W	134			
40	S282-K40W	134			
50	S282-K50W	162			
63	S282-K63W	182			

Delivery Class

- A** - Standard item, stock to 2 weeks lead time
- B** - Stock to 4 weeks lead time
- C** - 6 to 8 week lead time

K



For use with ring tongue terminal connectors

S280UC

500 VDC

Supplemental Protectors

K UL 1077 VDE 0660
CSA 22.2 No. 235
Cable and Equipment Protection



S281UC-K, 1 pole



S282UC-K, 2 pole



S283UC-K, 3 pole

Rated current	Catalog number	List price	Delivery class	Sugg. order qty	Wgt. oz. (1 pc.)
1 pole					
0.2	S281UC-K0.2	\$ 104			
0.3	S281UC-K0.3	104			
0.5	S281UC-K0.5	104			
0.75	S281UC-K0.75	104			
1	S281UC-K1	104			
1.6	S281UC-K1.6	104			
2	S281UC-K2	104			
3	S281UC-K3	104			
4	S281UC-K4	104			
6	S281UC-K6	104	B	10	4.6
8	S281UC-K8	104			
10	S281UC-K10	104			
16	S281UC-K16	104			
20	S281UC-K20	104			
25	S281UC-K25	108			
32	S281UC-K32	110			
40	S281UC-K40	116			
50	S281UC-K50	136			
63	S281UC-K63	152			

Rated current	Catalog number	List price	Delivery class	Sugg. order qty	Wgt. oz. (1 pc.)
2 pole					
0.2	S282UC-K0.2	242			
0.3	S282UC-K0.3	242			
0.5	S282UC-K0.5	242			
0.75	S282UC-K0.75	242			
1	S282UC-K1	242			
1.6	S282UC-K1.6	242			
2	S282UC-K2	242			
3	S282UC-K3	242			
4	S282UC-K4	242	B	5	9.2
6	S282UC-K6	242			
8	S282UC-K8	242			
10	S282UC-K10	242			
16	S282UC-K16	242			
20	S282UC-K20	242			
25	S282UC-K25	248			
32	S282UC-K32	256			
40	S282UC-K40	266			
50	S282UC-K50	312			
63	S282UC-K63	348			

Rated current	Catalog number	List price	Delivery class	Sugg. order qty	Wgt. oz. (1 pc.)
3 pole					
0.2	S283UC-K0.2	\$ 370			
0.3	S283UC-K0.3	370			
0.5	S283UC-K0.5	370			
0.75	S283UC-K0.75	370			
1	S283UC-K1	370			
1.6	S283UC-K1.6	370			
2	S283UC-K2	370			
3	S283UC-K3	370			
4	S283UC-K4	370	B	3	13.9
6	S283UC-K6	370			
8	S283UC-K8	370			
10	S283UC-K10	370			
16	S283UC-K16	370			
20	S283UC-K20	370			
25	S283UC-K25	382			
32	S283UC-K32	408			
40	S283UC-K40	448			
50	S283UC-K50	472			
63	S283UC-K63	534			

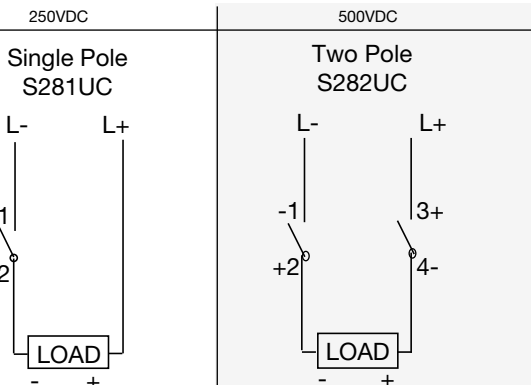
Delivery Class

- A** - Standard item, stock to 2 weeks lead time
- B** - Stock to 4 weeks lead time
- C** - 6 to 8 week lead time

Direct current applications

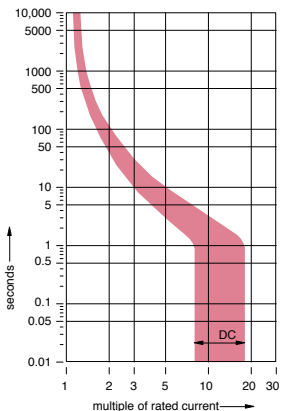
The S280UC differs from standard miniature circuit breakers in that the UC versions include a permanent magnet which aids in the extinguishing of the arc during medium and high level faults. It is necessary to observe the correct polarity and current direction when connecting the UC breakers. Two examples of correct connection are shown below.

Maximum voltage between leads



Termination points are marked on all UC type MCBs, points one (1) and four (4) are negative and points two (2) and three (3) are positive. Four pole breakers are also available for voltage reversal applications.

UC-K



S200P & S280UC

480Y/277 VAC & 500 VDC

Supplemental Protectors

S200P
S280UC
Z

Z UL 1077 VDE 0660
CSA 22.2 No. 235
Fast trip characteristic



S201P-Z, 1 pole



S202P-Z, 2 pole



S203P-Z, 3 pole

480Y/277 VAC

Rated current	Catalog number	List price	Delivery class	Sugg. order qty	Wgt. oz. (1 pc.)
1 pole					
0.5	S201P-Z0.5	\$ 70			
1	S201P-Z1	70			
1.6	S201P-Z1.6	70			
2	S201P-Z2	70			
3	S201P-Z3	70			
4	S201P-Z4	70			
6	S201P-Z6	70			
8	S201P-Z8	70	B	10	4.5
10	S201P-Z10	70			
16	S201P-Z16	70			
20	S201P-Z20	70			
25	S201P-Z25	70			
32	S201P-Z32	74			
40	S201P-Z40	78			
50	S201P-Z50	88			
63	S201P-Z63	100			

2 pole					
0.5	S202P-Z0.5	162			
1	S202P-Z1	162			
1.6	S202P-Z1.6	162			
2	S202P-Z2	162			
3	S202P-Z3	162			
4	S202P-Z4	162			
6	S202P-Z6	162			
8	S202P-Z8	162	B	5	9.2
10	S202P-Z10	162			
16	S202P-Z16	162			
20	S202P-Z20	162			
25	S202P-Z25	170			
32	S202P-Z32	170			
40	S202P-Z40	176			
50	S202P-Z50	206			
63	S202P-Z63	232			

3 pole					
0.5	S203P-Z0.5	244			
1	S203P-Z1	244			
1.6	S203P-Z1.6	244			
2	S203P-Z2	244			
3	S203P-Z3	244			
4	S203P-Z4	244			
6	S203P-Z6	244			
8	S203P-Z8	244	B	1	13.9
10	S203P-Z10	244			
16	S203P-Z16	244			
20	S203P-Z20	244			
25	S203P-Z25	248			
32	S203P-Z32	254			
40	S203P-Z40	266			
50	S203P-Z50	306			
63	S203P-Z63	344			

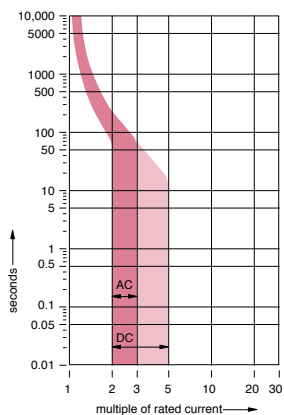
500 VDC

Rated current	Catalog number	List price	Delivery class	Sugg. order qty	Wgt. oz. (1 pc.)
1 pole					
0.5	S281UC-Z0.5	\$ 168			
1	S281UC-Z1	168			
1.6	S281UC-Z1.6	168			
2	S281UC-Z2	168			
3	S281UC-Z3	168			
4	S281UC-Z4	168			
6	S281UC-Z6	168			
8	S281UC-Z8	168	B	10	4.6
10	S281UC-Z10	168			
16	S281UC-Z16	168			
20	S281UC-Z20	168			
25	S281UC-Z25	170			
32	S281UC-Z32	176			
40	S281UC-Z40	188			
50	S281UC-Z50	216			
63	S281UC-Z63	242			

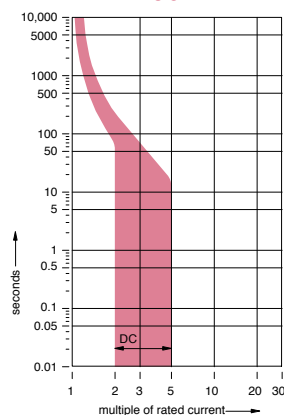
2 pole					
0.5	S282UC-Z0.5	390			
1	S282UC-Z1	390			
1.6	S282UC-Z1.6	390			
2	S282UC-Z2	390			
3	S282UC-Z3	390			
4	S282UC-Z4	390			
6	S282UC-Z6	390			
8	S282UC-Z8	390	B	5	9.2
10	S282UC-Z10	390			
16	S282UC-Z16	390			
20	S282UC-Z20	390			
25	S282UC-Z25	398			
32	S282UC-Z32	410			
40	S282UC-Z40	426			
50	S282UC-Z50	498			
63	S282UC-Z63	558			

3 pole					
0.5	S283UC-Z0.5	594			
1	S283UC-Z1	594			
1.6	S283UC-Z1.6	594			
2	S283UC-Z2	594			
3	S283UC-Z3	594			
4	S283UC-Z4	594			
6	S283UC-Z6	594			
8	S283UC-Z8	594	B	3	13.9
10	S283UC-Z10	594			
16	S283UC-Z16	594			
20	S283UC-Z20	594			
25	S283UC-Z25	603			
32	S283UC-Z32	612			
40	S283UC-Z40	657			
50	S283UC-Z50	756			
63	S283UC-Z63	855			

Z



UC-Z



Delivery Class

- A** - Standard item, stock to 2 weeks lead time
- B** - Stock to 4 weeks lead time
- C** - 6 to 8 week lead time

14



S200U

240 VAC

Miniature MCCBs

K UL 489 CSA C22.2 - NO. 5
VDE 0660
Cable & equipment protection



Rated current	Catalog number	List price	Delivery class	Sugg. order qty	Wgt. oz. (1 pc.)
1 pole					
0.2	S201U-K0.2	\$ 54			
0.3	S201U-K0.3	54			
0.5	S201U-K0.5	54			
0.75	S201U-K0.75	54			
1	S201U-K1	54			
1.6	S201U-K1.6	54			
2	S201U-K2	54			
3	S201U-K3	54			
4	S201U-K4	54			
5	S201U-K5	54			
6	S201U-K6	54			
8	S201U-K8	54			
10	S201U-K10	54	A	10	4.6
13	S201U-K13	54			
15	S201U-K15	54			
16	S201U-K16	54			
20	S201U-K20	54			
25	S201U-K25	56			
30	S201U-K30	58			
32	S201U-K32	58			
40	S201U-K40	64			
50	S201U-K50	70			
60	S201U-K60	80			
63	S201U-K63	80			

Rated current	Catalog number	List price	Delivery class	Sugg. order qty	Wgt. oz. (1 pc.)
2 pole					
0.2	S202U-K0.2	128			
0.3	S202U-K0.3	128			
0.5	S202U-K0.5	128			
0.75	S202U-K0.75	128			
1	S202U-K1	128			
1.6	S202U-K1.6	128			
2	S202U-K2	128			
3	S202U-K3	128			
4	S202U-K4	128			
5	S202U-K5	128			
6	S202U-K6	128			
8	S202U-K8	128			
10	S202U-K10	128	A	5	9.2
13	S202U-K13	128			
15	S202U-K15	128			
16	S202U-K16	128			
20	S202U-K20	128			
25	S202U-K25	130			
30	S202U-K30	134			
32	S202U-K32	134			
40	S202U-K40	134			
50	S202U-K50	162			
60	S202U-K60	182			
63	S202U-K63	182			

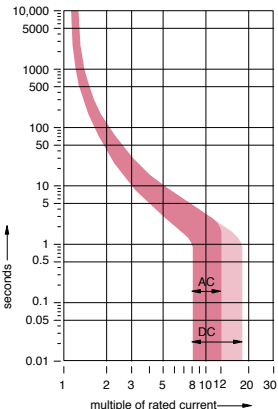
Rated current	Catalog number	List price	Delivery class	Sugg. order qty	Wgt. oz. (1 pc.)
3 pole					
0.2	S203U-K0.2	\$ 194			
0.3	S203U-K0.3	194			
0.5	S203U-K0.5	194			
0.75	S203U-K0.75	194			
1	S203U-K1	194			
1.6	S203U-K1.6	194			
2	S203U-K2	194			
3	S203U-K3	194			
4	S203U-K4	194			
5	S203U-K5	194			
6	S203U-K6	194			
8	S203U-K8	194			
10	S203U-K10	194	A	1	13.9
13	S203U-K13	194			
15	S203U-K15	194			
16	S203U-K16	194			
20	S203U-K20	194			
25	S203U-K25	196			
30	S203U-K30	200			
32	S203U-K32	200			
40	S203U-K40	214			
50	S203U-K50	246			
60	S203U-K60	280			
63	S203U-K63	280			

Rated current	Catalog number	List price	Delivery class	Sugg. order qty	Wgt. oz. (1 pc.)
4 pole					
0.2	S204U-K0.2	265			
0.3	S204U-K0.3	265			
0.5	S204U-K0.5	265			
0.75	S204U-K0.75	265			
1	S204U-K1	265			
1.6	S204U-K1.6	265			
2	S204U-K2	265			
3	S204U-K3	265			
4	S204U-K4	265			
5	S204U-K5	265			
6	S204U-K6	265			
8	S204U-K8	265			
10	S204U-K10	265	B	1	18.0
13	S204U-K13	265			
15	S204U-K15	265			
16	S204U-K16	265			
20	S204U-K20	265			
25	S204U-K25	275			
30	S204U-K30	285			
32	S204U-K32	285			
40	S204U-K40	314			
50	S204U-K50	343			
60	S204U-K60	392			
63	S204U-K63	392			

Delivery Class

- A** - Standard item, stock to 2 weeks lead time
- B** - Stock to 4 weeks lead time
- C** - 6 to 8 week lead time

UL489 listed as branch circuit protective device



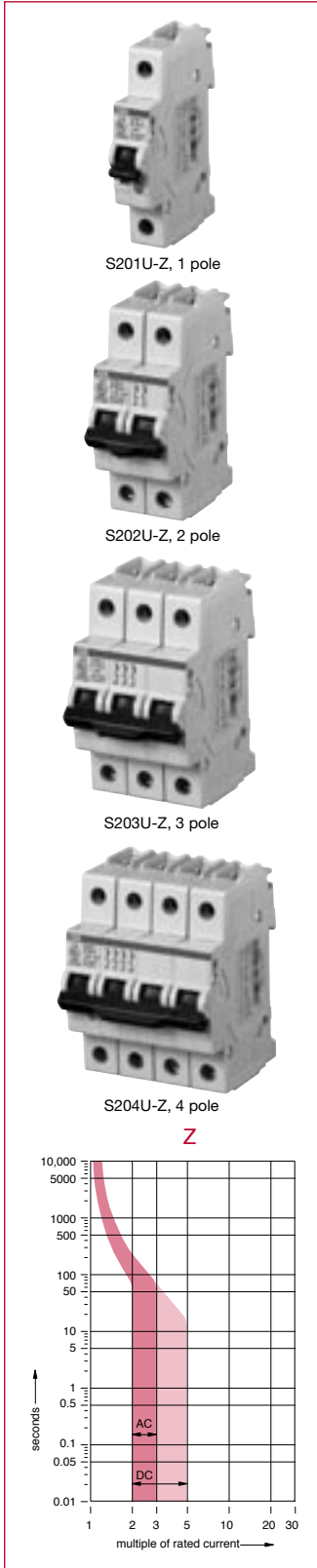
S200U

240 VAC

Miniature MCCBs



Z UL 489 CSA C22.2 - NO. 5
VDE 0660
Cable & equipment protection



Rated current	Catalog number	List price	Delivery class	Sugg. order qty	Wgt. oz. (1 pc.)
1 pole					
0.2	S201U-Z0.2	\$ 70			
0.3	S201U-Z0.3	70			
0.5	S201U-Z0.5	70			
0.75	S201U-Z0.75	70			
1	S201U-Z1	70			
1.6	S201U-Z1.6	70			
2	S201U-Z2	70			
3	S201U-Z3	70			
4	S201U-Z4	70			
5	S201U-Z5	70			
6	S201U-Z6	70			
8	S201U-Z8	70			
10	S201U-Z10	70	A	10	4.6
13	S201U-Z13	70			
15	S201U-Z15	70			
16	S201U-Z16	70			
20	S201U-Z20	70			
25	S201U-Z25	70			
30	S201U-Z30	74			
32	S201U-Z32	74			
40	S201U-Z40	78			
50	S201U-Z50	88			
60	S201U-Z60	100			
63	S201U-Z63	100			

Rated current	Catalog number	List price	Delivery class	Sugg. order qty	Wgt. oz. (1 pc.)
2 pole					
0.2	S202U-Z0.2	162			
0.3	S202U-Z0.3	162			
0.5	S202U-Z0.5	162			
0.75	S202U-Z0.75	162			
1	S202U-Z1	162			
1.6	S202U-Z1.6	162			
2	S202U-Z2	162			
3	S202U-Z3	162			
4	S202U-Z4	162			
5	S202U-Z5	162			
6	S202U-Z6	162			
8	S202U-Z8	162			
10	S202U-Z10	162	A	5	9.2
13	S202U-Z13	162			
15	S202U-Z15	162			
16	S202U-Z16	162			
20	S202U-Z20	162			
25	S202U-Z25	170			
30	S202U-Z30	170			
32	S202U-Z32	170			
40	S202U-Z40	176			
50	S202U-Z50	206			
60	S202U-Z60	232			
63	S202U-Z63	232			

Rated current	Catalog number	List price	Delivery class	Sugg. order qty	Wgt. oz. (1 pc.)
3 pole					
0.2	S203U-Z0.2	\$ 244			
0.3	S203U-Z0.3	244			
0.5	S203U-Z0.5	244			
0.75	S203U-Z0.75	244			
1	S203U-Z1	244			
1.6	S203U-Z1.6	244			
2	S203U-Z2	244			
3	S203U-Z3	244			
4	S203U-Z4	244			
5	S203U-Z5	244			
6	S203U-Z6	244			
8	S203U-Z8	244			
10	S203U-Z10	244	A	1	13.9
13	S203U-Z13	244			
15	S203U-Z15	244			
16	S203U-Z16	244			
20	S203U-Z20	244			
25	S203U-Z25	248			
30	S203U-Z30	254			
32	S203U-Z32	254			
40	S203U-Z40	266			
50	S203U-Z50	306			
60	S203U-Z60	344			
63	S203U-Z63	344			

Rated current	Catalog number	List price	Delivery class	Sugg. order qty	Wgt. oz. (1 pc.)
4 pole					
0.2	S204U-Z0.2	343			
0.3	S204U-Z0.3	343			
0.5	S204U-Z0.5	343			
0.75	S204U-Z0.75	343			
1	S204U-Z1	343			
1.6	S204U-Z1.6	343			
2	S204U-Z2	343			
3	S204U-Z3	343			
4	S204U-Z4	343			
5	S204U-Z5	343			
6	S204U-Z6	343			
8	S204U-Z8	343			
10	S204U-Z10	343	B	1	18.0
13	S204U-Z13	343			
15	S204U-Z15	343			
16	S204U-Z16	343			
20	S204U-Z20	343			
25	S204U-Z25	343			
30	S204U-Z30	363			
32	S204U-Z32	363			
40	S204U-Z40	382			
50	S204U-Z50	431			
60	S204U-Z60	490			
63	S204U-Z63	490			

UL489 listed as branch circuit protective device

Delivery Class
A - Standard item, stock to 2 weeks lead time
B - Stock to 4 weeks lead time
C - 6 to 8 week lead time

S200UP
K

S200UP

480Y/277 VAC

Miniature MCCBs

K UL 489 CSA C22.2 - NO. 5
VDE 0660
Cable & equipment protection



S201UP-K, 1 pole



S202UP-K, 2 pole

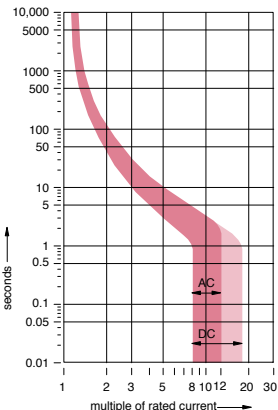


S203UP-K, 3 pole



S204UP-K, 4 pole

K



Rated current	Catalog number	List price	Delivery class	Sugg. order qty	Wgt. oz. (1 pc.)
1 pole					
0.2	S201UP-K0.2	\$ 90			
0.3	S201UP-K0.3	90			
0.5	S201UP-K0.5	90			
0.75	S201UP-K0.75	90			
1	S201UP-K1	90			
1.6	S201UP-K1.6	90			
2	S201UP-K2	90			
3	S201UP-K3	90			
4	S201UP-K4	90			
5	S201UP-K5	90			
6	S201UP-K6	90			
8	S201UP-K8	90	A	10	4.6
10	S201UP-K10	90			
13	S201UP-K13	90			
15	S201UP-K15	90			
16	S201UP-K16	90			
20	S201UP-K20	90			
25	S201UP-K25	90			

Rated current	Catalog number	List price	Delivery class	Sugg. order qty	Wgt. oz. (1 pc.)
2 pole					
0.2	S202UP-K0.2	210			
0.3	S202UP-K0.3	210			
0.5	S202UP-K0.5	210			
0.75	S202UP-K0.75	210			
1	S202UP-K1	210			
1.6	S202UP-K1.6	210			
2	S202UP-K2	210			
3	S202UP-K3	210			
4	S202UP-K4	210			
5	S202UP-K5	210			
6	S202UP-K6	210	A	5	9.2
8	S202UP-K8	210			
10	S202UP-K10	210			
13	S202UP-K13	210			
15	S202UP-K15	210			
16	S202UP-K16	210			
20	S202UP-K20	210			
25	S202UP-K25	210			

Rated current	Catalog number	List price	Delivery class	Sugg. order qty	Wgt. oz. (1 pc.)
3 pole					
0.2	S203UP-K0.2	\$ 320			
0.3	S203UP-K0.3	320			
0.5	S203UP-K0.5	320			
0.75	S203UP-K0.75	320			
1	S203UP-K1	320			
1.6	S203UP-K1.6	320			
2	S203UP-K2	320			
3	S203UP-K3	320			
4	S203UP-K4	320			
5	S203UP-K5	320			
6	S203UP-K6	320	A	1	13.9
8	S203UP-K8	320			
10	S203UP-K10	320			
13	S203UP-K13	320			
15	S203UP-K15	320			
16	S203UP-K16	320			
20	S203UP-K20	320			
25	S203UP-K25	320			

Rated current	Catalog number	List price	Delivery class	Sugg. order qty	Wgt. oz. (1 pc.)
4 pole					
0.2	S204UP-K0.2	440			
0.3	S204UP-K0.3	440			
0.5	S204UP-K0.5	440			
0.75	S204UP-K0.75	440			
1	S204UP-K1	440			
1.6	S204UP-K1.6	440			
2	S204UP-K2	440			
3	S204UP-K3	440			
4	S204UP-K4	440			
5	S204UP-K5	440			
6	S204UP-K6	440	B	1	18.0
8	S204UP-K8	440			
10	S204UP-K10	440			
13	S204UP-K13	440			
15	S204UP-K15	440			
16	S204UP-K16	440			
20	S204UP-K20	440			
25	S204UP-K25	440			

Delivery Class

- A** - Standard item, stock to 2 weeks lead time
- B** - Stock to 4 weeks lead time
- C** - 6 to 8 week lead time

UL489 listed as branch circuit protective device


S200UP

480Y/277 VAC


Miniature MCCBs




Z UL 489 CSA C22.2 - NO. 5
VDE 0660
Cable & equipment protection




S201UP-Z, 1 pole



S202UP-Z, 2 pole

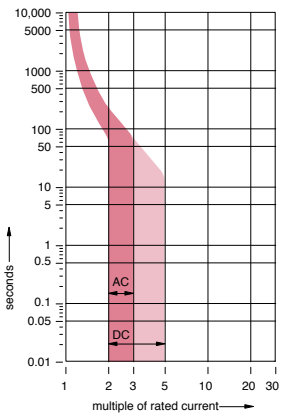


S203UP-Z, 3 pole



S204UP-Z, 4 pole

Z



The graph shows the time-current characteristic for the S200UP MCCBs. The vertical axis represents time in seconds on a logarithmic scale from 0.01 to 10,000. The horizontal axis represents the multiple of rated current on a logarithmic scale from 1 to 30. A shaded region indicates the operating range, with a vertical line at 10x rated current. Two horizontal lines indicate the trip times for AC and DC circuits, both occurring at approximately 10x rated current.

Rated current	Catalog number	List price	Delivery class	Sugg. order qty	Wgt. oz. (1 pc.)
1 pole					
0.2	S201UP-Z0.2	\$ 115			
0.3	S201UP-Z0.3	115			
0.5	S201UP-Z0.5	115			
0.75	S201UP-Z0.75	115			
1	S201UP-Z1	115			
1.6	S201UP-Z1.6	115			
2	S201UP-Z2	115			
3	S201UP-Z3	115			
4	S201UP-Z4	115			
5	S201UP-Z5	115			
6	S201UP-Z6	115			
8	S201UP-Z8	115	A	10	4.6
10	S201UP-Z10	115			
13	S201UP-Z13	115			
15	S201UP-Z15	115			
16	S201UP-Z16	115			
20	S201UP-Z20	115			
25	S201UP-Z25	115			

Rated current	Catalog number	List price	Delivery class	Sugg. order qty	Wgt. oz. (1 pc.)
2 pole					
0.2	S202UP-Z0.2	270			
0.3	S202UP-Z0.3	270			
0.5	S202UP-Z0.5	270			
0.75	S202UP-Z0.75	270			
1	S202UP-Z1	270			
1.6	S202UP-Z1.6	270			
2	S202UP-Z2	270			
3	S202UP-Z3	270			
4	S202UP-Z4	270			
5	S202UP-Z5	270			
6	S202UP-Z6	270			
8	S202UP-Z8	270	A	5	9.2
10	S202UP-Z10	270			
13	S202UP-Z13	270			
15	S202UP-Z15	270			
16	S202UP-Z16	270			
20	S202UP-Z20	270			
25	S202UP-Z25	270			

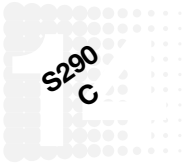
Rated current	Catalog number	List price	Delivery class	Sugg. order qty	Wgt. oz. (1 pc.)
3 pole					
0.2	S203UP-Z0.2	\$ 400			
0.3	S203UP-Z0.3	400			
0.5	S203UP-Z0.5	400			
0.75	S203UP-Z0.75	400			
1	S203UP-Z1	400			
1.6	S203UP-Z1.6	400			
2	S203UP-Z2	400			
3	S203UP-Z3	400			
4	S203UP-Z4	400			
5	S203UP-Z5	400			
6	S203UP-Z6	400	A	1	13.9
8	S203UP-Z8	400			
10	S203UP-Z10	400			
13	S203UP-Z13	400			
15	S203UP-Z15	400			
16	S203UP-Z16	400			
20	S203UP-Z20	400			
25	S203UP-Z25	400			

Rated current	Catalog number	List price	Delivery class	Sugg. order qty	Wgt. oz. (1 pc.)
4 pole					
0.2	S204UP-Z0.2	564			
0.3	S204UP-Z0.3	564			
0.5	S204UP-Z0.5	564			
0.75	S204UP-Z0.75	564			
1	S204UP-Z1	564			
1.6	S204UP-Z1.6	564			
2	S204UP-Z2	564			
3	S204UP-Z3	564			
4	S204UP-Z4	564			
5	S204UP-Z5	564			
6	S204UP-Z6	564	B	1	18.0
8	S204UP-Z8	564			
10	S204UP-Z10	564			
13	S204UP-Z13	564			
15	S204UP-Z15	564			
16	S204UP-Z16	564			
20	S204UP-Z20	564			
25	S204UP-Z25	564			

Delivery Class

A - Standard item, stock to 2 weeks lead time
B - Stock to 4 weeks lead time
C - 6 to 8 week lead time

UL489 listed as branch
circuit protective device



S290 480Y/277 VAC

C VDE 0660
Cable and equipment protection



S291-C80



S290-H11

480 VAC

Rated current	Catalog number	List price	Delivery class	Sugg. order qty	Wgt. oz. (1 pc.)
---------------	----------------	------------	----------------	-----------------	------------------

1 pole

80	S291-C80	\$ 138	B	6	9.2
100	S291-C100	144			
125	S291-C125	192			

2 pole

80	S292-C80	340	B	3	18.4
100	S292-C100	364			
125	S292-C125	568			

3 pole

80	S293-C80	536	B	2	27.6
100	S293-C100	548			
125	S293-C125	732			

4 pole

80	S294-C80	740	B	1	36.8
100	S294-C100	756			
125	S294-C125	948			

Auxiliary contact

	S290-H11	72	B	1	1.75
--	----------	----	---	---	------

Bell alarm

	S290-S	112	B	1	1.75
--	--------	-----	---	---	------

Shunt trip

	S290-A1	144	B	1	6.2
--	---------	-----	---	---	-----

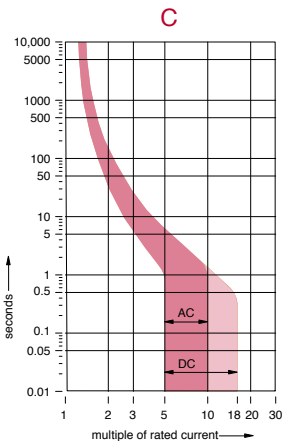
For field mounting, left side, 110V – 415VAC

	S290-A2	144	B	1	6.2
--	---------	-----	---	---	-----

For field mounting, left side, 24 – 48VDC

Delivery Class

- A - Standard item, stock to 2 weeks lead time
- B - Stock to 4 weeks lead time
- C - 6 to 8 week lead time

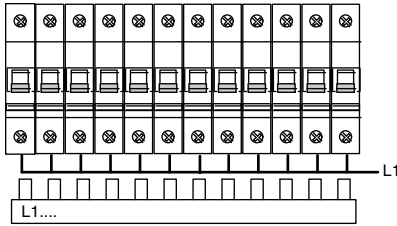


Accessories

Busbars

S200

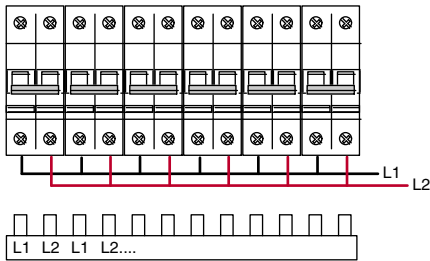
1 Phase



For use on:	Amp rating	Number of poles	Busbar length (mm)	End cap catalog number	Catalog number	List price	Delivery class	Suggested order qty. quantity	Weight (ozs)
S200 & S200P	63 80	60 60	988 988	- -	PS1/60 PS1/60/16	\$ 36 46	A	1	9 14
* S200U & S200UP	80	6 12 18	108 216 324	- - -	PS1/6/16BP PS1/12/16BP PS1/18/16BP	30 60 90	B	1	1.4 2.9 4.3

* UL Approved for use on UL 489 miniature MCCBs. UL file# E250145

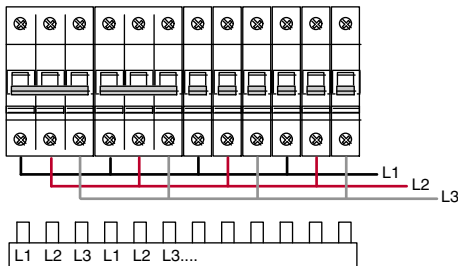
2 Phase



For use on:	Amp rating	Number of poles	Busbar length (mm)	End cap catalog number	Catalog number	List price	Delivery class	Suggested order qty. quantity	Weight (ozs)
S200 & S200P	63 80	58 58	1035 1035	PS-END PS-END	PS2/58SP PS2/58/16SP	\$ 122 122	A	1	11 18
* S200U & S200UP	80	6 12 18	108 216 324	- - -	PS2/6/16BP PS2/12/16BP PS2/18/16BP	40 80 120	B	1	1.8 3.7 5.5

* UL Approved for use on UL 489 miniature MCCBs. UL file# E250145

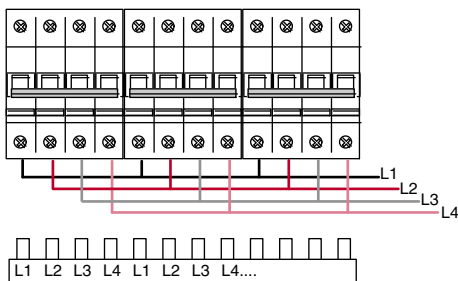
3 Phase



For use on:	Amp rating	Number of poles	Busbar length (mm)	End cap catalog number	Catalog number	List price	Delivery class	Suggested order qty. quantity	Weight (ozs)
S200 & S200P	63 80	60 60	1065 1065	PSB-ENDSP PSB-ENDSP	PS3/60SP PS3/60/16SP	\$ 130 176	A	1	12 20
* S200U & S200UP	80	6 12 18	108 216 324	- - -	PS3/6/16BP PS3/12/16BP PS3/18/16BP	44 88 132	B	1	2 4 6

* UL Approved for use on UL 489 miniature MCCBs. UL file# E250145

4 Phase



For use on:	Amp rating	Number of poles	Busbar length (mm)	End cap catalog number	Catalog number	List price	Delivery class	Suggested order qty. quantity	Weight (ozs)
S200 & S200P	80	60	1056	PS-END1	PS4/60/16SP	\$ 236	B	1	22

Delivery Class

- A** - Standard item, stock to 2 weeks lead time
- B** - Stock to 4 weeks lead time
- C** - 6 to 8 week lead time

NOTE

ALL BUS BARS MAY BE CENTER FED IN ORDER TO DOUBLE THE AMPACITY RATING

NOTE

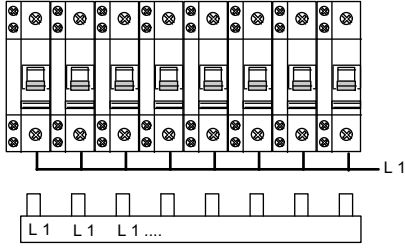
BUS BARS MAY BE USED ON LINE OR LOAD SIDE OF MCCBS

Accessories

Busbars

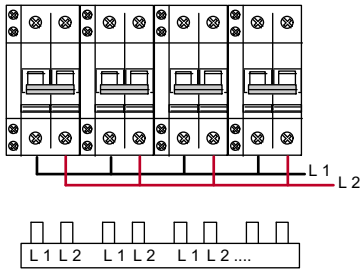
S200

1 Phase with 1 auxiliary



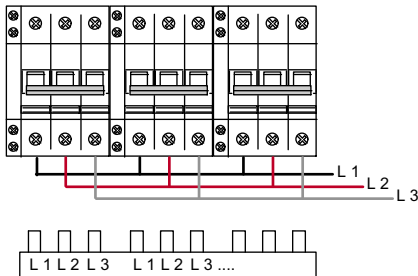
For use on:	Amp rating	Number of poles	Busbar length (mm)	End cap catalog number	Catalog number	List price	Delivery class	Suggested order qty. quantity	Weight (ozs)
S200 & S200P	63 80	38 38	1044 1044	— —	PS1/38H PS1/38/16H	\$ 50 \$ 56	B	1	7.4 10.1

2 Phase with 1 auxiliary



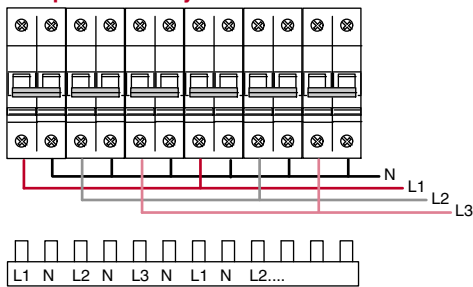
For use on:	Amp rating	Number of poles	Busbar length (mm)	End cap catalog number	Catalog number	List price	Delivery class	Suggested order qty. quantity	Weight (ozs)
S200 & S200P	80	48	1065	PS-ENDSP	PS2/48/16SP	\$ 174	B	1	23.3

3 Phase with 1 auxiliary



For use on:	Amp rating	Number of poles	Busbar length (mm)	End cap catalog number	Catalog number	List price	Delivery class	Suggested order qty. quantity	Weight (ozs)
S200 & S200P	80	39	980	PS-ENDSP	PS3/39/16SP	\$ 158	B	1	22.6

3 Phase + N, for use with 2 pole MCB's on 3 phase / 4W system



For use on:	Amp rating	Number of poles	Busbar length (mm)	End cap catalog number	Catalog number	List price	Delivery class	Suggested order qty. quantity	Weight (ozs)
S200 & S200P	80	58	1048	PS-END1SP	PS4/58/16NSP	\$ 238	B	1	30.8

Insulated busbar assembly contains 4 separate circuits for use with 1+N or 2 pole MCBs. For use on load side (bottom) of S260, S270, S280 and line side (top) of S280 MCBs.

Delivery Class

- A** - Standard item, stock to 2 weeks lead time
- B** - Stock to 4 weeks lead time
- C** - 6 to 8 week lead time

NOTE

ALL BUS BARS MAY BE CENTER FED IN ORDER TO DOUBLE THE AMPACITY RATING

NOTE

BUS BARS MAY BE USED ON LINE OR LOAD SIDE OF MCBS

Accessories

S200



S2C-H6R



S2C-S/H6R



S2C-A_



S2C-UA_

Electrical accessories	For use on:	Catalog number	List price	Delivery class	Suggested order quantities	Wgt. oz. (1 pc.)
Auxiliary contacts For field mounting: right side 1 N.O./ 1 N.C.	S200 & S200P	S2C-H6R	\$ 36	A	1	1.4
	S200U & S200UP	S2C-H6RU				

The auxiliary contacts will signal whether the breaker is in the ON or OFF position. The contacts are rated 6A/240 VAC and 1.5A/110 VDC. Minimum operating voltage is 12 VAC/VDC. Wire size: 18 AWG to 16 AWG.

Bell alarm For field mounting, right side	S200 & S200P	*S2C-S/H6R	48	A	1	1.4
	S200U & S200UP	S2C-S6RU				

The bell alarm includes a set of contacts that will only signal when the breaker has tripped. Typically the contacts would be connected to an alarm or bell to signal the operator that an overcurrent trip has occurred. The bell alarm also includes a test button for testing the alarm contacts without opening the breaker. The contact is rated 6A/240 VAC and 1.5A/110 VDC. Minimum operating voltage is 12 VAC/VDC.

* Combination bell alarm/auxiliary contact

Shunt trip For field mounting, right side A1-12-60 VAC (12-60VDC) A2-110-415 VAC (110-250 VDC)	S200 & S200P	S2C-A1 S2C-A2	138	A	1	5.2
	S200U & S200UP	S2C-A1U S2C-A2U				

For remote tripping of breaker, a shunt trip device can be added to the MCB. The solenoid device opens the breaker after control voltage is applied. Shunt trips are available for on control system voltage (12-415 VAC/VDC).

Undervoltage release For field mounting, right side 12 VDC 24 VAC/VDC 48 VAC/VDC 110 VAC/VDC 220 VAC/VDC 380 VAC	S200 & S200P	S2C-UA12 S2C-UA24 S2C-UA48 S2C-UA110 S2C-UA230 S2C-UA400	216	A	1	5.2
--	--------------	---	------------	---	---	-----

When control voltage drops below approximately 50% of rated voltage, the UVR opens the breaker. The breaker can not be operated unless proper control voltage is first applied to the UVR coil. Similar in size and mounting to the shunt trip accessory.

Factory mounting

All accessories can be easily mounted in the field. For factory mounting of any accessory devices, add \$30 list to total price per breaker. To create complete catalog number, take suffix of accessory device following "S2C-" and add suffix to end of breaker part number. Multiple suffixes must be added in alphabetical order.

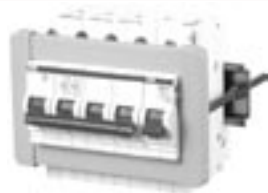
Example: S202-K20A1 \$ 264 (2 pole, 20A breaker with type A1 shunt trip) S202-K20 @ \$96 + S2C-A1 @ \$138 + factory mounting @ \$30 = \$264
S202-K20A2H6R \$ 300 (2 pole, 20A breaker with type A2 shunt trip and H6R aux. contacts) S202-K20 @ \$96 + S2C-A1 @ \$138 + S2C-H6R @ \$36 + factory mounting @ \$30 = \$300

Auxiliary contacts and shunt trips may be mounted in combination.

Delivery Class

- A** - Standard item, stock to 2 weeks lead time
- B** - Stock to 4 weeks lead time
- C** - 6 to 8 week lead time

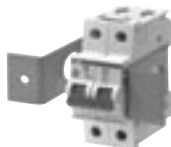
Accessories S200



S500-ME2



MB-CL



MB-3PD



SA1



SA2



12404



S2C-DH



SMR-39

Electrical accessories	Catalog number	List price	Delivery class	Suggested order quantities	Wgt. oz. (1 pc.)
Front mounting kit					
For 2 poles	S500-ME1	\$ 60	A	1	2.1
For 2 – 5 poles	S500-ME2	70			2.9
For 2 – 10 poles	S500-ME3	80			3.6
Optional rear terminals	S500-K1	16			1.5

Includes flange, mounting rail and hardware.

Front mounting clip					
For 1 – 4 poles	MB-CL	35	A	1	2

Simple mounting clip for up to four module mounting.

Front mounting bracket					
For 1 – 3 poles	MB-3PD	35	A	1	2.5

For flush mounting of three pole MCBs: includes hardware.

Locking device					
Adaptor only	SA1	9	A	10	0.7
Padlock only w/ 2 keys	SA2	19			0.1

Allows breaker to be locked in ON or OFF position.

Labeling accessory					
1 sheet = 40 blank labels	BS	74	A	1	—
1 sheet = 40 numbered labels	BS/40	74			—

Snap into rail indent on front of MCB Label holder & labels includes 100 label carriers.

Enclosure, IP40					
For 2 modules	12402	32	B	1	2.0
For 4 modules	12404	45			2.8
For 6 modules	12406	56			3.4
For 8 modules	12408	66			4.1

For additional protection against accidental contact. Includes integrated mounting rail.

Enclosure, IP55					
For 4 modules	12644	84	A	1	8.1
For 6 modules	12646	98			10.8
For 10 modules	12650	126			20.4
For 20 modules	12652	210			41.0

Molded plastic complete with mounting rail and knock-outs for cable entries.

Blanking plates					
Single pole (set of 10)	BP-1P	6	A	1	—
Twelve pole (snap-off, set of 1)	BP-12P	7	—	—	—

Handle mechanism					
	S2C-DH	76	A	1	9.2

For use with 2, 3 and 4 pole S2 MCBs and disconnect switch handles with 5mm shaft.

Din rail					
Universal mounting	SMR-39	21	A	1	8

35mm DIN rails are available in 39-inch strips (1 meter).

Delivery Class

- A - Standard item, stock to 2 weeks lead time
- B - Stock to 4 weeks lead time
- C - 6 to 8 week lead time

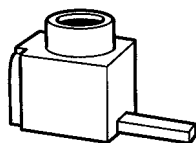
Accessories S200



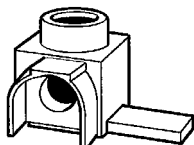
SZ-BSK



SZ-ESK2



SZ-AST55_



SZ-AST50_

Description	Catalog number	List price	Delivery class	Suggested order qty.	Weight ounce qty. (2 pc.)
Busbar end caps 2 & 3 phase 4 phase	PS-ENDSP PS-END1SP	\$ 2	A	10	—
Busbar tooth covers (shrouds unused portion of busbar)	SZ-BSK	4	A	10	—
Busbar mounted terminal block, 1 pole, for use on all busbars. Wire size: 14 AWG to 2 AWG	SZ-ESK2	10	A	1	1.0

Electrical accessories	Catalog number	List price	Delivery class	Suggested order quantities	Wgt. oz. (1 pc.)
Posidrive tools					
Screwdriver, #1	SD-PZ1	\$ 40	A	1	4
Screwdriver, #2	SD-PZ2	40	A	1	4
Bit, #1	BIT-PZ1	4	A	1	4
Bit, #2	BIT-PZ2	4	A	1	4

Connection terminals

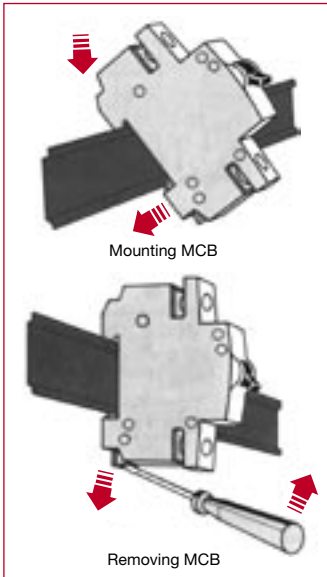
Cross section AWG/mm ²	For use on:	Catalog number	List price	Delivery class	Suggested order quantities	Wgt. oz. (1 pc.)
1/0 (50mm ²) Straight	S200 & S200P	SZ-AST55I	\$ 15	B	10	0.5
1/0 (50mm ²) 90°		SZ-AST50I	15		10	0.5
1/0 (50mm ²) Straight	S200U & S200UP	SZ-AST55U	15	B	10	0.5
1/0 (50mm ²) 90°		SZ-AST50U	15		10	0.5

Delivery Class

- A** - Standard item, stock to 2 weeks lead time
- B** - Stock to 4 weeks lead time
- C** - 6 to 8 week lead time

Technical data

Mounting and operating instructions



Mounting

Universal mounting position using snap-on mounting to standard 35x7.5mm DIN rail.

Miniature circuit breakers (MCBs) can also be mounted to front of door using a panel cut-out with breaker handle protruding through panel opening for external operation. Special front mounting kit page 23.

Connection

Terminals are suitable for solid or flexible conductors from 18 to 4 AWG (0.75 to 25mm²) with no busbar connected. When maximum busbar size of 36 mm² is used, maximum cable is 6 AWG (16 mm²).

Maximum tightening torque of 17.5 in-lb (2 Nm) for line/load terminals and 4.5 in-lb (0.5Nm) for accessory device terminals.

Operation

MCBs are switched on by moving the handle to the upper position. Stamped onto the handle switch, a "I" is visible confirming that the breaker is closed.

The MCBs are "trip-free," if the handle is being forced to the "ON" position, the breaker will still trip under fault conditions.

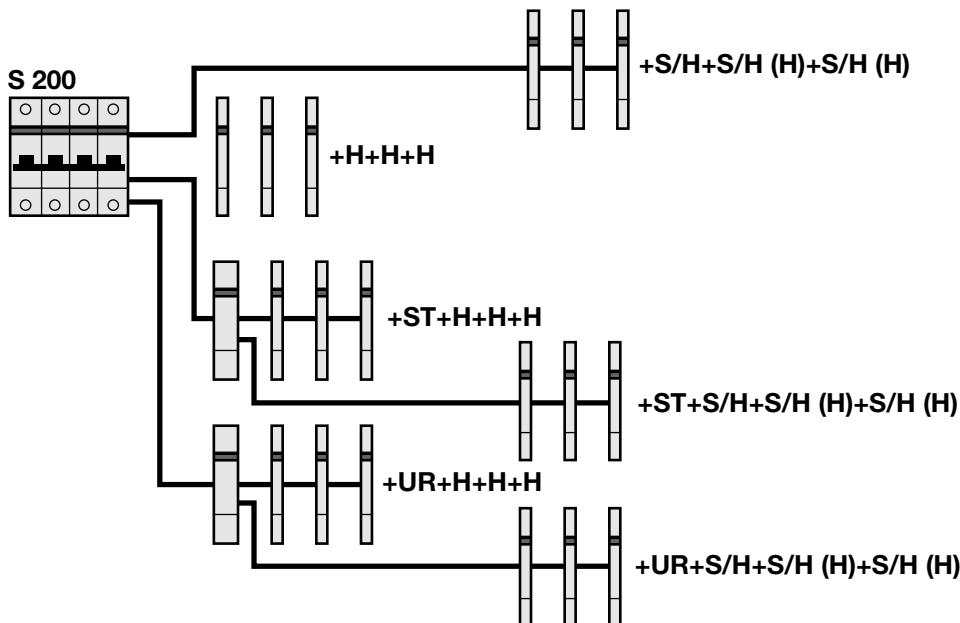
The "O" marking indicates that the breaker is in the "OFF" position. The MCB is now open and the load is disconnected from line power.

When a breaker has tripped, the MCB handle should first be set to the full "OFF" position to make certain the trip mechanism has been reset. Once the fault has been determined and cleared the MCB can again be switched "ON".

Maintenance

ABB miniature circuit breakers require no special maintenance; only normal electrical system maintenance procedures are required.

Possible mounting arrangements of MCB accessories



Legend

Auxiliary contact	H
Bell alarm/Auxiliary contact	S/H
Bell alarm/Auxiliary contact used as auxiliary contact	S/H (H)
Shunt trip	ST
Undervoltage release	UR

Technical data

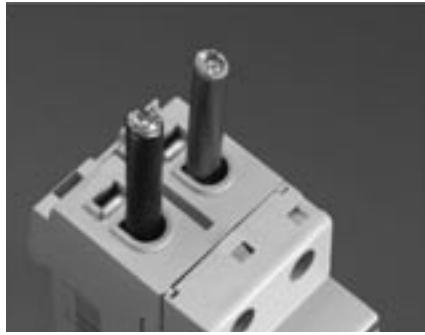
Busbars & connectors

Connection methods

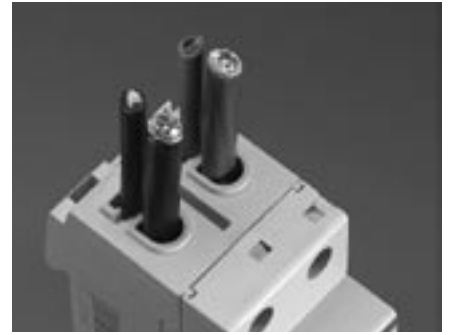
Technical
data



Dual function terminals provided in open position for connection to busbars or cable.



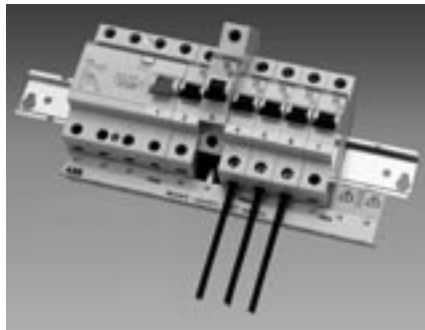
Terminals allow for connection of cable 18-4 AWG.



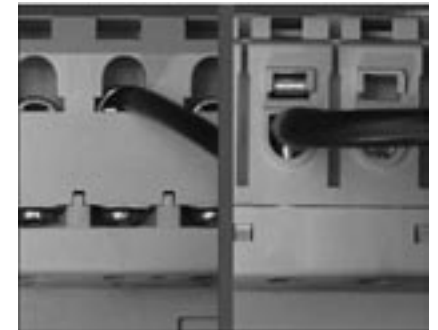
Two slots per terminal offer the ability to connect, independently, two conductors. This may be cables or bus bar.



Top and bottom terminals can be bussed together with single phase or multi-phase busbars as shown. Both line and load side terminals can be bus bar connected.



Easy removal of devices from an assembly when using bus bar in the bottom, load side terminals.



Conductors can only be inserted into open terminals, preventing mis-wiring and potential problems.

Item	S200-B		S200-C, -D		S200-K		S200P-K	
Approvals:								
UL	1077		1077		1077		1077	
CSA	C22.2 — No.235		C22.2 — No. 235		C22.2 — No. 235		—	
VDE	0641, 0660		0660		0660		0660	
IEC	898, 947		898, 947		898, 947		898, 947	
No. of poles:	1,2,3,4 1+N,3+N		1,2,3, 1+N,3+N		1,2,3,4, 1+N,3+N		1,2,3,4,1+N,3+N	
Tripping characteristic:	B		C,D		K		K	
Rated currents:	6 to 63A		0.5 to 63A		0.5 to 63A		0.2 to 63A	
Minimum operating voltage:	12V		12V		12V		12V	
UL/CSA rated voltage & interrupting capacity	Single pole	Multi pole	Single pole	Multi pole	Single pole	Multi pole	Single pole	Multi pole
120VAC	10kA	—	10kA	—	10kA	—	10kA	—
240VAC	6kA	10kA	6kA	10kA	6kA	10kA	10kA	10kA
277VAC	6kA	—	6kA	—	6kA	—	10kA	—
277/480 VAC	—	6kA	—	6kA	—	6kA	—	10kA
60VDC	10kA	10kA	10kA	10kA	10kA	10kA	—	—
125VDC	—	10kA	—	10kA	—	10kA	—	—
Frequency:	50/60Hz (See below)		50/60Hz (see below)		50/60Hz (see below)		50/60Hz (see below)	
Rated voltage								
IEC single pole	240/415VAC		240/415VAC		240/415VAC		240/415VAC	
	60VDC		60VDC		60VDC		60VDC	
IEC multi-pole	415VAC		415VAC		415VAC		415VAC	
	110VDC		110VDC		110VDC		110VDC	
Protection category:	IP20		IP20		IP20		IP20	
Depth of unit per DIN 43880:	68mm		68mm		68mm		68mm	
Mounting position:	optional		optional		optional		optional	
Standard mounting:	35mm DIN rail		35mm DIN rail		35mm DIN rail		35mm DIN rail	
Main and shunt trip terminals:								
Wire size	18-4 AWG		18-4 AWG		18-4 AWG		18-4 AWG	
Torque	17.5 in-lbs.		17.5 in-lbs.		17.5 in-lbs.		17.5 in-lbs.	
Tool	#2 Posidrive		#2 Posidrive		#2 Posidrive		#2 Posidrive	
Accessory terminals								
Wire size	18-16 AWG		18-16 AWG		18-16 AWG		18-16 AWG	
Torque	4.5 in-lbs.		4.5 in-lbs.		4.5 in-lbs.		4.5 in-lbs.	
Tool	#1 Posidrive		#1 Posidrive		#1 Posidrive		#1 Posidrive	
Service life at rated load:	$I_n < 32$ A, 20,000 operations $I_n > 32$ A, 10,000 operations		$I_n < 32$ A, 20,000 operations $I_n > 32$ A, 10,000 operations		$I_n < 32$ A, 20,000 operations $I_n > 32$ A, 10,000 operations		$I_n < 32$ A, 20,000 operations $I_n > 32$ A, 10,000 operations	
Ambient temperatures:	-25°C to +70°C		-25°C to +70°C		-25°C to +70°C		-25°C to +70°C	
Storage temperatures	-40°C to +70°C		-40°C to +70°C		-40°C to +70°C		-40°C to +70°C	
Shock resistance:	30g minimum of 2 impacts, shock duration of 13ms		30g minimum of 2 impacts, shock duration of 13ms		30g minimum of 2 impacts, shock duration of 13ms		30g minimum of 2 impacts, shock duration of 13ms	
Vibration resistance:	5g, 20 cycles, 5 Hz, 150 Hz @ 0.8 ~ I_n		5g, 20 cycles, 5 Hz, 150 Hz @ 0.8 ~ I_n		5g, 20 cycles, 5 Hz, 150 Hz @ 0.8 ~ I_n		5g, 20 cycles, 5 Hz, 150 Hz @ 0.8 ~ I_n	
Disconnecting neutral rating:	6kA switching		6kA switching		6kA switching		—	

Influence of frequency on electro-magnetic trips

Magnetic trip values shown on trip curves are valid for 50/60Hz applications. For frequencies other than 50/60Hz, the magnetic (instantaneous) trip values are increased by the factor given below:

	16 2/3 - 60Hz	100Hz	200Hz	400Hz	DC
Approx. factor	1	1.1	1.2	1.5	1.5

Thermal tripping is independent of frequency.

Item	S280UC-K		S200P-Z		S280UC-Z		S290-C	
Approvals:								
UL	1077		1077		1077		—	
CSA	—		—		—		—	
VDE	0660		0660		0660		0660	
IEC	898,947		898, 947		898, 947		898	
No. of poles:	1,2,3		1,2,3,4		1,2,3		1,2,3,4	
Tripping characteristic:	K		Z		Z		C	
Rated currents:	0.2 to 63A		0.5 to 63A		0.5 to 63A		80 to 125A	
Minimum operating voltage:	12V		12V		12V		12V	
UL/CSA rated voltage & interrupting capacity	Single pole	Multi pole	Single pole	Multi pole	Single pole	Multi pole		
120VAC	10kA	—	10kA	—	10kA	—	—	
240VAC	10kA	10kA	10kA	10kA	10kA	10kA	—	
277VAC	10kA	—	10kA	—	10kA	—	—	
277/480 VAC	—	4.5kA for 0.2-40A 5kA for 50-63A	—	10kA	—	4.5kA for 0.2-40A 5kA for 50-63A	—	
60VDC	10kA	10kA	—	—	10kA	10kA	—	
125VDC	10kA	10kA	—	—	10kA	10kA	—	
250VDC	4.5kA	4.5kA	—	—	4.5kA	4.5kA	—	
500VDC	—	4.5kA	—	—	—	4.5kA	—	
Frequency:	50/60Hz (see below)		50/60 Hz (see below)		50/60Hz (see below)		50/60Hz (see below)	
Rated voltage								
IEC single pole	240/415VAC 220VDC		240/415VAC 60VDC		240/415VAC 220VDC		230/440VAC 60VDC	
IEC multi-pole	415VAC 440VDC		415VAC 110VDC		415VAC 440VDC		440VAC 110VDC	
Protection category:	IP20		IP20		IP20		IP20	
Depth of unit per DIN 43880:	68mm		68mm		68mm		70mm	
Mounting position:	optional		optional		optional		optional	
Standard mounting:	35mm DIN rail		35mm DIN rail		35mm DIN-rail		35mm DIN-rail	
Main and shunt trip terminals:								
Wire size	0.2-40A 50A & above	18-4 AWG 18-2 AWG	18-4 AWG		0.5-40A 18-2 AWG	18-4 AWG	80-125A	14-1/0 AWG
Torque	17.5 in-lbs.		17.5 in-lbs.		17.5 in-lbs.		17.5 in-lbs.	
Tool	#2 Posidrive		#2 Posidrive		#2 Posidrive		#2 Posidrive	
Accessory terminals								
Wire size	18-16 AWG		18-16 AWG		18-16 AWG		18-16 AWG	
Torque	4.5 in-lbs.		4.5 in-lbs.		4.5 in-lbs.		4.5 in-lbs.	
Tool	#1 Posidrive		#1 Posidrive		#1 Posidrive		#1 Posidrive	
Service life at rated load:	$I_n < 32$ A, 20,000 operations $I_n > 32$ A, 10,000 operations		$I_n < 32$ A, 20,000 operations $I_n > 32$ A, 10,000 operations		$I_n < 32$ A, 20,000 operations $I_n > 32$ A, 10,000 operations		10,000 operations —	
Ambient temperatures:	-25°C to +55°C		-25°C to +70°C		-25°C to +55°C		-5°C to +45°C	
Storage temperatures	-40°C to +70°C		-40°C to +70°C		-40°C to +70°C		-40°C to +70°C	
Shock resistance:	30g minimum of 2 impacts, shock duration of 13ms		30g minimum of 2 impacts, shock duration of 13ms		30g minimum of 2 impacts, shock duration of 13ms		30g minimum of 2 impacts, shock duration of 13ms	
Vibration resistance:	5g, 20 cycles, 5 Hz, 150 Hz @ 0.8 ~ I_n		5g, 20 cycles, 5 Hz, 150 Hz @ 0.8 ~ I_n		5g, 20 cycles, 5 Hz, 150 Hz @ 0.8 ~ I_n		60m/s ² , at 10 – 150 Hz	

Influence of frequency on electro-magnetic trips

Magnetic trip values shown on trip curves are valid for 50/60Hz applications. For frequencies other than 50/60Hz, the magnetic (instantaneous) trip values are increased by the factor given below:

	16 2/3 - 60Hz	100Hz	200Hz	400Hz	DC
Approx. factor	1	1.1	1.2	1.5	1.5

Thermal tripping is independent of frequency.

Technical data

Item	S200U-K	S200U-Z	S200UP-K	S200UP-Z
Approvals:				
UL	489	489	489	489
CSA	C22.2 No.5	C22.2 No.5	C22.2 No.5	C22.2 No.5
VDE	0660	0660	0660	0660
IEC	898,947	898, 947	898, 947	898
No. of poles:	1,2,3,4	1,2,3,4	1,2,3,4	1,2,3,4
Tripping characteristic:	K	Z	K	Z
Rated currents:	0.2 to 63A	0.2 to 63A	0.2 to 25A	0.2 to 25A
Minimum operating voltage:	12V	12V	12V	12V
UL/CSA rated voltage & interrupting capacity				
120VAC	10kA	10kA	10kA	10kA
240VAC	10kA	10kA	10kA	10kA
277VAC			10kA	10kA
277/480 VAC			10kA	10kA
Frequency:	50/60Hz (see below)	50/60 Hz (see below)	50/60Hz (see below)	50/60Hz (see below)
Rated voltage				
IEC single pole	240/415VAC	240/415VAC	240/415VAC	240/415VAC
	220VDC	60VDC	220VDC	220VDC
IEC multi-pole	415VAC	415VAC	415VAC	415VAC
	440VDC	110VDC	440VDC	440VDC
Protection category:	IP20	IP20	IP20	IP20
Depth of unit per DIN 43880:	68mm	68mm	68mm	68mm
Mounting position:	optional	optional	optional	optional
Standard mounting:	35mm DIN rail	35mm DIN rail	35mm DIN-rail	35mm DIN-rail
Main and shunt trip terminals:				
Wire size	18-4 AWG	18-4 AWG	18-4 AWG	18-4 AWG
Torque	17.5 in.-lbs.	17.5 in.-lbs.	17.5 in.-lbs.	17.5 in.-lbs.
Tool	#2 Posidrive	#2 Posidrive	#2 Posidrive	#2 Posidrive
Accessory terminals				
Wire size	18-16 AWG	18-16 AWG	18-16 AWG	18-16 AWG
Torque	4.5 in.-lbs.	4.5 in.-lbs.	4.5 in.-lbs.	4.5 in.-lbs.
Tool	#1 Posidrive	#1 Posidrive	#1 Posidrive	#1 Posidrive
Service life at rated load:	$I_n < 32 A$, 20,000 operations $I_n > 32 A$, 10,000 operations	$I_n < 32 A$, 20,000 operations $I_n > 32 A$, 10,000 operations	$I_n < 32 A$, 20,000 operations $I_n > 32 A$, 10,000 operations	$I_n < 32 A$, 20,000 operations $I_n > 32 A$, 10,000 operations
Ambient temperatures:	-25°C to +70°C	-25°C to +70°C	-25°C to +70°C	-25°C to +70°C
Storage temperatures	-40°C to + 70°C	-40°C to + 70°C	-40°C to + 70°C	-40°C to + 70°C
Shock resistance:	30g minimum of 2 impacts, shock duration of 13ms	30g minimum of 2 impacts, shock duration of 13ms	30g minimum of 2 impacts, shock duration of 13ms	30g minimum of 2 impacts, shock duration of 13ms
Vibration resistance:	5g, 20 cycles, 5 Hz, 150 Hz @ 0.8 - I_n	5g, 20 cycles, 5 Hz, 150 Hz @ 0.8 - I_n	5g, 20 cycles, 5 Hz, 150 Hz @ 0.8 - I_n	5g, 20 cycles, 5 Hz, 150 Hz @ 0.8 - I_n

Influence of frequency on electro-magnetic trips

Magnetic trip values shown on trip curves are valid for 50/60Hz applications.
For frequencies other than 50/60Hz, the magnetic (instantaneous) trip values are increased by the factor given below:

	16 2/3 - 60Hz	100Hz	200Hz	400Hz	DC
Approx. factor	1	1.1	1.2	1.5	1.5

Thermal tripping is independent of frequency.

Technical data

Wire size comparison



Comparison of IEC and AWG wire sizes

mm	AWG (mm)	Amps / UL	Amps / IEC
1.0	—	—	8
—	16 (1.3)	10	—
1.5	—	—	12
—	14 (2.1)	15	—
2.5	—	—	20
—	12 (3.3)	20	—
4	—	—	25
—	10 (5.3)	30	—
6	—	—	32
—	8 (8.4)	50	—
10	—	—	50
—	6 (13.3)	65	—
16	—	—	65
—	4 (21.2)	85	—
25	—	—	85
—	3 (26.7)	100	—
—	2 (33.6)	115	—
35	—	—	115

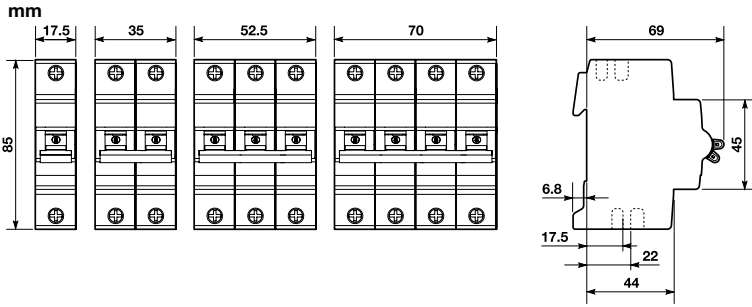
Ampacities for AWG wire are based on copper cable rated 75° C, except for 16AWG which is based on 60° C wire. Taken from UL508 Table 52.2.

Consult applicable standards for further detail and information.

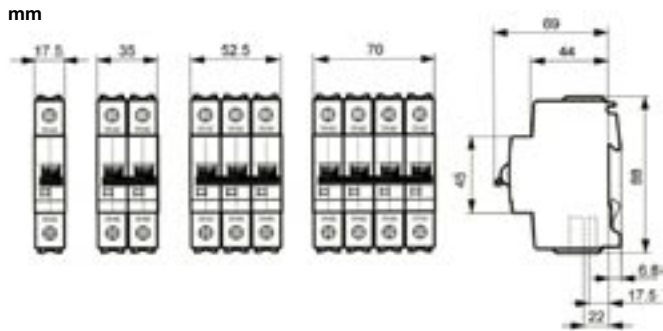
Approximate dimensions S200, S200P, S200U, S200UP

00.00 Inches
00.00 [Millimeters]

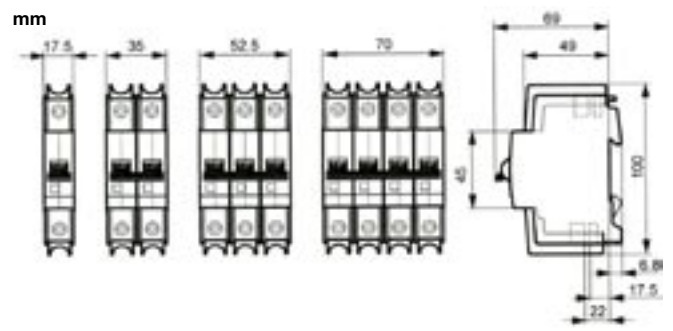
S200 & S200P



S200U

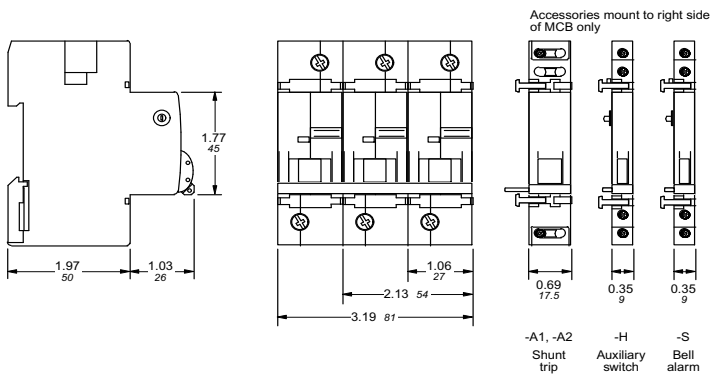


S200UP



14

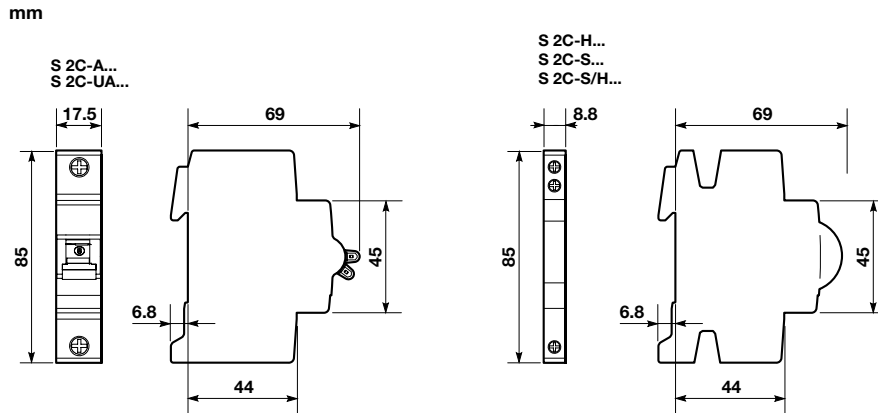
S290



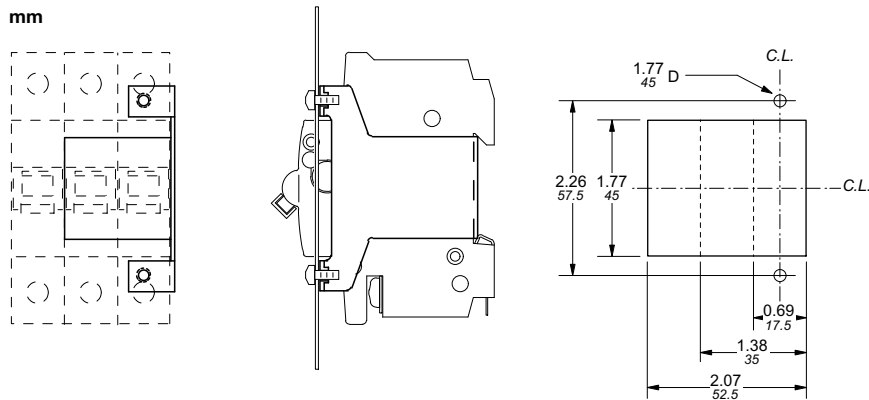
Approximate dimensions Accessories

00.00 Inches
00.00 [Millimeters]

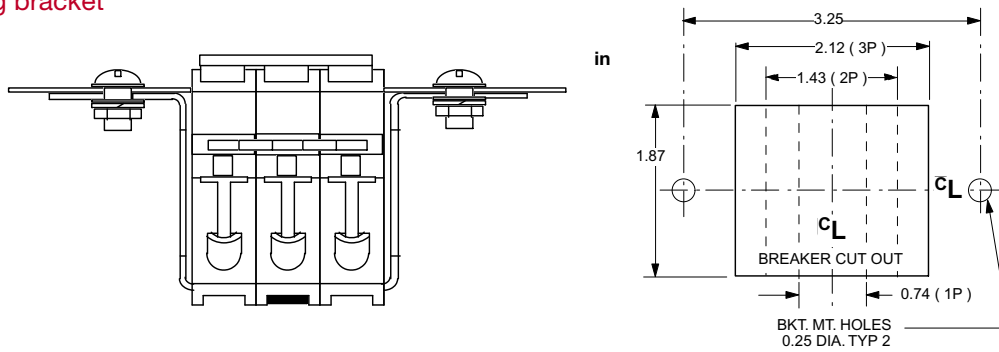
Accessories



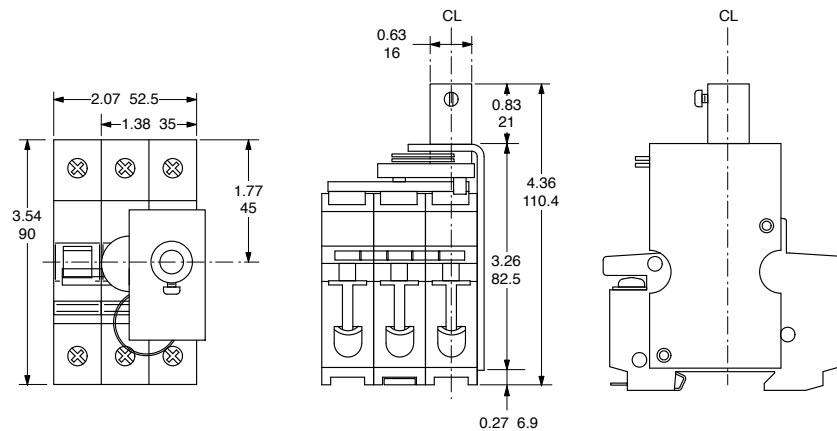
MB-CL Front mounting clip



MB-3PD Front mounting bracket



S2C-DH Handle mechanism

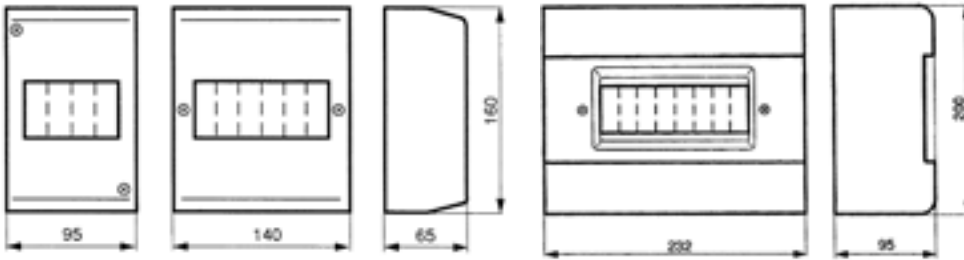
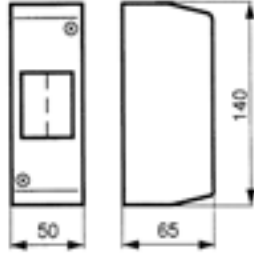


Approximate dimensions Accessories

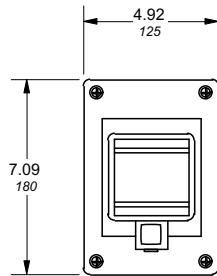
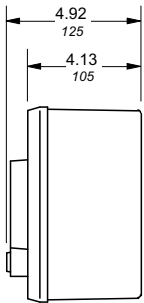
00.00 Inches
00.00 [Millimeters]

12402-12408

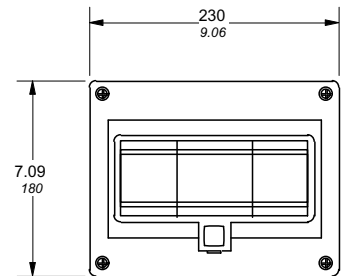
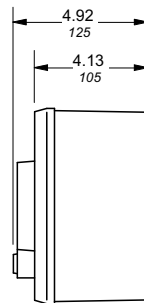
mm



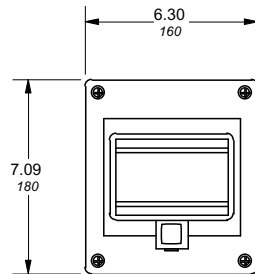
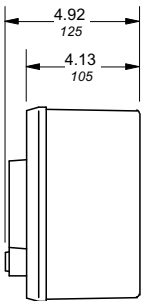
12644



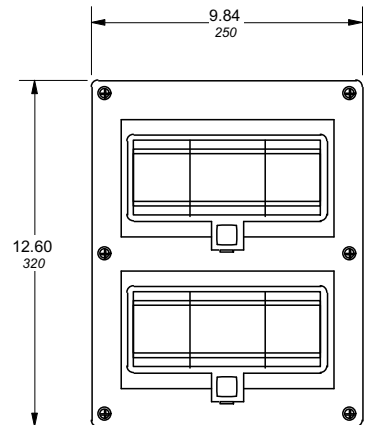
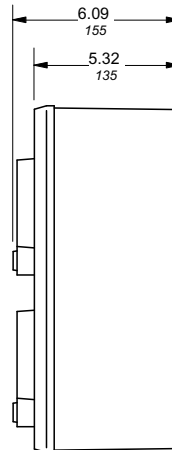
12650



12646



12652



14

Cross-reference

System
pro M compact

Older version	Suggested replacement series	Physical comparison	Electrical comparison
S260-B	S200-B	Same pole spacing	Same trip characteristic
S260-C	S200-C	Same pole spacing	Same trip characteristic
S260-D	S200-D	Same pole spacing	Same trip characteristic
S270-K	S200-K	Same pole spacing	Same trip characteristic
S280-K	S200P-K	Same pole spacing	Same trip characteristic
S280-Z	S200P-Z	Same pole spacing	Same trip characteristic
S280U-K	S200U-K	Same pole spacing	Same trip characteristic
S280UX-K	S200U-K	Smaller pole spacing	Same trip characteristic

Many older styles of ABB miniature circuit breakers have been replaced by new and improved versions. Many of these newer styles can be directly interchanged, both electrically and physically, with the older version. There are also many international styles of ABB circuit breakers which are not normal stock items and may be interchanged with stocked ABB versions.

