

Inductive 3 Wire DC Sensing range: 0.8mm

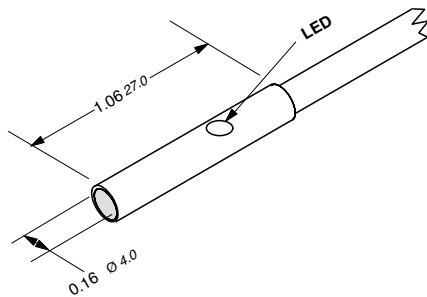
Proximity
Sensors

Operating distance		0.8mm	0.8mm
Catalog number		SIF0.8Z4NU2PO	SIF0.8Z4NC8PO
List price		\$ 107.00	\$ 111.00
Sensor mounting		Shielded	Shielded
Output		PNP Normally Open	PNP Normally Open
Suf \square PO			
Suf \square NO			
Operating voltage	VDC	10 – 30	10 – 30
Load current	mA	100	100
Switching frequency	Hz	600	600
No load supply current	mA	10	10
Voltage drop	VDC	2.0	2.0
Short circuit protection		yes	yes
Reverse polarity protection		yes	yes
Output indication		LED yellow	LED yellow
Operating temperature	°F	-13 ... +158	-13 ... +158
Protection		IP67	IP67
IEC		IP67	IP67
Approvals			
CE		yes	yes
UL Listed		yes	yes
CSA		yes	yes
Wire size		26 AWG/0.14 ^{mm2}	—
Housing material		Stainless steel	Stainless steel
Housing diameter		4	4
Sensing face		Crastin	Crastin
Connection		2 m, PUR cable	Connector M8

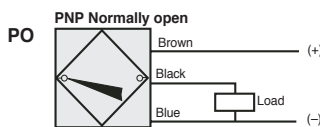


10

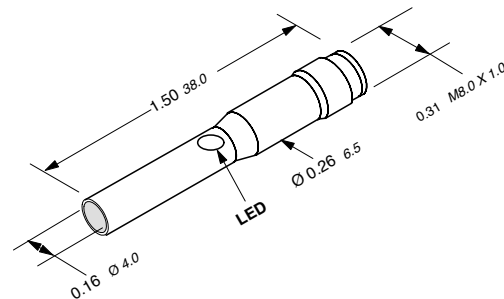
Approximate dimensions



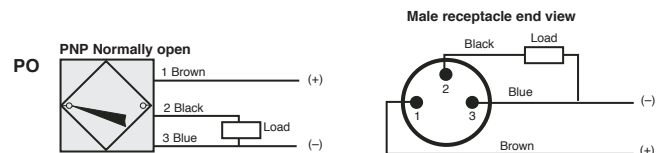
Wiring diagrams



Approximate dimensions



Wiring diagrams





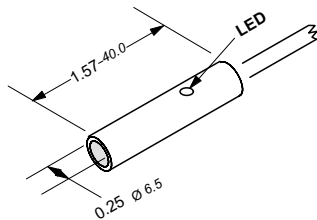
Inductive 3 Wire DC Sensing range: 1.5mm

Operating distance		1.5mm	1.5mm
Catalog number		SIF1.5Z6NU2PO	SIF1.5Z6NC8PO
List price		\$ 80.00	\$ 82.00
Sensor mounting		Shielded	Shielded
Output			
Suffix PO		PNP Normally Open	PNP Normally Open
Suffix NO			
Operating voltage	VDC	10 – 60	10 – 60
Load current	mA	100	100
Switching frequency	Hz	500	500
No load supply current	mA	15	15
Voltage drop	VDC	2	2
Short circuit protection		yes	yes
Reverse polarity protection		yes	yes
Output indication		LED yellow	LED yellow
Operating temperature	°F	-13 ... +158	-13 ... +158
Protection IEC		IP67	IP67
Approvals			
CE		yes	yes
UL Listed		yes	yes
CSA		yes	yes
Wire size		26 AWG/0.14mm ²	—
Housing material		Stainless steel	Stainless steel
Housing diameter	mm	6.5	6.5
Sensing face		Crastin	Crastin
Connection		2 m, PUR cable	Connector M8

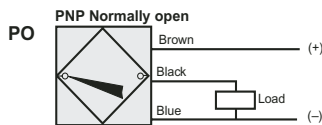


10

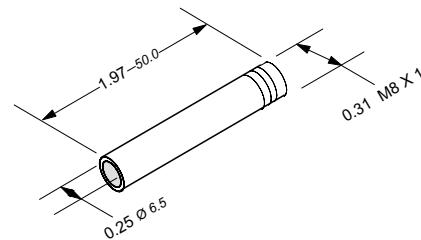
Approximate dimensions



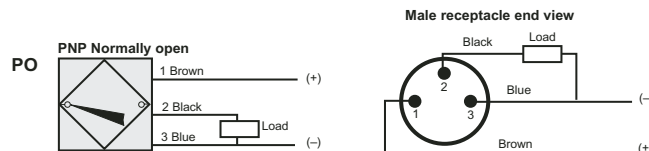
Wiring diagrams



Approximate dimensions



Wiring diagrams



Inductive 3 Wire DC Sensing range: 1.5mm

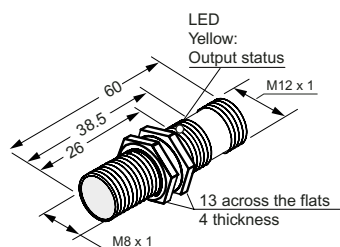
Operating distance		1.5mm
Catalog number		SIF1.5M8EC1PO SIF1.5M8EC1NO
List price		\$ 68.00
Sensor mounting		Shielded
Output		
Suffix PO		PNP Normally Open
Suffix NO		NPN Normally Open
Operating voltage	VDC	10 – 60
Load current	mA	100
Switching frequency	Hz	5000
No load supply current	mA	≤15
Voltage drop	VDC	≤2
Short circuit protection		yes
Reverse polarity protection		yes
Output indication		LED yellow
Operating temperature	°F	-14 ... +158
Protection		
IEC		IP67
Approvals		
CE		yes
UL Listed		yes
CSA		yes
Wire size		—
Housing material		Stainless steel
Housing diameter	mm	8
Sensing face		Crastin
Connection		Connector M12



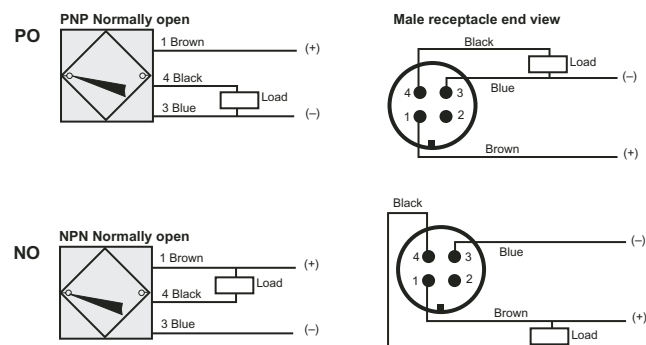
SIF1.5M8EC1PO

10

Approximate dimensions



Wiring diagrams





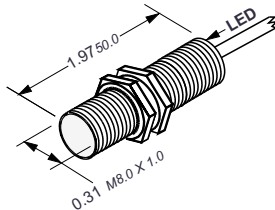
Inductive 3 Wire DC Sensing range: 1.5mm

Operating distance		1.5mm	1.5mm
Catalog number		SIF1.5M8NV2PO SIF1.5M8NV2NO	SIF1.5M8SU2PO
List price		\$ 76.00	\$ 85.00
Sensor mounting		Shielded	Shielded
Output			
Suffix PO		PNP Normally Open	PNP Normally Open
Suffix NO		NPN Normally Open	—
Operating voltage	VDC	10 – 30	10 – 60
Load current	mA	100	100
Switching frequency	Hz	1500	500
No load supply current	mA	15	15
Voltage drop	VDC	2	2
Short circuit protection		yes	yes
Reverse polarity protection		yes	yes
Output indication		LED yellow	LED yellow
Operating temperature	°F	-13 ... +158	-13 ... +158
Protection IEC		IP67	IP67
Approvals			
CE		yes	yes
UL Listed		yes	yes
CSA		yes	yes
Wire size		26 AWG/0.14mm ²	26 AWG/0.14mm ²
Housing material		Nickel-plated brass	Stainless steel
Housing diameter	mm	8	8
Sensing face		Crastin	Crastin
Connection		2 m, PVC cable	2 m, PUR cable

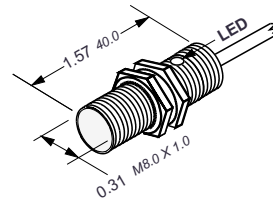


10

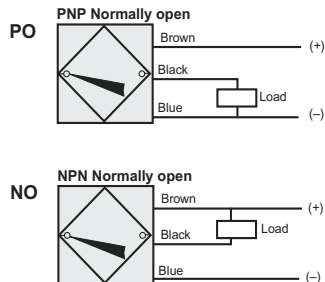
Approximate dimensions



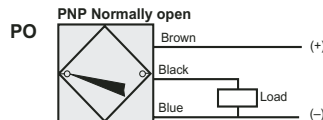
Approximate dimensions



Wiring diagrams



Wiring diagrams



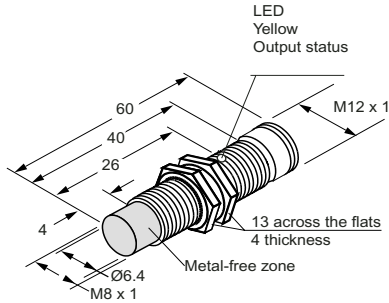
Inductive 3 Wire DC Sensing range: 2mm

Operating distance		2mm
Catalog number		SIN2M8EC1PO
List price		\$ 68.00
Sensor mounting		Non-shielded
Output		PNP Normally Open
Suffix PO		
Suffix NO		
Operating voltage	VDC	10 – 60
Load current	mA	100
Switching frequency	Hz	500
No load supply current	mA	≤15
Voltage drop	VDC	≤2
Short circuit protection		yes
Reverse polarity protection		yes
Output indication		LED yellow
Operating temperature	°F	-14 ... +158
Protection		IP67
IEC		
Approvals		
CE		yes
UL Listed		yes
CSA		yes
Wire size		—
Housing material		Stainless steel
Housing diameter		8
Sensing face		Crastin
Connection		Connector M12

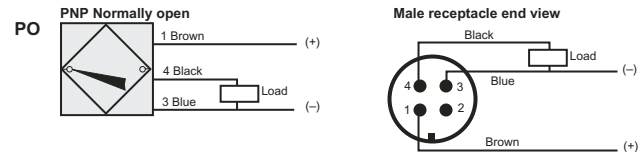


10

Approximate dimensions



Wiring diagrams





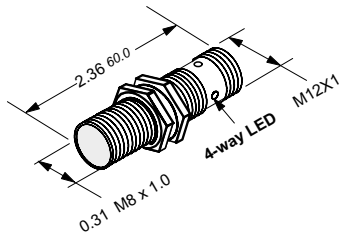
Inductive 3 Wire DC Sensing range: 1.5mm – 2mm

Operating distance		1.5mm	2mm
Catalog number		SIF1.5M8SC1PO SIF1.5M8SC1NO \$ 80.00	SIN2M8NV2PO SIN2M8NV2NO \$ 76.00
List price			
Sensor mounting		Shielded	Non-shielded
Output			
Suffix PO		PNP Normally Open	PNP Normally Open
Suffix NO		NPN Normally Open	NPN Normally Open
Operating voltage	VDC	10 – 30	10 – 30
Load current	mA	100	100
Switching frequency	Hz	1500	1500
No load supply current	mA	15	15
Voltage drop	VDC	2	2
Short circuit protection		yes	yes
Reverse polarity protection		yes	yes
Output indication		Ring LED yellow	LED yellow
Operating temperature	°F	-13 ... +158	-13 ... +158
Protection			
IEC		IP67	IP67
Approvals			
CE		yes	yes
UL Listed		yes	yes
CSA		yes	yes
Wire size		—	26 AWG/0.14mm ²
Housing material		Nickel-plated brass	Nickel-plated brass
Housing diameter	mm	8	8
Sensing face		Crastin	Crastin
Connection		Connector M12	2 m, PVC cable

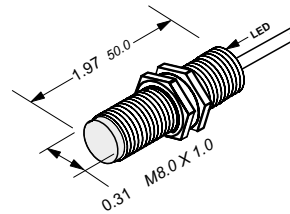


10

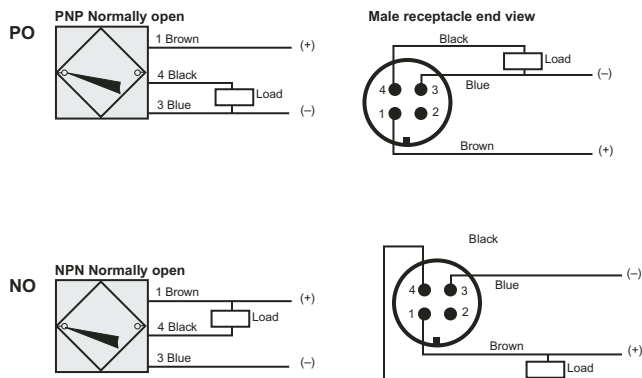
Approximate dimensions



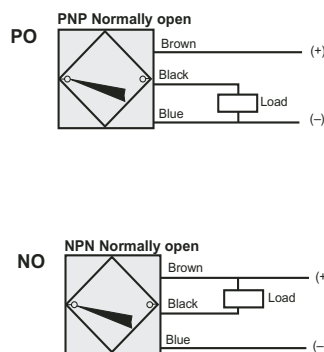
Approximate dimensions



Wiring diagrams



Wiring diagrams



Inductive 3 Wire DC Sensing range: 2mm

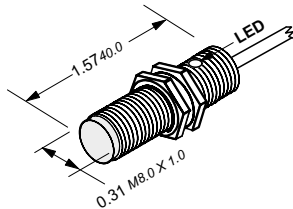
Proximity
Sensors

Operating distance		2mm	2mm
Catalog number		SIN2M8SU2PO	SIN2M8NC1PO SIN2M8NC1NO
List price		\$ 85.00	\$ 80.00
Sensor mounting		Non-shielded	Non-shielded
Output			
Suffix PO		PNP Normally Open	PNP Normally Open
Suffix NO			NPN Normally Open
Operating voltage	VDC	10 – 60	10 – 30
Load current	mA	100	200
Switching frequency	Hz	500	1500
No load supply current	mA	15	15
Voltage drop	VDC	2	2
Short circuit protection		yes	yes
Reverse polarity protection		yes	yes
Output indication		LED yellow	Ring LED yellow
Operating temperature	°F	-13 ... +158	-13 ... +158
Protection			
IEC		IP67	IP67
Approvals			
CE		yes	yes
UL Listed		yes	yes
CSA		yes	yes
Wire size		26 AWG/0.14 _{mm} ²	—
Housing material		Stainless steel	Nickel-plated brass
Housing diameter	mm	8	8
Sensing face		Crastin	Crastin
Connection		2 m, PUR cable	Connector M12

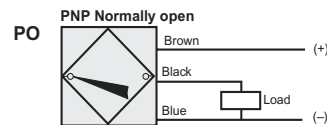


10

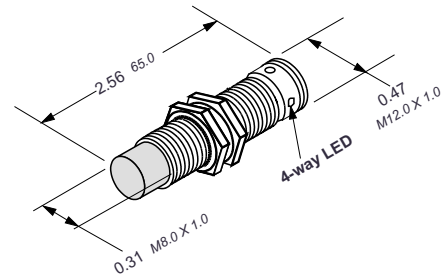
Approximate dimensions



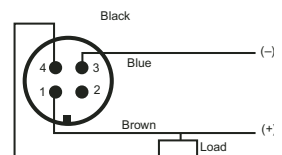
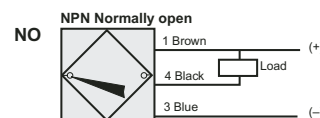
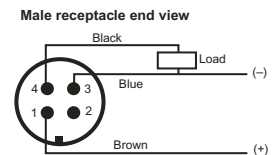
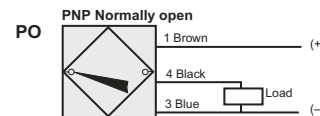
Wiring diagrams



Approximate dimensions



Wiring diagrams





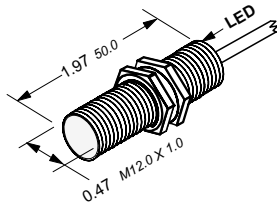
Inductive 3 Wire DC Sensing range: 2mm

Operating distance		2mm	2mm
Catalog number		SIF2M12NV2PO SIF2M12NV2NO	SIF2M12SU2PO
List price		\$ 72.00	\$ 81.00
Sensor mounting		Shielded	Shielded
Output			
Suffix PO		PNP Normally Open	PNP Normally Open
Suffix NO		NPN Normally Open	
Operating voltage	VDC	10 – 30	10 – 60
Load current	mA	200	200
Switching frequency	Hz	1500	3000
No load supply current	mA	15	15
Voltage drop	VDC	2	2
Short circuit protection		yes	yes
Reverse polarity protection		yes	yes
Output indication		LED yellow	LED yellow
Operating temperature	°F	-13 ... +158	-13 ... +158
Protection			
IEC		IP67	IP67
Approvals			
CE		yes	yes
UL Listed		yes	yes
CSA		yes	yes
Wire size		22 AWG/0.14mm ²	22 AWG/0.14mm ²
Housing material		Nickel-plated brass	Stainless steel
Housing diameter	mm	12	12
Sensing face		Crastin	Crastin
Connection		2 m, PVC cable	2 m, PUR cable

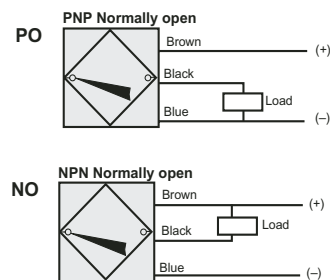


10

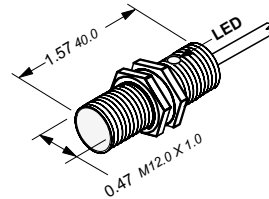
Approximate dimensions



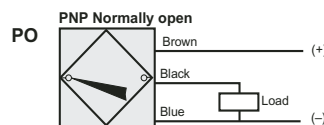
Wiring diagrams



Approximate dimensions



Wiring diagrams



Inductive 3 Wire DC Sensing range: 2mm

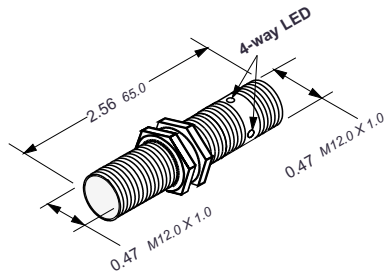
Proximity
Sensors

Operating distance		2mm	2mm
Catalog number		SIF2M12NC1PO SIF2M12NC1NO	SIF2M12SC1PO
List price		\$ 76.00	\$ 76.00
Sensor mounting		Shielded	Shielded
Output			
Suffix PO		PNP Normally Open	PNP Normally Open
Suffix NO		NPN Normally Open	
Operating voltage	VDC	10 – 30	10 – 30
Load current	mA	200	200
Switching frequency	Hz	1500	1500
No load supply current	mA	15	15
Voltage drop	VDC	2	2
Short circuit protection		yes	yes
Reverse polarity protection		yes	yes
Output indication		Ring LED yellow	LED yellow
Operating temperature	°F	-13 ... +158	-13 ... +158
Protection			
IEC		IP67	IP67
Approvals			
CE		yes	yes
UL Listed		yes	yes
CSA		yes	yes
Wire size		—	—
Housing material		Nickel-plated brass	Nickel-plated brass
Housing diameter	mm	12	12
Sensing face		Crastin	Crastin
Connection		Connector M12	Connector M12

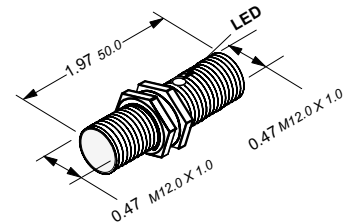


10

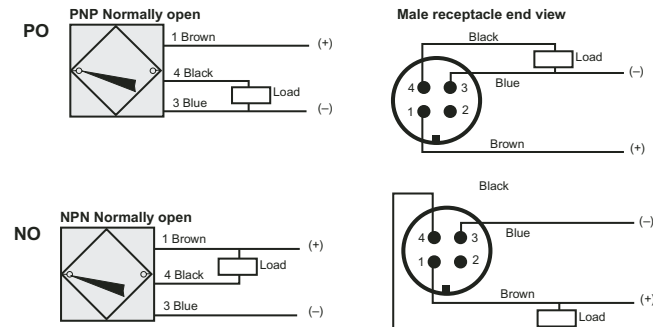
Approximate dimensions



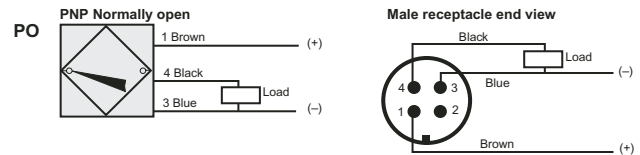
Approximate dimensions



Wiring diagrams



Wiring diagrams





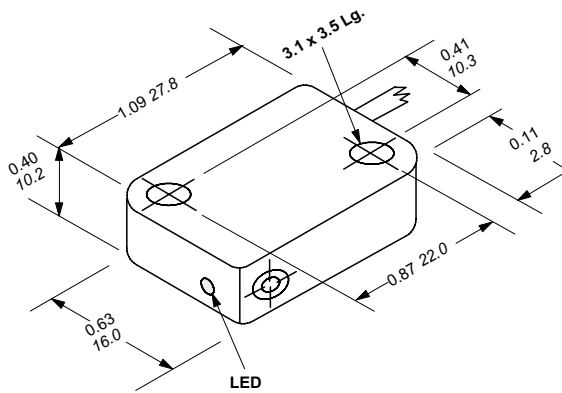
Inductive 3 Wire DC Sensing range: 2mm

Operating distance		2mm	2mm
Catalog number		SIF2B28NV0.1PO SIF2B28NV0.1NO	SIF2B28NV0.1PC SIF2B28NV0.1NC
List price		\$ 109.00	\$ 109.00
Sensor mounting		Shielded	Shielded
Output			
Suffix PO/PC		PNP Normally Open	PNP Normally Closed
Suffix NO/NC		NPN Normally Open	NPN Normally Closed
Operating voltage	VDC	10 – 30	10 – 30
Load current	mA	100	100
Switching frequency	Hz	1000	1000
No load supply current	mA	15	15
Voltage drop	VDC	2	2
Short circuit protection		yes	yes
Reverse polarity protection		yes	yes
Output indication		LED yellow	LED yellow
Operating temperature	°F	-13 ... +158	-13 ... +158
Protection			
IEC		IP67	IP67
Approvals			
CE		yes	yes
UL Listed		yes	yes
CSA		yes	yes
Wire size		26 AWG/0.14mm ²	26 AWG/0.14mm ²
Housing material		Crastin	Crastin
Housing diameter	mm	—	—
Sensing face		Crastin	Crastin
Connection		0.1 m, PVC cable	0.1 m, PVC cable

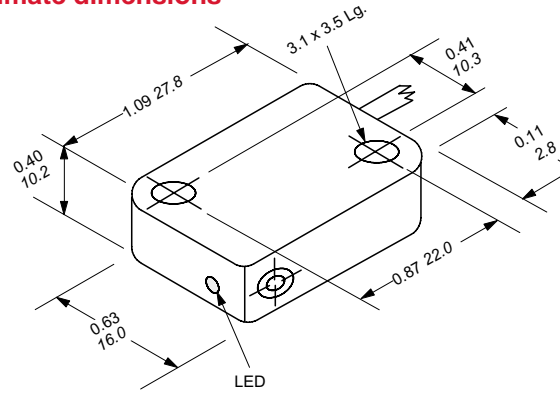


10

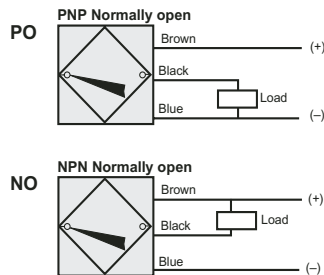
Approximate dimensions



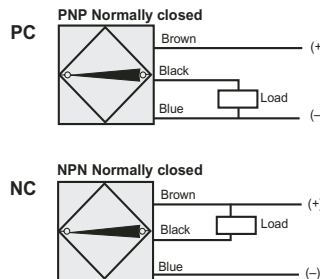
Approximate dimensions



Wiring diagrams



Wiring diagrams



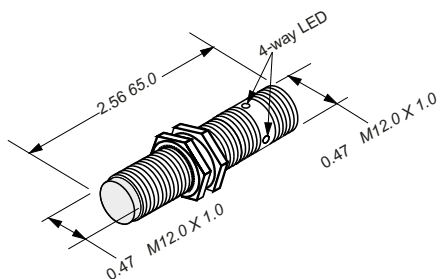
Inductive 3 Wire DC Sensing range: 2mm

Operating distance		2mm
Catalog number		SIF2M12NC1PC
List price		\$ 76.00
Sensor mounting		Shielded
Output		
Suffix PO		
Suffix PC		PNP Normally Closed
Operating voltage	VDC	10 – 30
Load current	mA	200
Switching frequency	Hz	1500
No load supply current	mA	15
Voltage drop	VDC	2
Short circuit protection		yes
Reverse polarity protection		yes
Output indication		Ring LED yellow
Operating temperature	°F	-13 ... +158
Protection		
IEC		IP67
Approvals		
CE		yes
UL Listed		yes
CSA		yes
Wire size		—
Housing material		Nickel-plated brass
Housing diameter		mm 12
Sensing face		Crastin
Connection		Connector M12

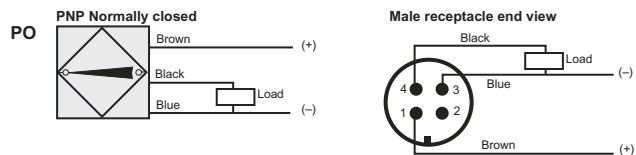


10

Approximate dimensions



Wiring diagrams





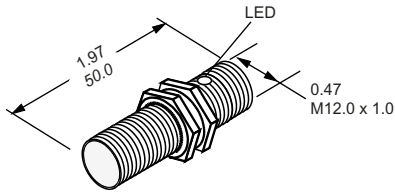
Inductive 3 Wire DC Sensing range: 2mm

Operating distance		2mm
Catalog number		SIF2M12EC1PO SIF2M12EC1NO
List price		\$ 60.00
Sensor mounting		Shielded
Output		
Suffix PO		PNP Normally Open
Suffix NO		NPN Normally Open
Operating voltage	VDC	10 – 60
Load current	mA	200
Switching frequency	Hz	3000
No load supply current	mA	≤15
Voltage drop	VDC	≤2
Short circuit protection		yes
Reverse polarity protection		yes
Output indication		LED yellow
Operating temperature	°F	-14 ... +158
Protection		
IEC		IP67
Approvals		
CE		yes
UL Listed		yes
CSA		yes
Wire size		—
Housing material		Stainless steel
Housing diameter		12
Sensing face		Crastin
Connection		Connector M12

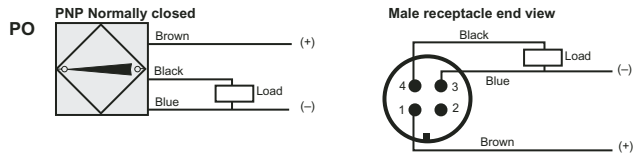


10

Approximate dimensions



Wiring diagrams



Inductive 3 Wire DC Sensing range: 3mm

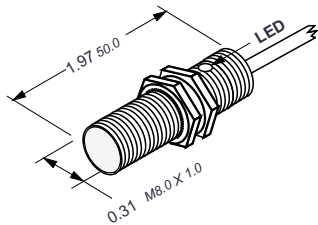
Proximity
Sensors

Operating distance		3mm	3mm
Catalog number		SIN3M8NV2PO	SIN3M8NC8PO
List price		\$ 125.00	\$ 128.00
Sensor mounting		Non-shielded	Non-shielded
Output		PNP Normally Open	PNP Normally Open
Suffix PO			
Suffix NO			
Operating voltage	VDC	10 – 30	10 – 30
Load current	mA	200	200
Switching frequency	Hz	1000	1000
No load supply current	mA	10	10
Voltage drop	VDC	2	2
Short circuit protection		yes	yes
Reverse polarity protection		yes	yes
Output indication		LED yellow	LED yellow
Operating temperature	°F	-13 ... +158	-13 ... +158
Protection			
IEC		IP67	IP67
Approvals			
CE		yes	yes
UL Listed		yes	yes
CSA		yes	yes
Wire size		26 AWG/0.14mm ²	—
Housing material		Nickel-plated brass	Nickel-plated brass
Housing diameter	mm	8	8
Sensing face		Crastin	Crastin
Connection		2 m, PVC cable	Connector M8

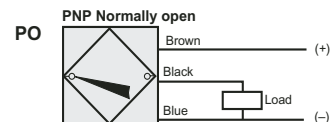


10

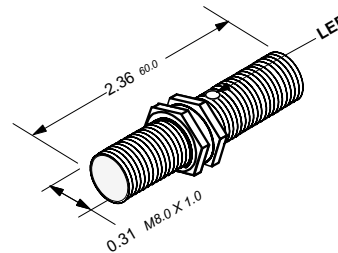
Approximate dimensions



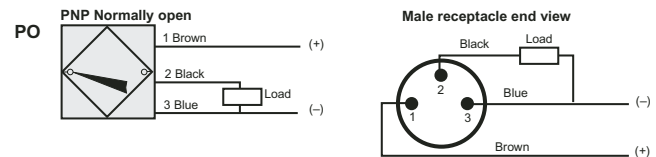
Wiring diagrams



Approximate dimensions



Wiring diagrams





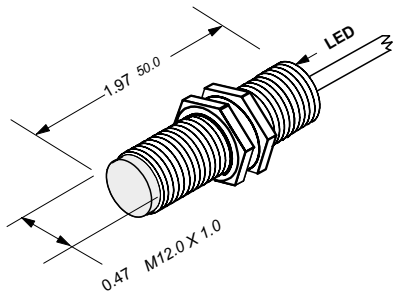
Inductive 3 Wire DC Sensing range: 4mm

Operating distance		4mm	4mm
Catalog number		SIN4M12NV2PO SIN4M12NV2NO	SIN4M12SU2PO
List price		\$ 72.00	\$ 81.00
Sensor mounting		Non-shielded	Non-shielded
Output			
Suffix PO		PNP Normally Open	PNP Normally Open
Suffix NO		NPN Normally Open	
Operating voltage	VDC	10 – 30	10 – 30
Load current	mA	200	200
Switching frequency	Hz	1500	1500
No load supply current	mA	15	15
Voltage drop	VDC	2	2
Short circuit protection		yes	yes
Reverse polarity protection		yes	yes
Output indication		LED yellow	LED yellow
Operating temperature	°F	-13 ... +158	-13 ... +158
Protection			
IEC		IP67	IP67
Approvals			
CE		yes	yes
UL Listed		yes	yes
CSA		yes	yes
Wire size		26 AWG/0.14mm ²	26 AWG/0.14mm ²
Housing material		Nickel-plated brass	Nickel-plated brass
Housing diameter	mm	12	12
Sensing face		Crastin	Crastin
Connection		2 m, PVC cable	2 m, PUR cable

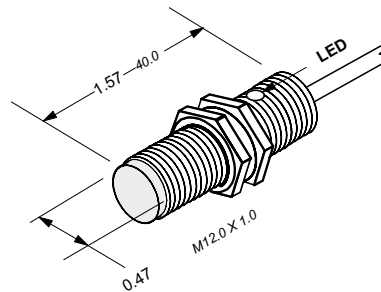


10

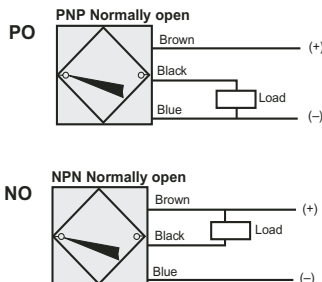
Approximate dimensions



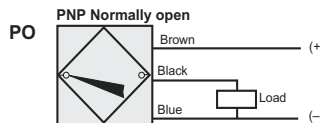
Approximate dimensions



Wiring diagrams



Wiring diagrams



Inductive 3 Wire DC Sensing range: 4mm

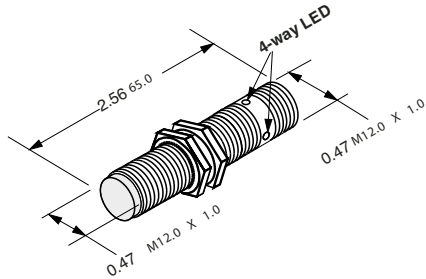
Proximity
Sensors

Operating distance		4mm	4mm
Catalog number		SIN4M12NC1PO SIN4M12NC1NO	SIN4M12SC1PO
List price		\$ 76.00	\$ 76.00
Sensor mounting		Non-shielded	Non-shielded
Output			
Suffix PO		PNP Normally Open	PNP Normally Open
Suffix NO		NPN Normally Open	
Operating voltage	VDC	10 – 30	10 – 30
Load current	mA	200	200
Switching frequency	Hz	1500	1500
No load supply current	mA	15	15
Voltage drop	VDC	2	2
Short circuit protection		yes	yes
Reverse polarity protection		yes	yes
Output indication		Ring LED yellow	LED yellow
Operating temperature	°F	-13 ... +158	-13 ... +158
Protection			
IEC		IP67	IP67
Approvals			
CE		yes	yes
UL Listed		yes	yes
CSA		yes	yes
Wire size		—	—
Housing material		Nickel-plated brass	Nickel-plated brass
Housing diameter		12	12
Sensing face		Crastin	Crastin
Connection		Connector M12	Connector M12

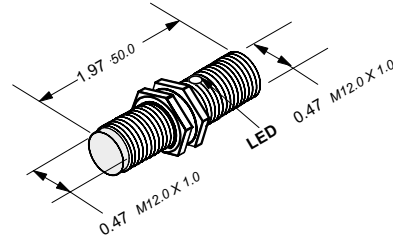


10

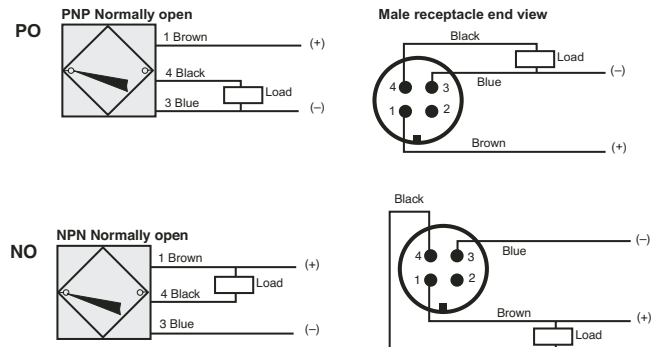
Approximate dimensions



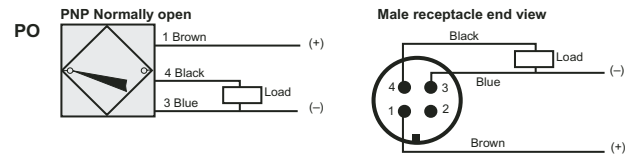
Approximate dimensions

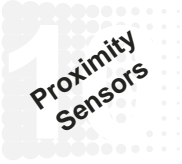


Wiring diagrams



Wiring diagrams





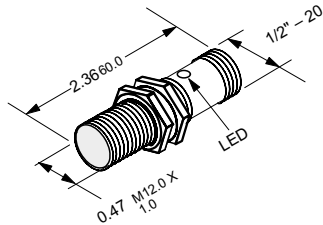
Inductive 3 Wire DC Sensing range: 4mm

Operating distance		4mm
Catalog number		SIN4M12EC1PO SIN4M12EC1NO
List price		\$ 60.00
Sensor mounting		Non-shielded
Output		PNP Normally Open NPN Normally Open
Suffix PO		PNP Normally Open
Suffix NO		NPN Normally Open
Operating voltage	VDC	10 – 60
Load current	mA	200
Switching frequency	Hz	2000
No load supply current	mA	≤15
Voltage drop	VDC	≤2
Short circuit protection		yes
Reverse polarity protection		yes
Output indication		LED yellow
Operating temperature	°F	-14 ... +158
Protection		IEC
		IP67
Approvals		
	CE	yes
	UL Listed	yes
	CSA	yes
Wire size		—
Housing material		Stainless steel
Housing diameter	mm	12
Sensing face		Crastin
Connection		Connector M12

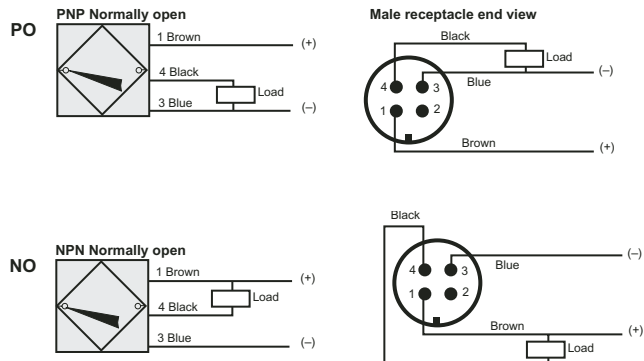


10

Approximate dimensions



Wiring diagrams



Inductive 3 Wire DC Sensing range: 5mm

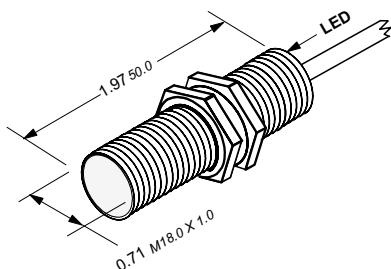
Proximity
Sensors

Operating distance		5mm	5mm
Catalog number		SIF5M18NV2PO SIF5M18NV2NO	SIF5M18NC1PO SIF5M18NC1NO
List price		\$ 82.00	\$ 84.00
Sensor mounting		Shielded	Shielded
Output			
Suffix PO		PNP Normally Open	PNP Normally Open
Suffix NO		NPN Normally Open	NPN Normally Open
Operating voltage	VDC	10 – 30	10 – 30
Load current	mA	200	200
Switching frequency	Hz	800	800
No load supply current	mA	15	15
Voltage drop	VDC	2	2
Short circuit protection		yes	yes
Reverse polarity protection		yes	yes
Output indication		LED yellow	Ring LED yellow
Operating temperature	°F	-13 ... +158	-13 ... +158
Protection			
IEC		IP67	IP67
Approvals			
CE		yes	yes
UL Listed		yes	yes
CSA		yes	yes
Wire size		22 AWG/0.14mm ²	—
Housing material		Nickel-plated brass	Nickel-plated brass
Housing diameter	mm	18	18
Sensing face		Crastin	Crastin
Connection		2 m, PVC cable	Connector M12

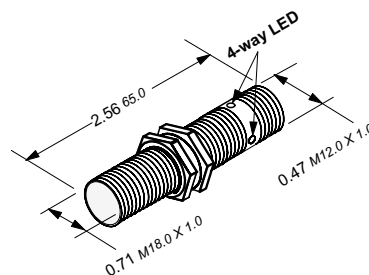


10

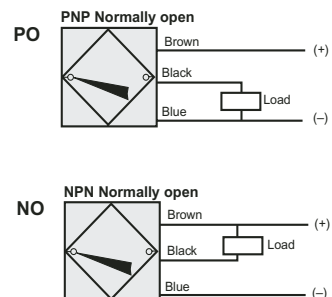
Approximate dimensions



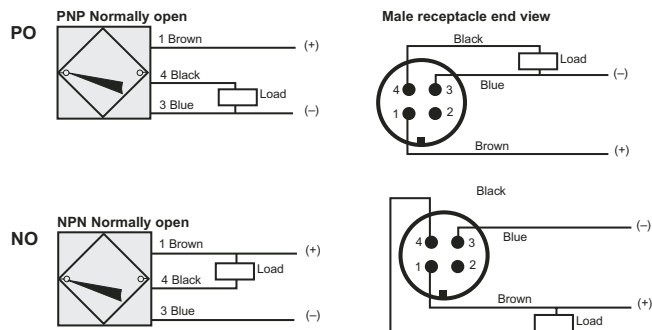
Approximate dimensions



Wiring diagrams



Wiring diagrams





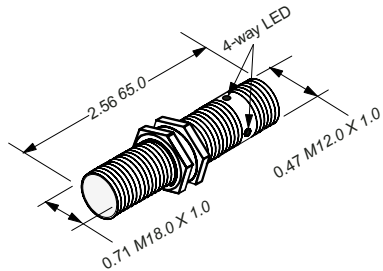
Inductive 3 Wire DC Sensing range: 5mm

Operating distance		5mm
Catalog number		SIF5M18EC1PO SIF5M18EC1NO
List price		\$ 63.00
Sensor mounting		Shielded
Output		
Suffix PO		PNP Normally Open
Suffix NO		NPN Normally Open
Operating voltage	VDC	10 – 60
Load current	mA	200
Switching frequency	Hz	1500
No load supply current	mA	≤15
Voltage drop	VDC	≤2
Short circuit protection		yes
Reverse polarity protection		yes
Output indication		Ring LED yellow
Operating temperature	°F	-14 ... +158
Protection		
IEC		IP67
Approvals		
CE		yes
UL Listed		yes
CSA		yes
Wire size		—
Housing material		Stainless steel
Housing diameter		18
Sensing face		Crastin
Connection		Connector M12

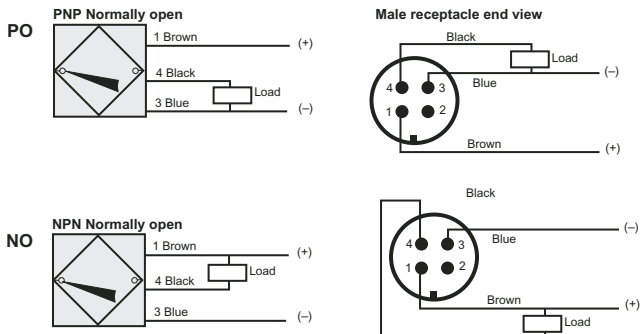


10

Approximate dimensions



Wiring diagrams



Inductive 3 Wire DC Sensing range: 6mm

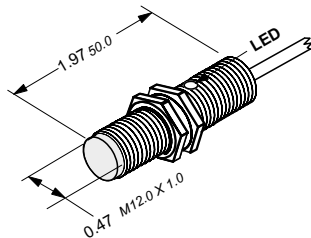
Proximity
Sensors

Operating distance		6mm	6mm
Catalog number		SIN6M12NV2PO	SIN6M12NC1PO
List price		\$ 118.00	\$ 124.00
Sensor mounting		Non-shielded	Non-shielded
Output			
Suffix PO		PNP Normally Open	PNP Normally Open
Suffix NO		—	—
Operating voltage	VDC	10 – 30	10 – 30
Load current	mA	200	200
Switching frequency	Hz	800	800
No load supply current	mA	15	15
Voltage drop	VDC	2	2
Short circuit protection		yes	yes
Reverse polarity protection		yes	yes
Output indication		LED yellow	LED yellow
Operating temperature	°F	-13 ... +158	-13 ... +158
Protection			
IEC		IP67	IP67
Approvals			
CE		yes	yes
UL Listed		yes	yes
CSA		yes	yes
Wire size		22 AWG/0.34mm ²	—
Housing material		Nickel-plated brass	Nickel-plated brass
Housing diameter		mm 12	12
Sensing face		Crastin	Crastin
Connection		2 m, PVC cable	Connector M12

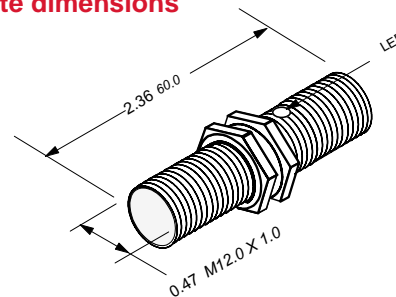


10

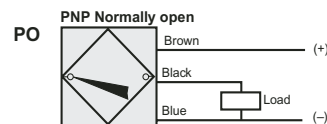
Approximate dimensions



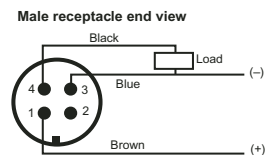
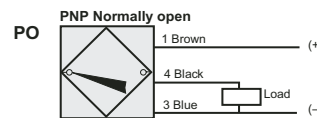
Approximate dimensions



Wiring diagrams



Wiring diagrams





Inductive 3 Wire DC Sensing range: 6mm

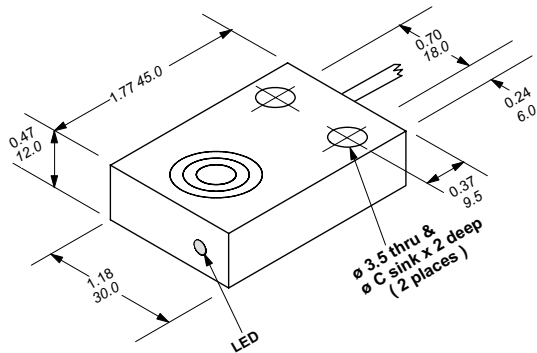
Operating distance		6mm
Catalog number		SIF6B45NV2PO
List price		\$ 120.00
Sensor mounting		Shielded
Output		PNP Normally Open
Suffix PO		—
Suffix NO		—
Operating voltage	VDC	10 – 60
Load current	mA	200
Switching frequency	Hz	500
No load supply current	mA	15
Voltage drop	VDC	2
Short circuit protection		yes
Reverse polarity protection		yes
Output indication		LED yellow
Operating temperature	°F	-13 ... +158
Protection		IP67
IEC		IP67
Approvals		
CE		yes
UL Listed		yes
CSA		yes
Wire size		22 AWG/0.34mm ²
Housing material		Crastin
Housing diameter	mm	—
Sensing face		Crastin
Connection		2 m, PVC cable



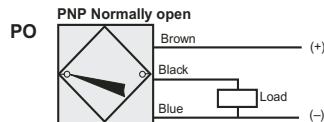
SIF6B45NV2PO

10

Approximate dimensions



Wiring diagrams



Inductive 3 Wire DC Sensing range: 8mm

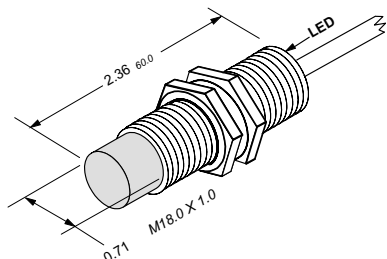
Proximity
Sensors

Operating distance		8mm	8mm
Catalog number		SIN8M18NV2PO SIN8M18NV2NO	SIN8M18NC1PO SIN8M18NC1NO
List price		\$ 82.00	\$ 84.00
Sensor mounting		Non-shielded	Non-shielded
Output		PNP Normally Open NPN Normally Open	PNP Normally Open NPN Normally Open
Operating voltage	VDC	10 – 30	10 – 30
Load current	mA	200	200
Switching frequency	Hz	500	500
No load supply current	mA	15	15
Voltage drop	VDC	2	2
Short circuit protection		yes	yes
Reverse polarity protection		yes	yes
Output indication		LED yellow	Ring LED yellow
Operating temperature	°F	-13 ... +158	-13 ... +158
Protection		IP67	IP67
Approvals			
CE		yes	yes
UL Listed		yes	yes
CSA		yes	yes
Wire size		22 AWG/0.34mm ²	—
Housing material		Nickel-plated brass	Nickel-plated brass
Housing diameter	mm	18	18
Sensing face		Crastin	Crastin
Connection		2 m, PVC cable	Connector M12

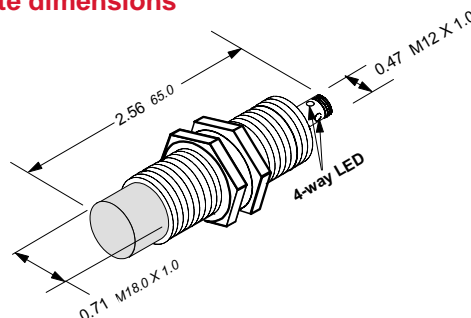


10

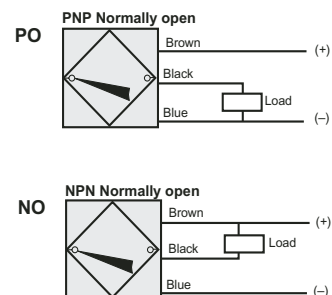
Approximate dimensions



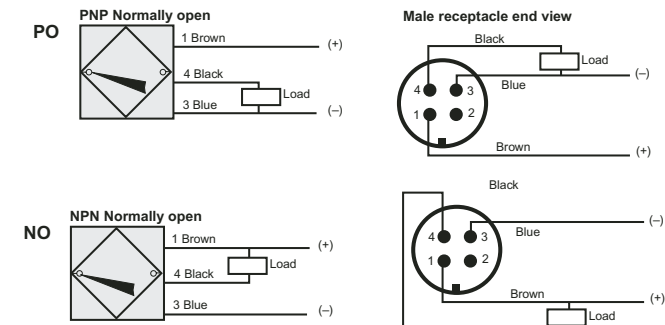
Approximate dimensions



Wiring diagrams



Wiring diagrams





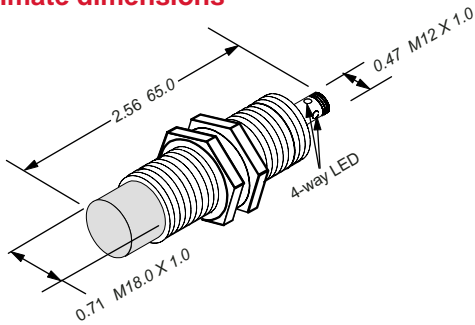
Inductive 3 Wire DC Sensing range: 8mm

Operating distance		8mm
Catalog number		SIN8M18EC1PO
List price		\$ 63.00
Sensor mounting		Non-shielded
Output		PNP Normally Open
Suffix PO		
Suffix NO		
Operating voltage	VDC	10 – 60
Load current	mA	200
Switching frequency	Hz	1000
No load supply current	mA	≤15
Voltage drop	VDC	≤2
Short circuit protection		yes
Reverse polarity protection		yes
Output indication		Ring LED yellow
Operating temperature	°F	-14 ... +158
Protection		IP67
IEC		
Approvals		
CE		yes
UL Listed		yes
CSA		yes
Wire size		—
Housing material		Stainless steel
Housing diameter		18
Sensing face		Crastin
Connection		Connector M12

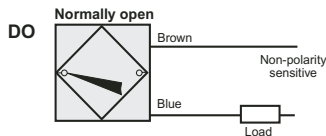


10

Approximate dimensions



Wiring diagrams



Inductive 3 Wire DC Sensing range: 10mm

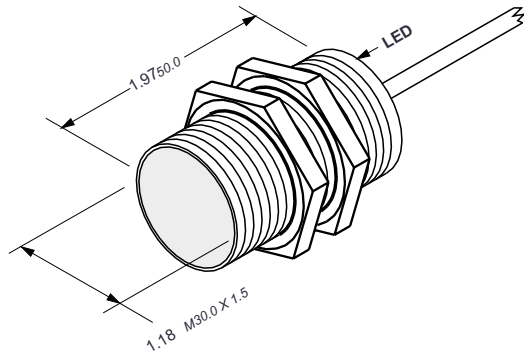
Proximity
Sensors

Operating distance		10mm	10mm
Catalog number		SIF10M30NV2PO SIF10M30NV2NO	SIF10M30NC1PO SIF10M30NC1NO
List price		\$ 86.00	\$ 88.00
Sensor mounting		Shielded	Shielded
Output			
Suffix PO		PNP Normally Open	PNP Normally Open
Suffix NO		NPN Normally Open	NPN Normally Open
Operating voltage	VDC	10 – 30	10 – 30
Load current	mA	200	200
Switching frequency	Hz	200	200
No load supply current	mA	15	15
Voltage drop	VDC	2	2
Short circuit protection		yes	yes
Reverse polarity protection		yes	yes
Output indication		LED yellow	Ring LED yellow
Operating temperature	°F	-13 ... +158	-13 ... +158
Protection			
IEC		IP67	IP67
Approvals			
CE		yes	yes
UL Listed		yes	yes
CSA		yes	yes
Wire size		22 AWG/0.34mm ²	—
Housing material		Nickel-plated brass	Nickel-plated brass
Housing diameter	mm	30	30
Sensing face		Crastin	Crastin
Connection		2 m, PVC cable	Connector M12

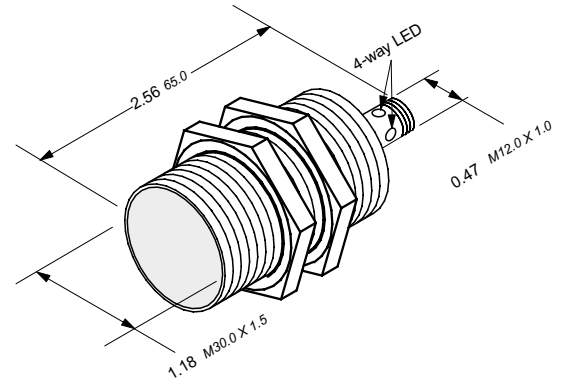


10

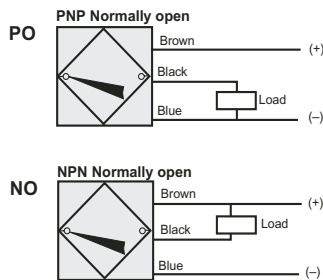
Approximate dimensions



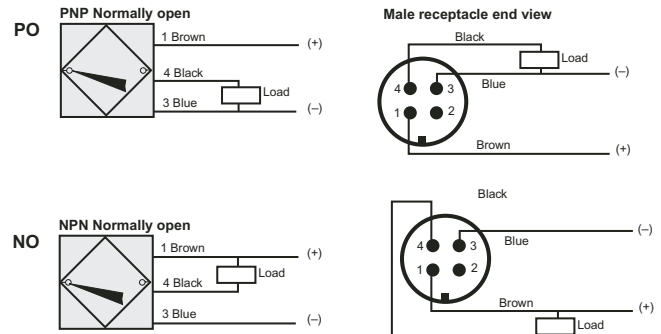
Approximate dimensions



Wiring diagrams



Wiring diagrams





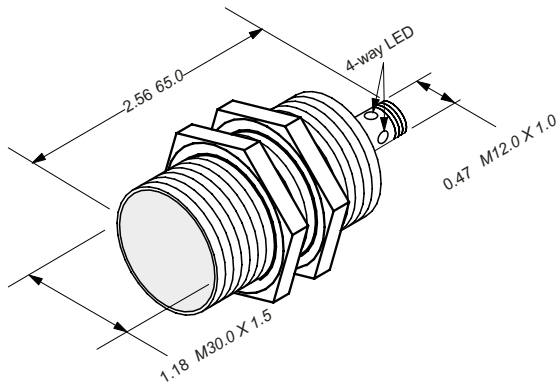
Inductive 3 Wire DC Sensing range: 10mm

Operating distance		10mm
Catalog number		SIF10M30EC1PO
List price		\$ 79.00
Sensor mounting		Shielded
Output		PNP Normally Open
Suffix PO		
Suffix NO		
Operating voltage	VDC	10 – 60
Load current	mA	200
Switching frequency	Hz	650
No load supply current	mA	≤15
Voltage drop	VDC	≤ 2
Short circuit protection		yes
Reverse polarity protection		yes
Output indication		Ring LED yellow
Operating temperature	°F	-14 ... +158
Protection		IP67
IEC		
Approvals		
CE		yes
UL Listed		yes
CSA		yes
Wire size		—
Housing material		Stainless steel
Housing diameter	mm	30
Sensing face		Crastin
Connection		Connector M12

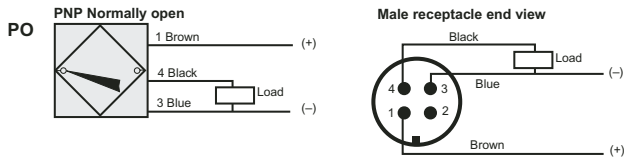


10

Approximate dimensions



Wiring diagrams



Inductive 3 Wire DC Sensing range: 12mm

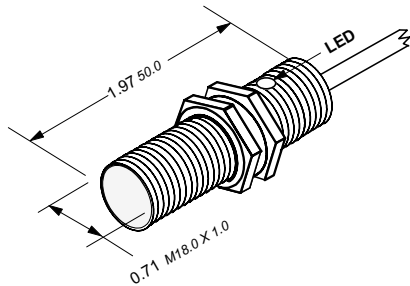
Proximity
Sensors

Operating distance		12mm	12mm
Catalog number		SIN12M18NV2PO	SIN12M18NC1PO
List price		\$ 109.00	\$ 111.00
Sensor mounting		Non-shielded	Non-shielded
Output		PNP Normally Open	PNP Normally Open
Suffix PO			
Suffix NO			
Operating voltage	VDC	10 – 30	10 – 30
Load current	mA	200	200
Switching frequency	Hz	500	500
No load supply current	mA	15	15
Voltage drop	VDC	2	2
Short circuit protection		yes	yes
Reverse polarity protection		yes	yes
Output indication		LED yellow	LED yellow
Operating temperature	°F	-13 ... +158	-13 ... +158
Protection		IP67	IP67
IEC			
Approvals			
CE		yes	yes
UL Listed		yes	yes
CSA		yes	yes
Wire size		20 AWG/0.5mm ²	—
Housing material		Nickel-plated brass	Nickel-plated brass
Housing diameter	mm	18	18
Sensing face		Crastin	Crastin
Connection		2 m, PVC cable	Connector M12

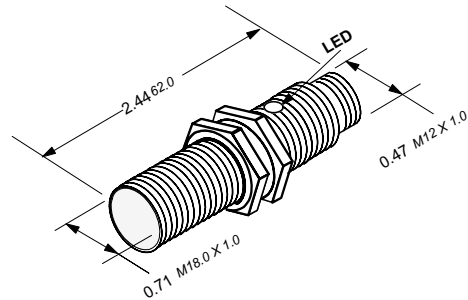


10

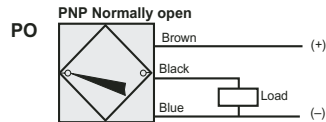
Approximate dimensions



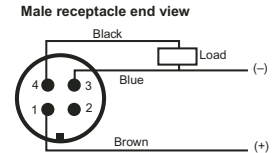
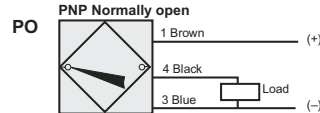
Approximate dimensions



Wiring diagrams



Wiring diagrams





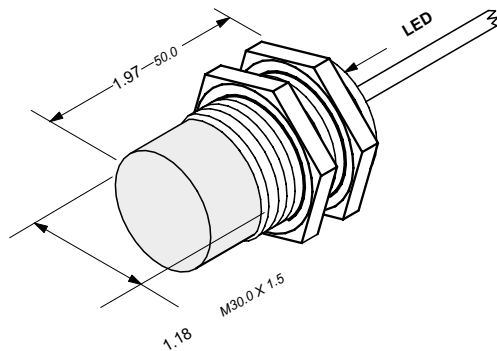
Inductive 3 Wire DC Sensing range: 15mm

Operating distance		15mm	15mm
Catalog number		SIN15M30NV2PO SIN15M30NV2NO	SIN15M30NC1PO SIN15M30NC1NO
List price		\$ 80.00	\$ 84.00
Sensor mounting		Non-shielded	Non-shielded
Output			
Suffix PO		PNP Normally Open	PNP Normally Open
Suffix NO		NPN Normally Open	NPN Normally Open
Operating voltage	VDC	10 – 30	10 – 30
Load current	mA	200	200
Switching frequency	Hz	100	100
No load supply current	mA	15	15
Voltage drop	VDC	2	2
Short circuit protection		yes	yes
Reverse polarity protection		yes	yes
Output indication		LED yellow	Ring LED yellow
Operating temperature	°F	-13 ... +158	-13 ... +158
Protection			
IEC		IP67	IP67
Approvals			
CE		yes	yes
UL Listed		yes	yes
CSA		yes	yes
Wire size		22 AWG/0.34mm ²	—
Housing material		Nickel-plated brass	Nickel-plated brass
Housing diameter	mm	30	30
Sensing face		Crastin	Crastin
Connection		2 m, PVC cable	Connector M12

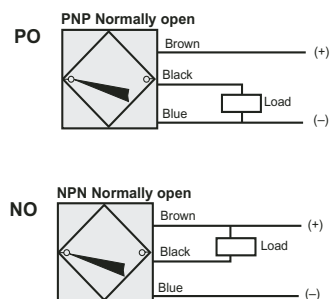


10

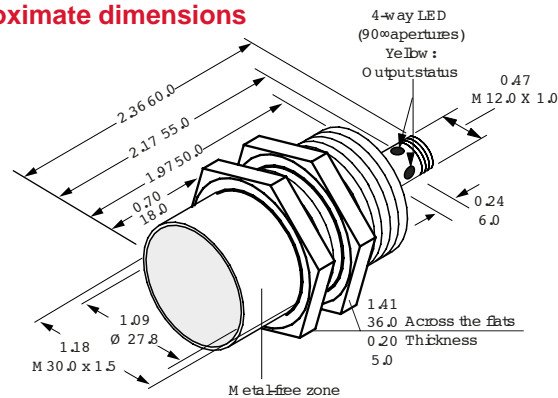
Approximate dimensions



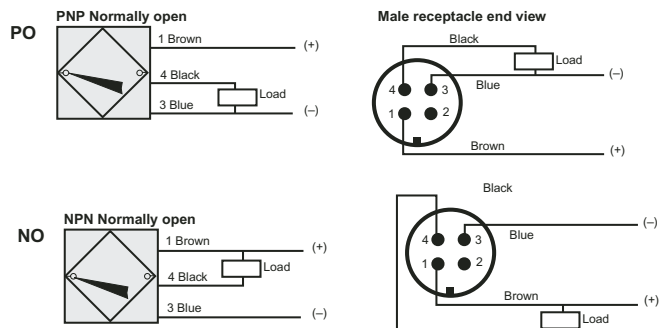
Wiring diagrams



Approximate dimensions



Wiring diagrams



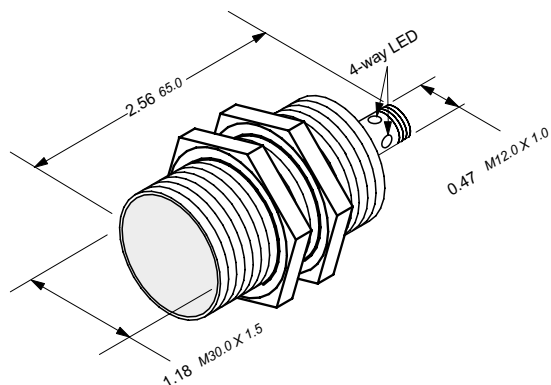
Inductive 3 Wire DC Sensing range: 15mm

Operating distance		10mm
Catalog number		SIN15M30EC1PO
List price		\$ 79.00
Sensor mounting		Non-shielded
Output		PNP Normally Open
Suffix PO		
Suffix NO		
Operating voltage	VDC	10 – 60
Load current	mA	200
Switching frequency	Hz	500
No load supply current	mA	≤15
Voltage drop	VDC	≤2
Short circuit protection		yes
Reverse polarity protection		yes
Output indication		Ring LED yellow
Operating temperature	°F	-14 ... +158
Protection		IP67
IEC		
Approvals		
CE		yes
UL Listed		yes
CSA		yes
Wire size		—
Housing material		Stainless steel
Housing diameter		30
Sensing face		Crastin
Connection		Connector M12

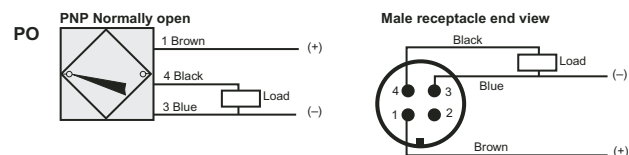


10

Approximate dimensions



Wiring diagrams





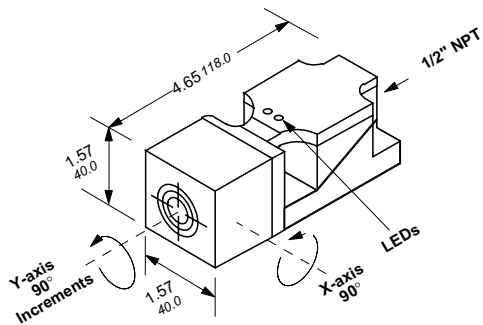
Inductive 3 Wire DC Sensing range: 15mm

Operating distance		15mm	15mm
Catalog number		SIF15Q40UTPO ^① SIF15Q40UTNO ^①	SIF15Q40NC1PO
List price		\$ 107.00	\$ 116.00
Sensor mounting		Shielded	Shielded
Output			
Suffix PO		PNP Normally Open	PNP Normally Open
Suffix NO		NPN Normally Open	NPN Normally Open
Operating voltage	VDC	10 – 60	10 – 60
Load current	mA	200	200
Switching frequency	Hz	300	300
No load supply current	mA	15	15
Voltage drop	VDC	2	2
Short circuit protection		yes	yes
Reverse polarity protection		yes	yes
Output indication		LED yellow/LED green	LED yellow/LED green
Operating temperature	°F	-13 ... +158	-13 ... +158
Protection			
IEC		IP67	IP67
Approvals			
CE		yes	yes
UL Listed		yes	yes
CSA		yes	yes
Wire size		Up to 14 AWG/2.5mm ²	—
Housing material		Crastin/metal base	Crastin/Crastin base
Housing diameter	mm	—	—
Sensing face		Crastin	Crastin
Connection		Terminal	Connector M12

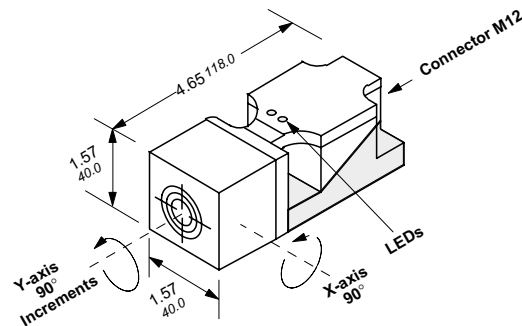


10

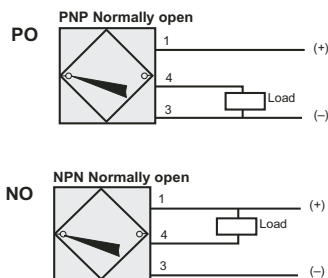
Approximate dimensions



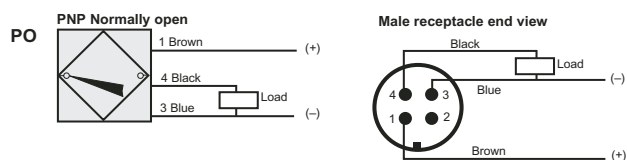
Approximate dimensions



Wiring diagrams



Wiring diagrams



① To order Pg13.5 threaded connection, order part numbers:
SIF15-Q40N-T-PO
SIF15-Q40N-T-NO

Inductive 3 Wire DC Sensing range: 20mm

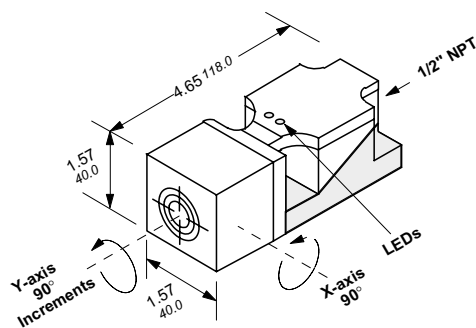
Proximity
Sensors

Operating distance		20mm	20mm
Catalog number		SIF20Q40UTPO [Ⓢ]	SIF20Q40NC1PO
List price		\$ 109.00	\$ 114.00
Sensor mounting		Shielded	Shielded
Output			
Suffix PO		PNP Normally Open	PNP Normally Open
Suffix NO		—	—
Operating voltage	VDC	10 – 60	10 – 60
Load current	mA	200	200
Switching frequency	Hz	300	300
No load supply current	mA	15	15
Voltage drop	VDC	2	2
Short circuit protection		yes	yes
Reverse polarity protection		yes	yes
Output indication		LED yellow/LED green	LED yellow/LED green
Operating temperature	°F	-13 ... +158	-13 ... +158
Protection			
IEC		IP67	IP67
Approvals			
CE		yes	yes
UL Listed		yes	yes
CSA		yes	yes
Wire size		Up to 14 AWG/2.5mm ²	—
Housing material		Crastin/metal base	Crastin/Crastin base
Housing diameter	mm	—	—
Sensing face		Crastin	Crastin
Connection		Terminal	Connector M12

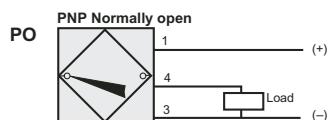


10

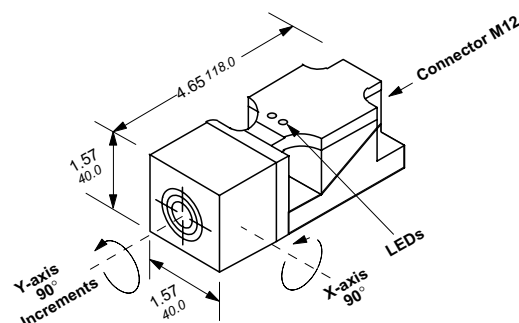
Approximate dimensions



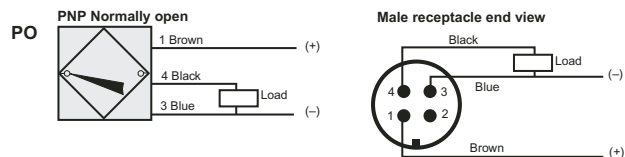
Wiring diagrams



Approximate dimensions



Wiring diagrams



[Ⓢ] To order Pg13.5 threaded connection, order part number:
SIF20-Q40N-T-PO



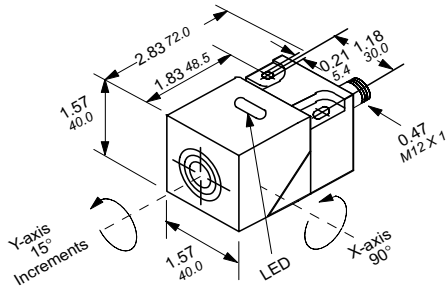
Inductive 3 Wire DC Sensing range: 20mm

Operating distance		20mm	20mm
Catalog number		SIF20Q40TC1PO	SIF20Q40SC1PO
List price		\$ 114.00	\$ 114.00
Sensor mounting		Shielded	Shielded
Output			
Suffix PO		PNP Normally Open	PNP Normally Open
Suffix NO		—	—
Operating voltage	VDC	10 – 30	10 – 30
Load current	mA	200	200
Switching frequency	Hz	300	300
No load supply current	mA	15	15
Voltage drop	VDC	2	2
Short circuit protection		yes	yes
Reverse polarity protection		yes	yes
Output indication		LED yellow	Ring LED yellow
Operating temperature	°F	-13 ... +158	-13 ... +158
Protection IEC		IP67	IP67
Approvals			
CE		yes	yes
UL Listed		yes	yes
CSA		yes	yes
Wire size		—	—
Housing material		Crastin/Crastin base	Crastin/Crastin base
Housing diameter		—	—
Sensing face		Crastin	Crastin
Connection		Connector M12	Connector M12

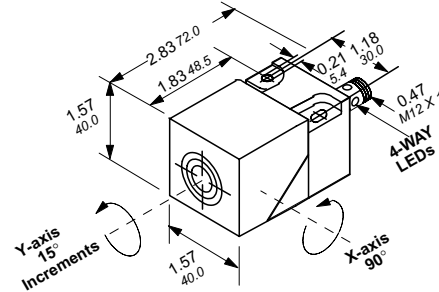


10

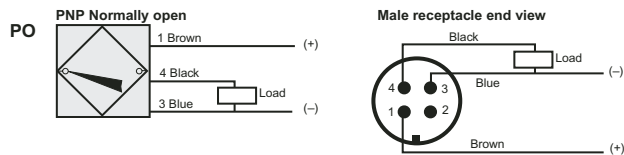
Approximate dimensions



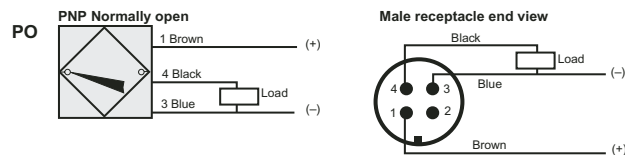
Approximate dimensions



Wiring diagrams



Wiring diagrams



Inductive 3 Wire DC Sensing range: 30mm

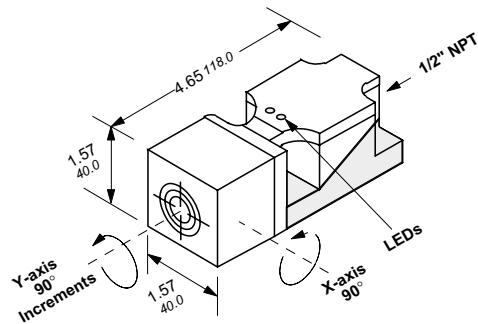
Proximity
Sensors

Operating distance		30mm	30mm
Catalog number		SIN30Q40UTPO ^① SIN30Q40UTNO ^①	SIN30Q40SC1PO
List price		\$ 112.00	\$ 114.00
Sensor mounting		Non-shielded	Non-shielded
Output			
Suffix PO		PNP Normally Open	PNP Normally Open
Suffix NO		NPN Normally Open	—
Operating voltage	VDC	10 – 60	10 – 30
Load current	mA	200	200
Switching frequency	Hz	300	300
No load supply current	mA	15	15
Voltage drop	VDC	2	2
Short circuit protection		yes	yes
Reverse polarity protection		yes	yes
Output indication		LED yellow/LED green	Ring LED yellow
Operating temperature	°F	-13 ... +158	-13 ... +158
Protection			
IEC		IP67	IP67
Approvals			
CE		yes	yes
UL Listed		yes	yes
CSA		yes	yes
Wire size		Up to 14 AWG/2.5mm ²	—
Housing material		Crastin/metal base	Crastin/Crastin base
Housing diameter	mm	—	—
Sensing face		Crastin	Crastin
Connection		Terminal	Connector M12

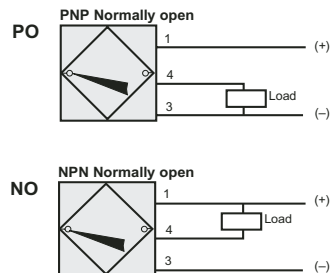


10

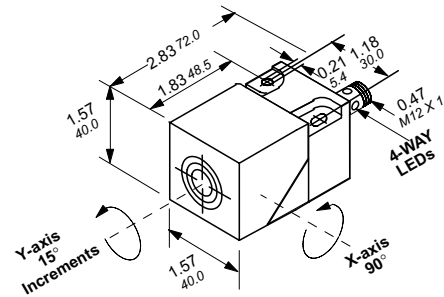
Approximate dimensions



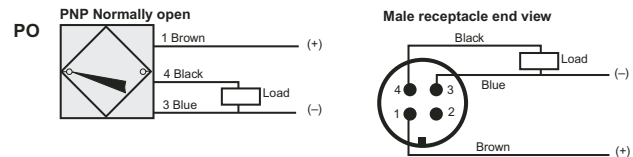
Wiring diagrams



Approximate dimensions



Wiring diagrams



^① To order Pg13.5 threaded connection, order part numbers:
SIN30-Q40N-T-PO
SIN30-Q40N-T-NO



Inductive 3 Wire DC Sensing range: 50mm

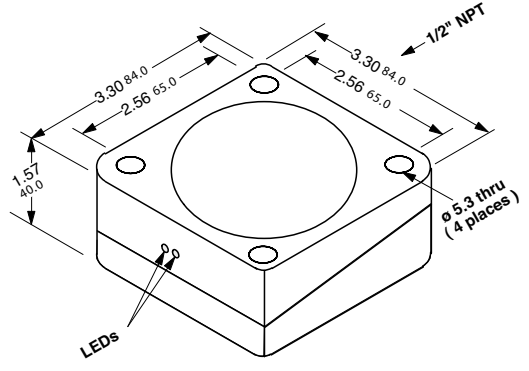
Operating distance		50mm
Catalog number		SIN50Q80UTPO ①
List price		\$ 210.00
Sensor mounting		Non-shielded
Output		PNP Normally Open
Suffix PO		—
Suffix NO		—
Operating voltage	VDC	10 – 60
Load current	mA	200
Switching frequency	Hz	100
No load supply current	mA	15
Voltage drop	VDC	2
Short circuit protection		yes
Reverse polarity protection		yes
Output indication		LED yellow/LED green
Operating temperature	°F	-13 ... +158
Protection		IP67
IEC		IP67
Approvals		
CE		yes
UL Listed		yes
CSA		yes
Wire size		—
Housing material		Crastin/metal base
Housing diameter		—
Sensing face		Crastin
Connection		Terminal



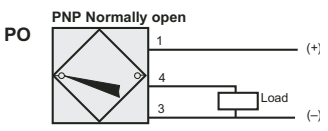
SIN50Q80UTPO

10

Approximate dimensions



Wiring diagrams



① To order Pg13.5 threaded connection, order part number: SIN50-Q80N-T-PO