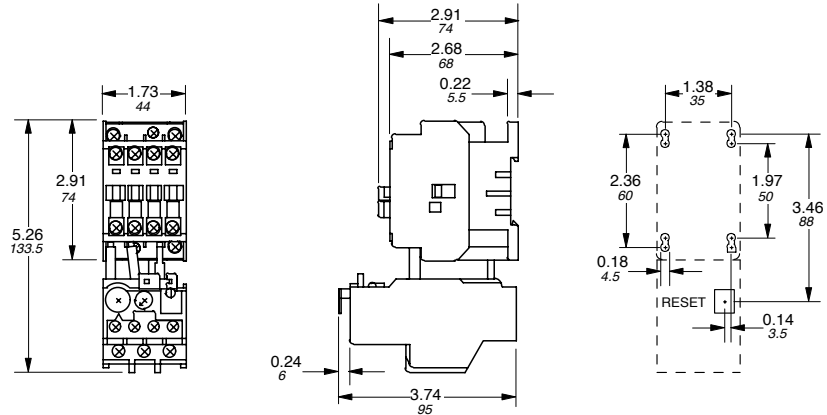


Approximate dimensions
AC/DC operated, 3 pole
A/AE9 – A/AE16

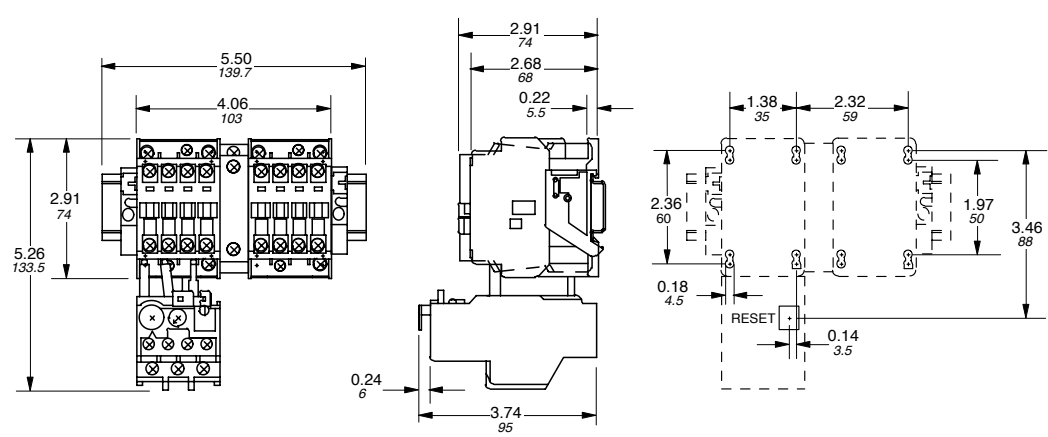
00.00 Inches
00.00 [Millimeters]

3

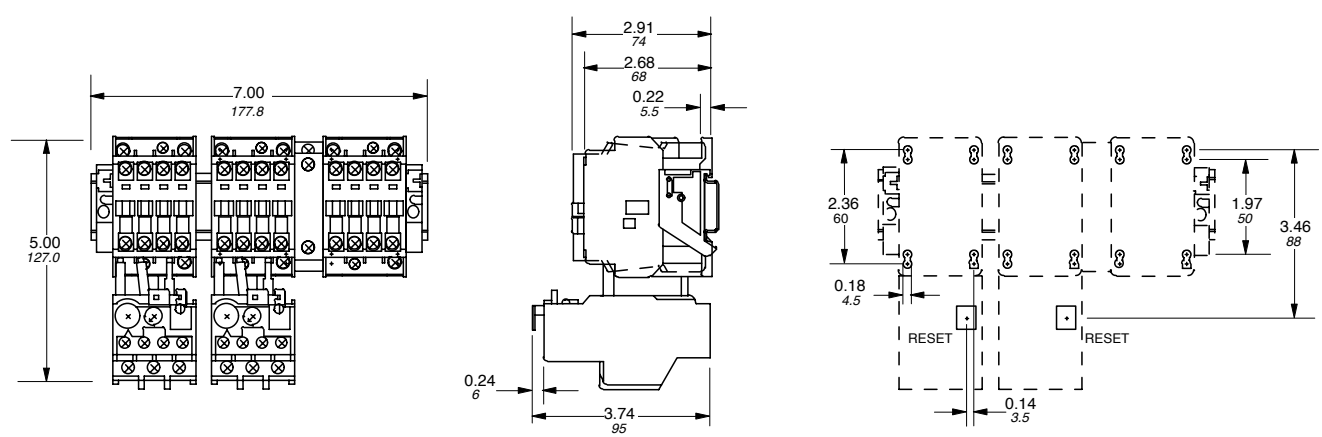
A/AE9 – A/AE16 + TA25 – Starter



A/AE9 – A/AE16 + VM5 or VE5 + TA25 – Reversing starter



A/AE9 – A/AE16 – 2 Speed, 1 winding starter



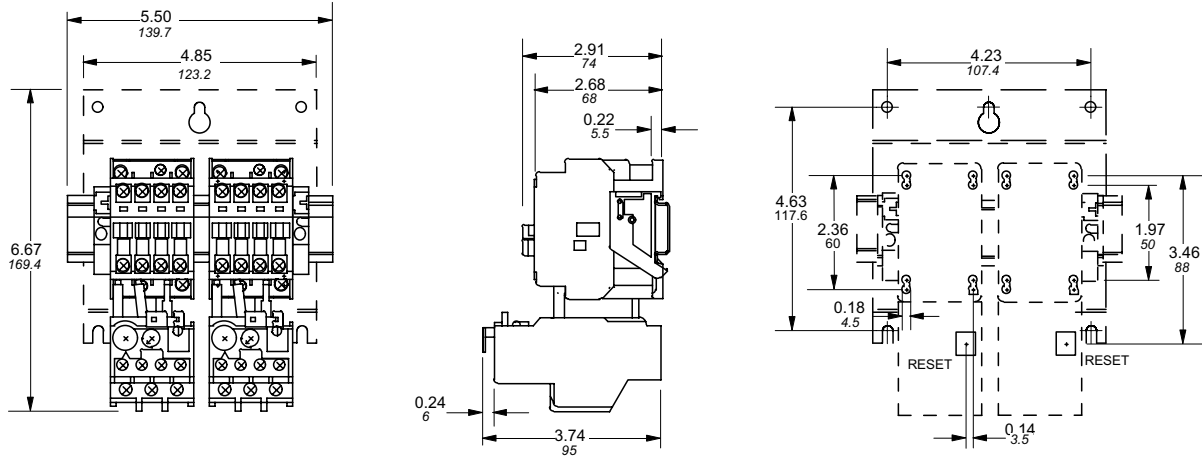
Approximate dimensions

AC/DC operated, 3 pole
A/AE9 – A/AE16, A26

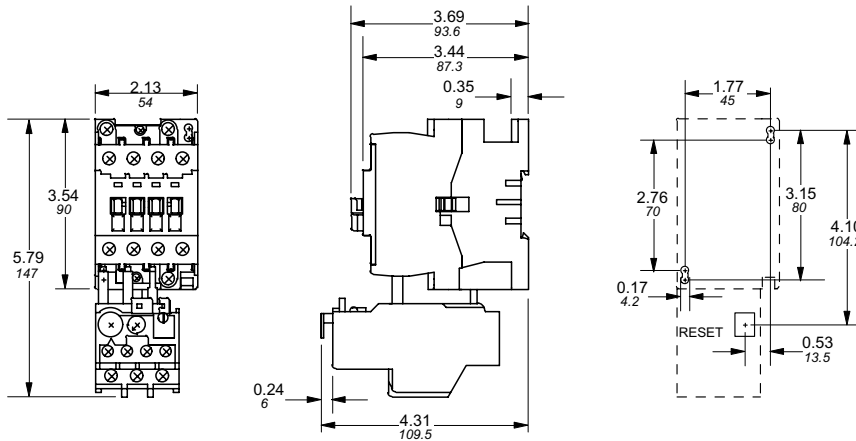
00.00 Inches
00.00 [Millimeters]

A/AE9 – A/AE16 — 2 Speed, 2 winding starter

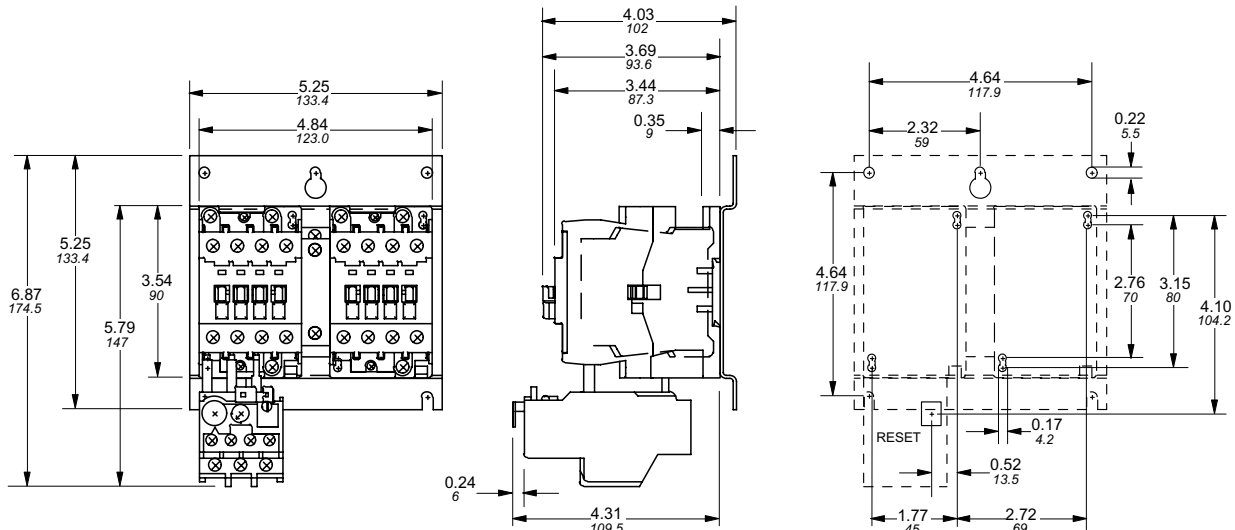
3



A/AE26 + TA25 — Starter



A/AE26 + VM5 or VE5 + TA25 — Reversing starter

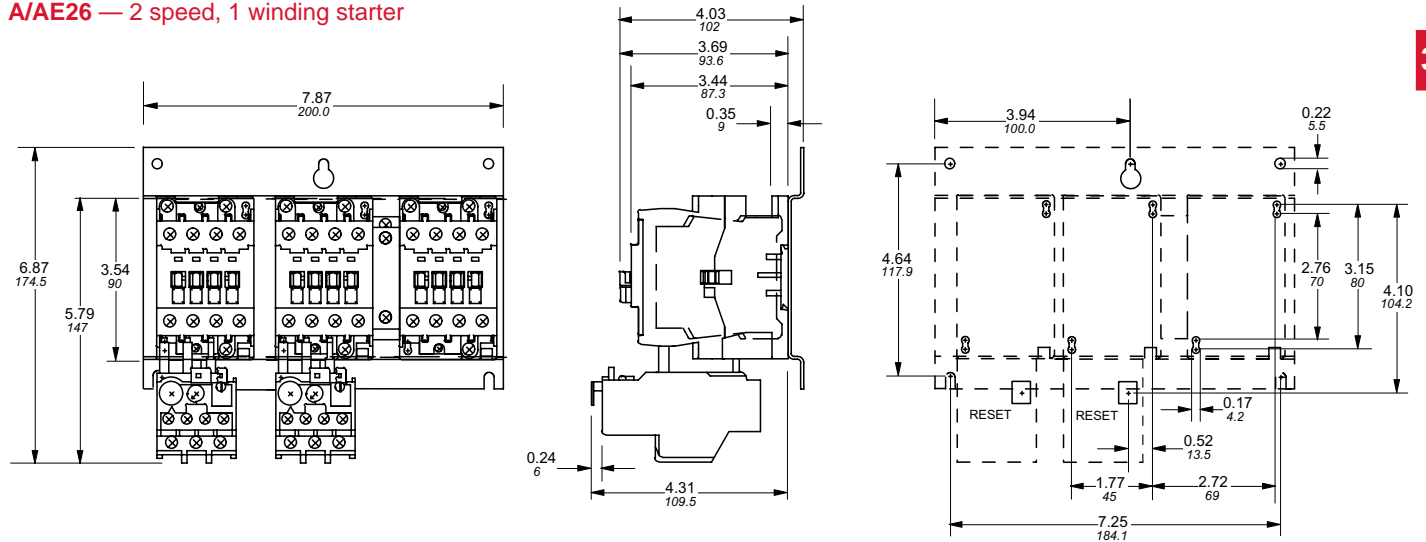


Approximate dimensions
AC/DC operated, 3 pole
A/AE26 to A/AE30 & A/AE40

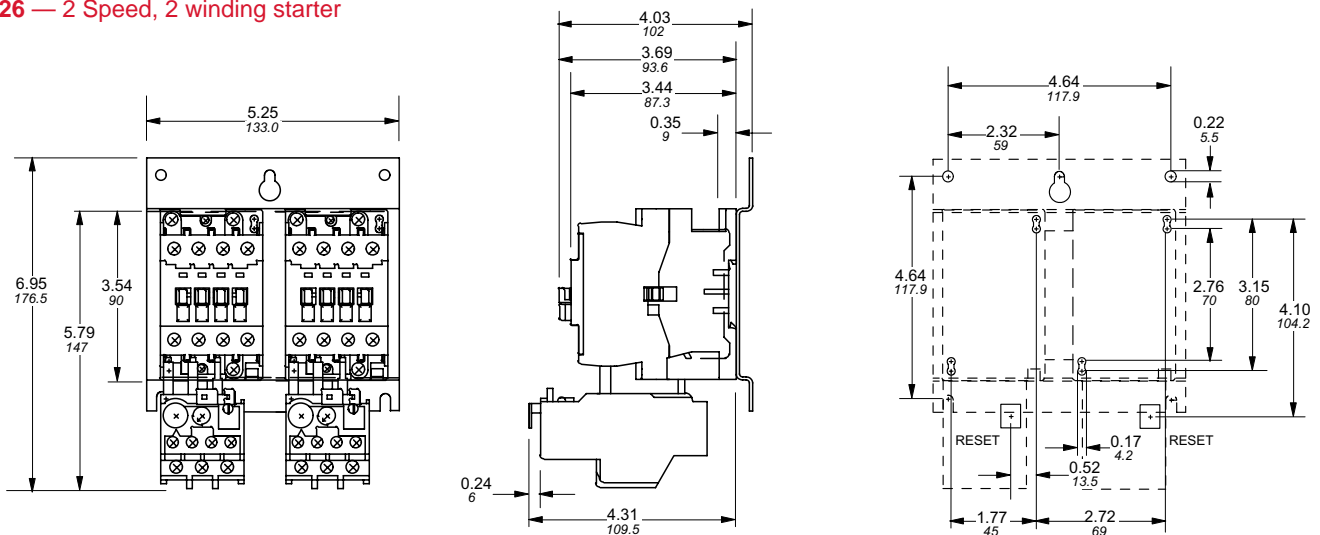
00.00 Inches
00.00 [Millimeters]

3

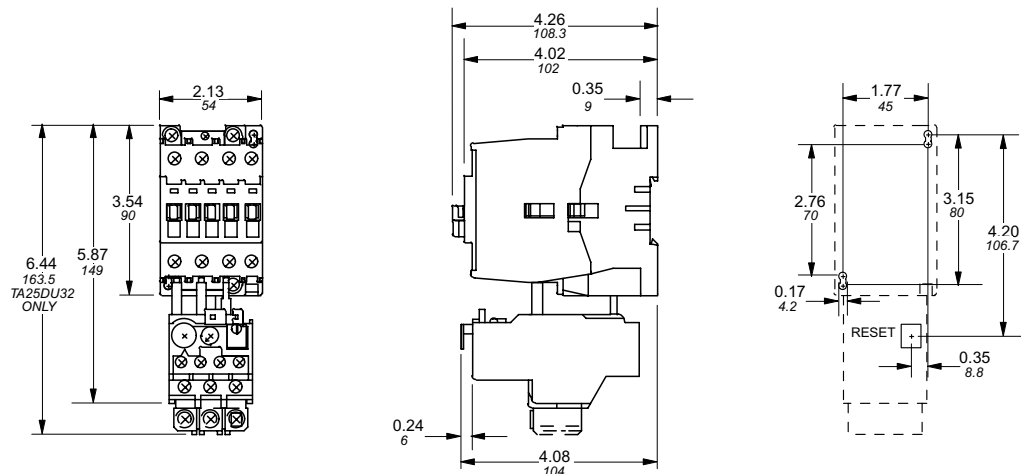
A/AE26 — 2 speed, 1 winding starter



A/AE26 — 2 Speed, 2 winding starter



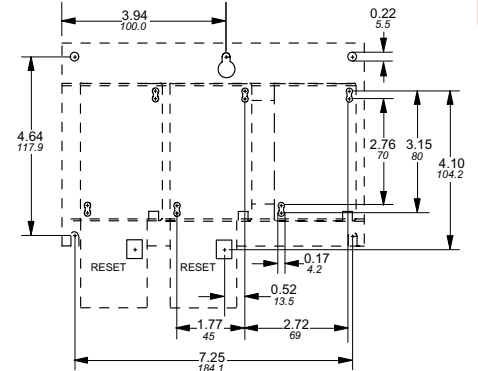
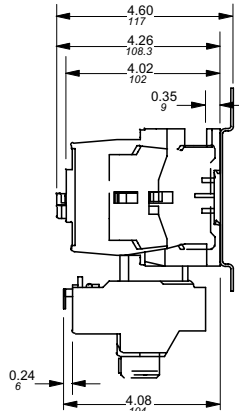
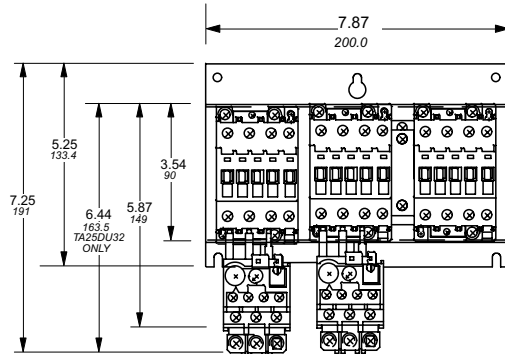
A/AE30 & A/AE40 + TA25 — Starter



Approximate dimensions AC/DC operated, 3 pole A/AE30 – A/AE40 to A/AE50 – A/AE75

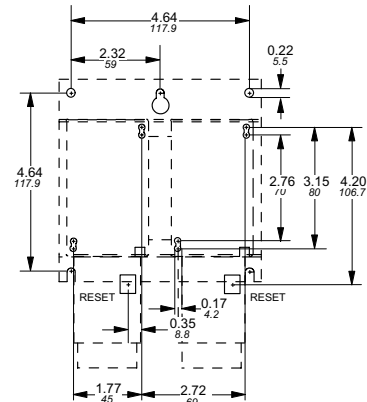
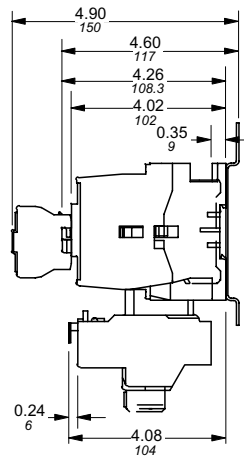
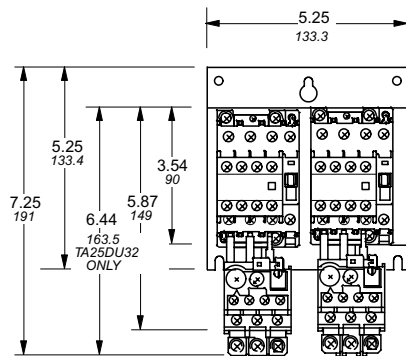
00.00 Inches
00.00 [Millimeters]

A/AE30 & A/AE40 — 2 Speed, 1 winding starter

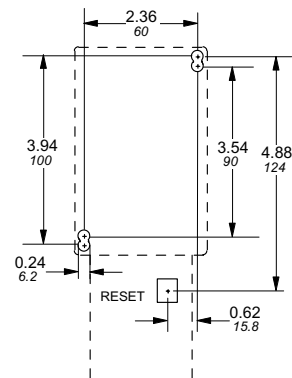
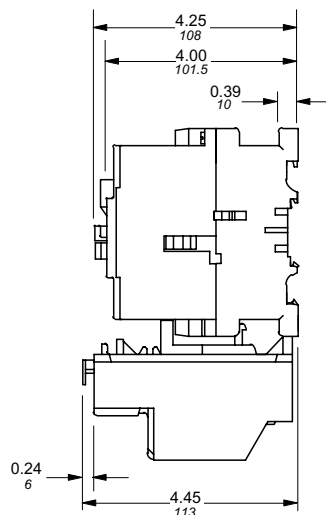
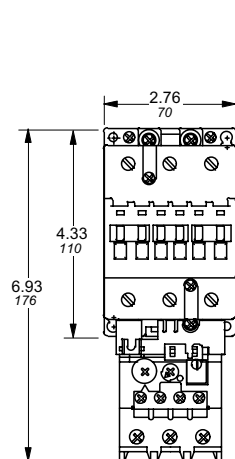


3

A/AE30 & A/AE40 — 2 Speed, 2 winding starter



A/AE50 – A/AE75 + TA75 — Starter

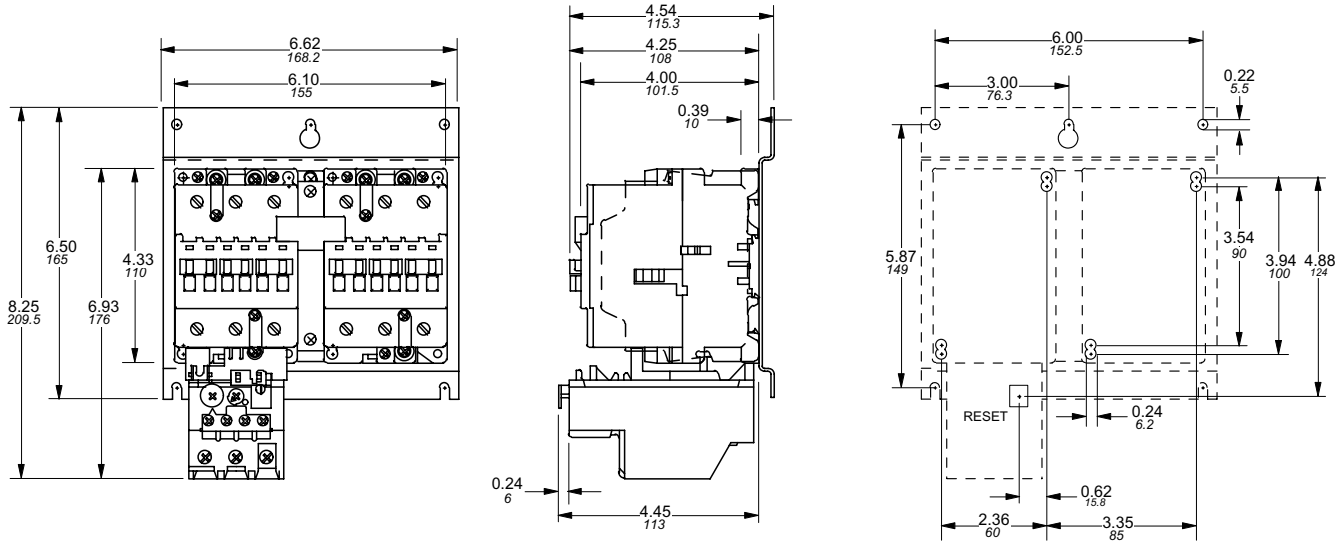


Approximate dimensions AC/DC operated, 3 pole A/AE50 – A/AE75

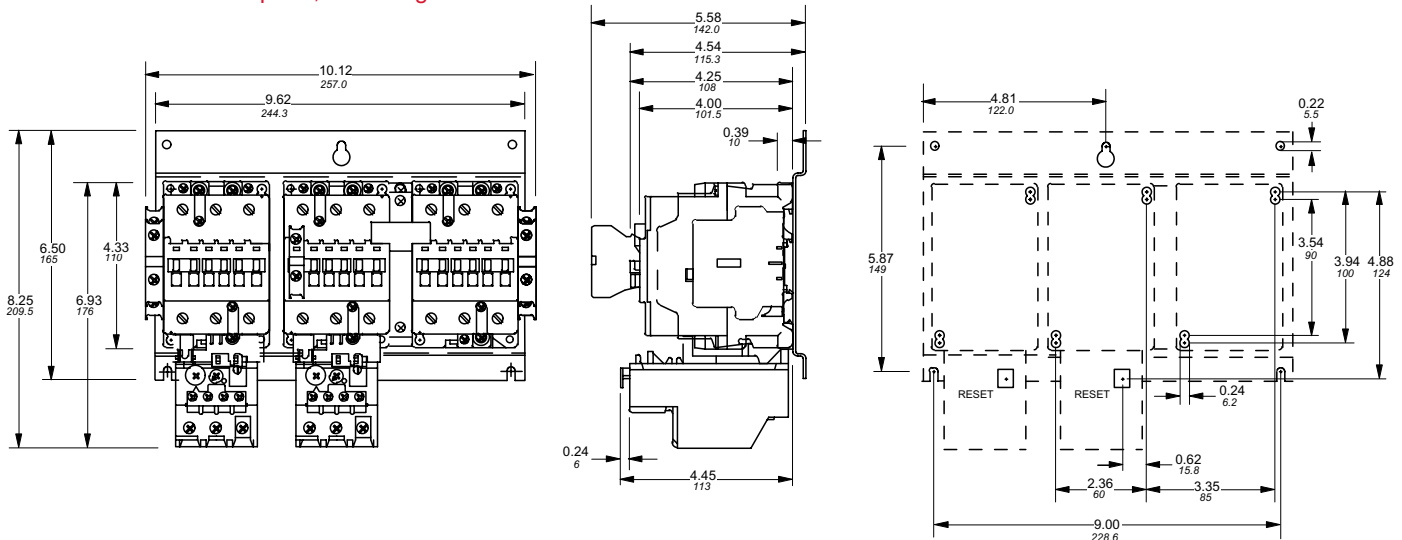
← 00.00 → Inches
00.00 → [Millimeters]

A/AE50 – A/AE75 + VM5 or VE5 + TA75 — Reversing starter

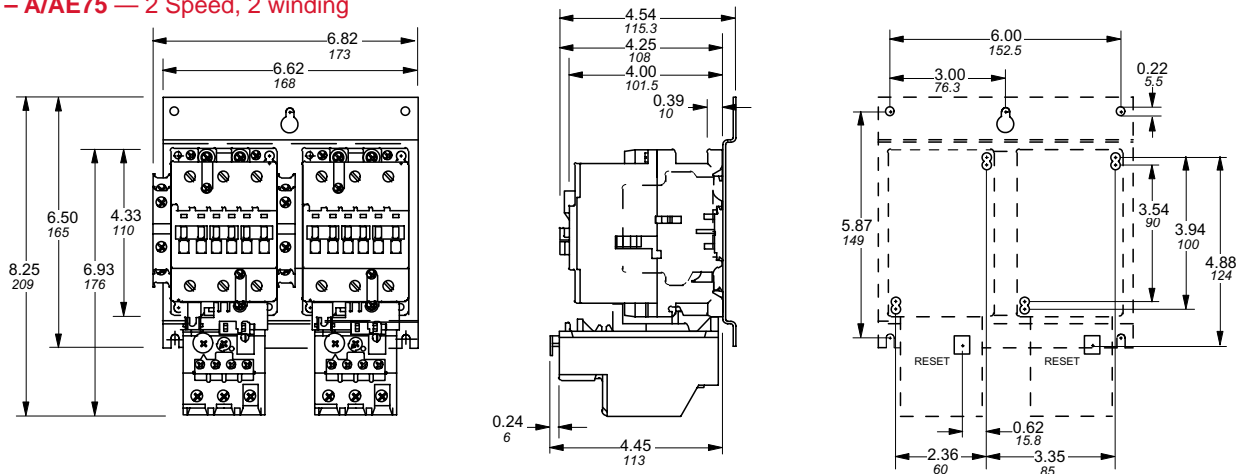
3



A/AE50 – A/AE75 — 2 Speed, 1 winding



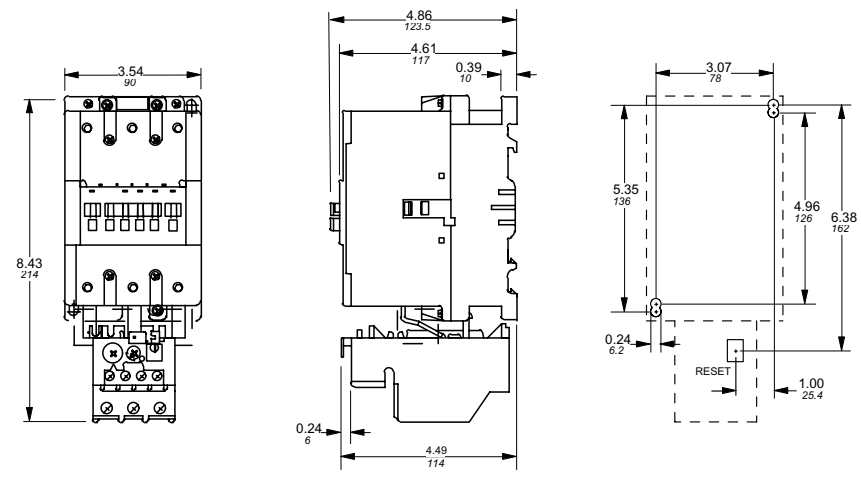
A/AE50 – A/AE75 — 2 Speed, 2 winding



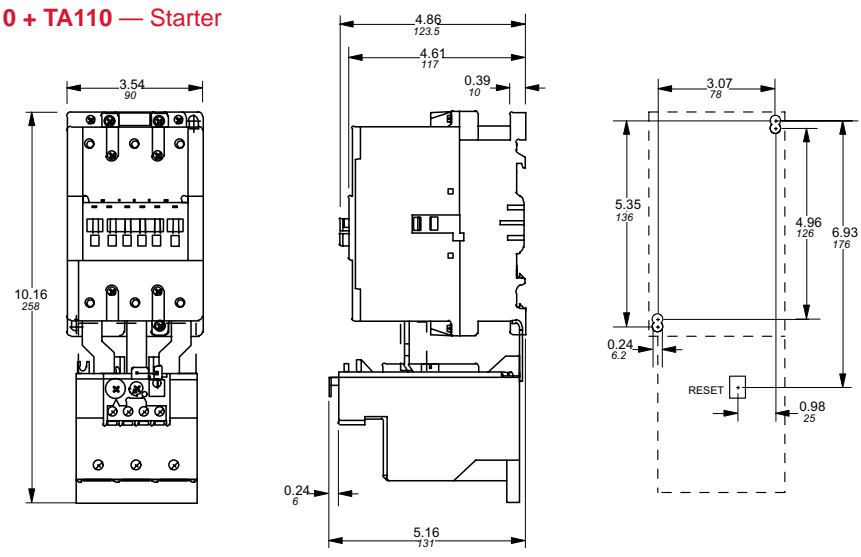
Approximate dimensions
AC/DC operated, 3 pole
A/AE/AF95 & A/AE/AF110

00.00 Inches
00.00 [Millimeters]

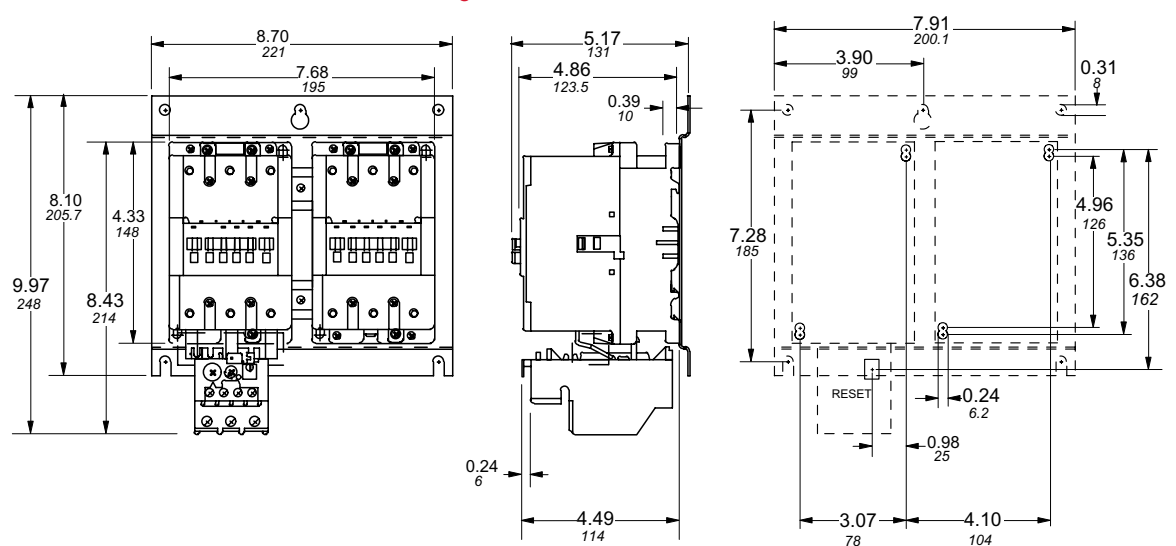
A/AE/AF95 & A/AE/AF110 + TA80 — Starter



A/AE/AF95 & A/AE/AF110 + TA110 — Starter



A/AE/AF95 & A/AE/AF110 + VE5 + TA80 — Reversing starter

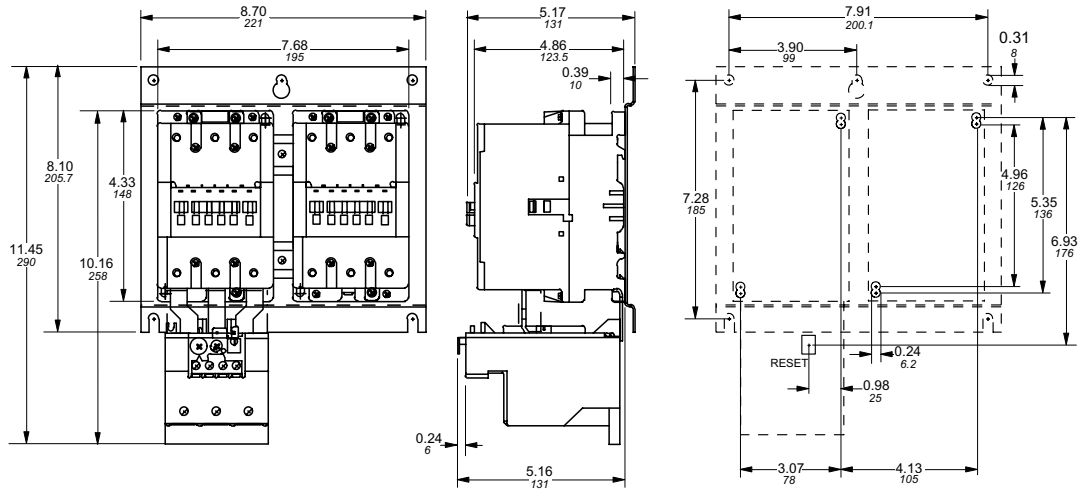


Approximate dimensions
AC/DC operated, 3 pole
A/AE/AF95 & A/AE/AF110

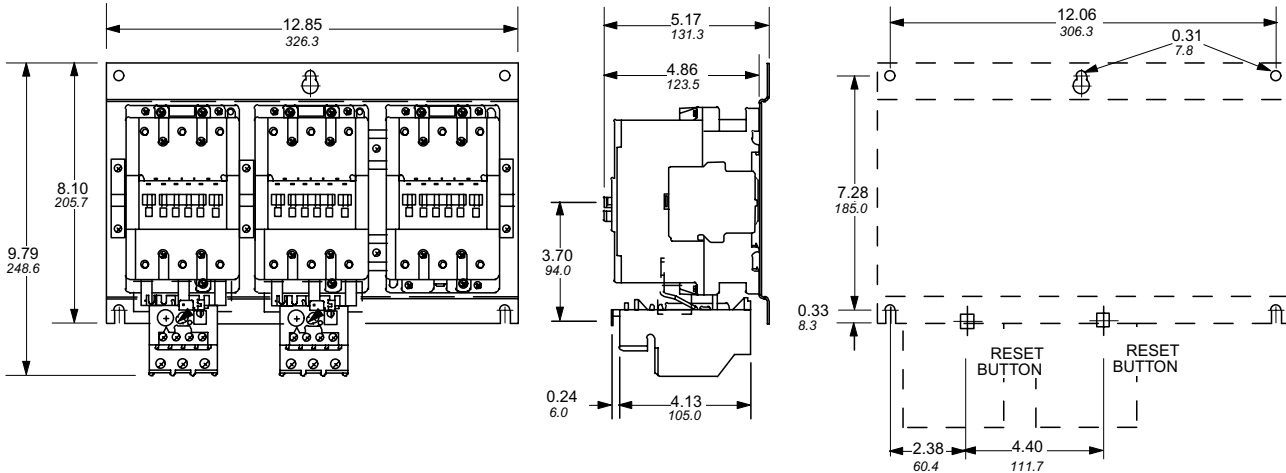
← 00.00 → Inches
00.00 [Millimeters]

A/AE/AF95 & A/AE/AF110 + VE5 + TA110 — Reversing starter

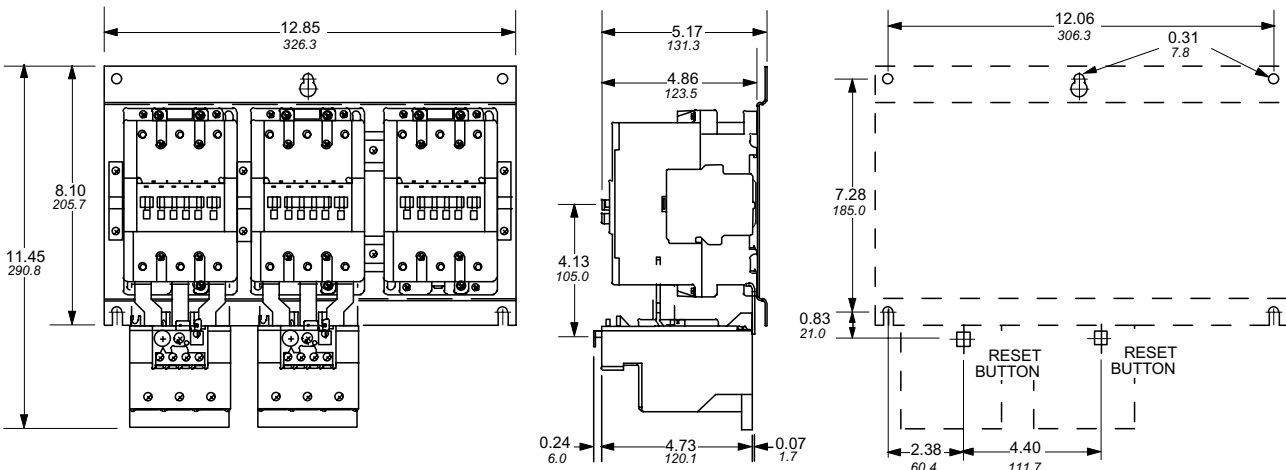
3



A/AE/AF95 & A/AE/AF110 + TA80 — 2 Speed, 1 winding starter



A/AE/AF95 & A/AE/AF110 + TA110 — 2 Speed, 1 winding starter



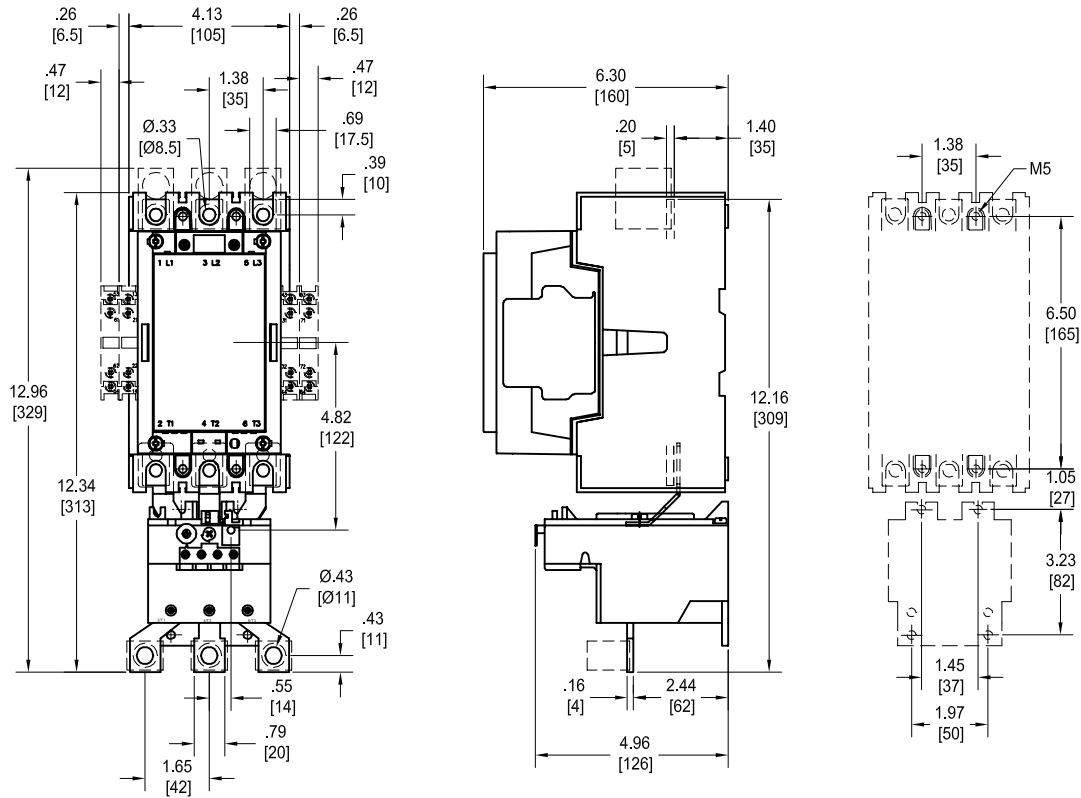
Approximate dimensions

AC/DC operated, 3 pole
A/AF145 & A/AF185

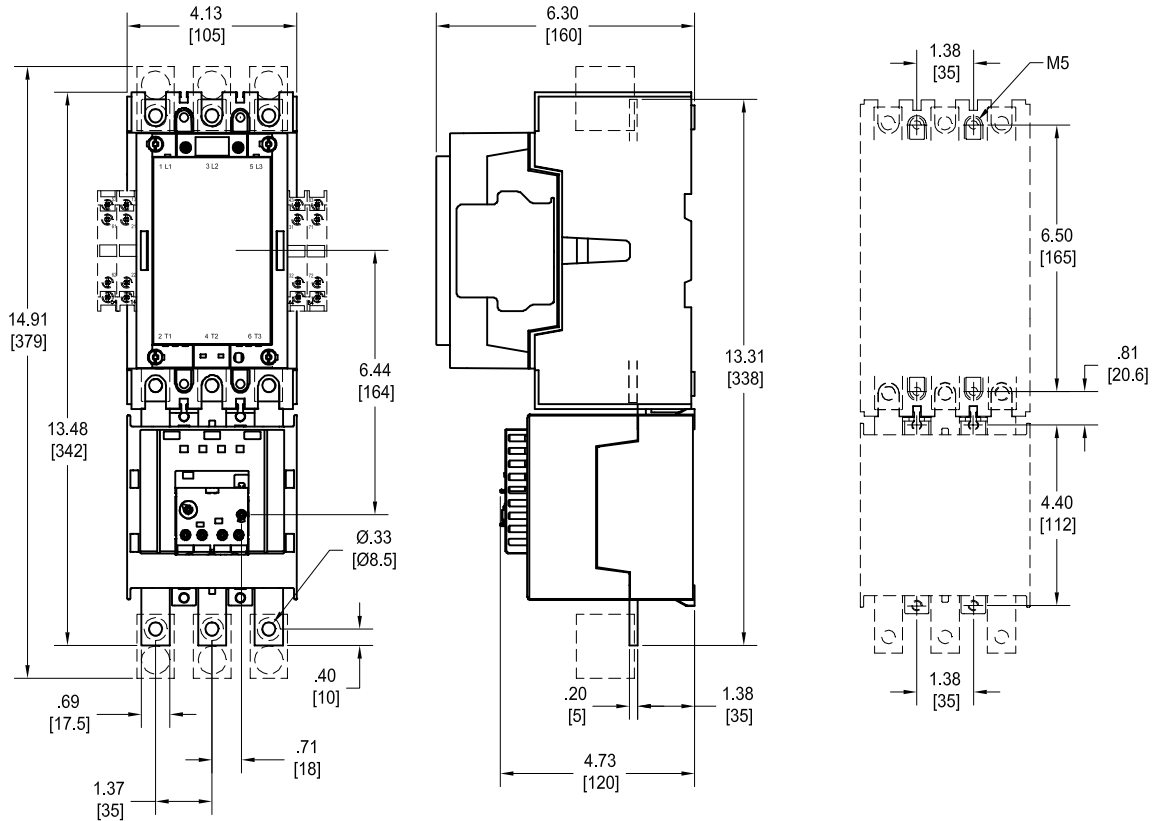
00.00 Inches
00.00 [Millimeters]

A/AF145 – A/AF185 + TA200 — Starter

3



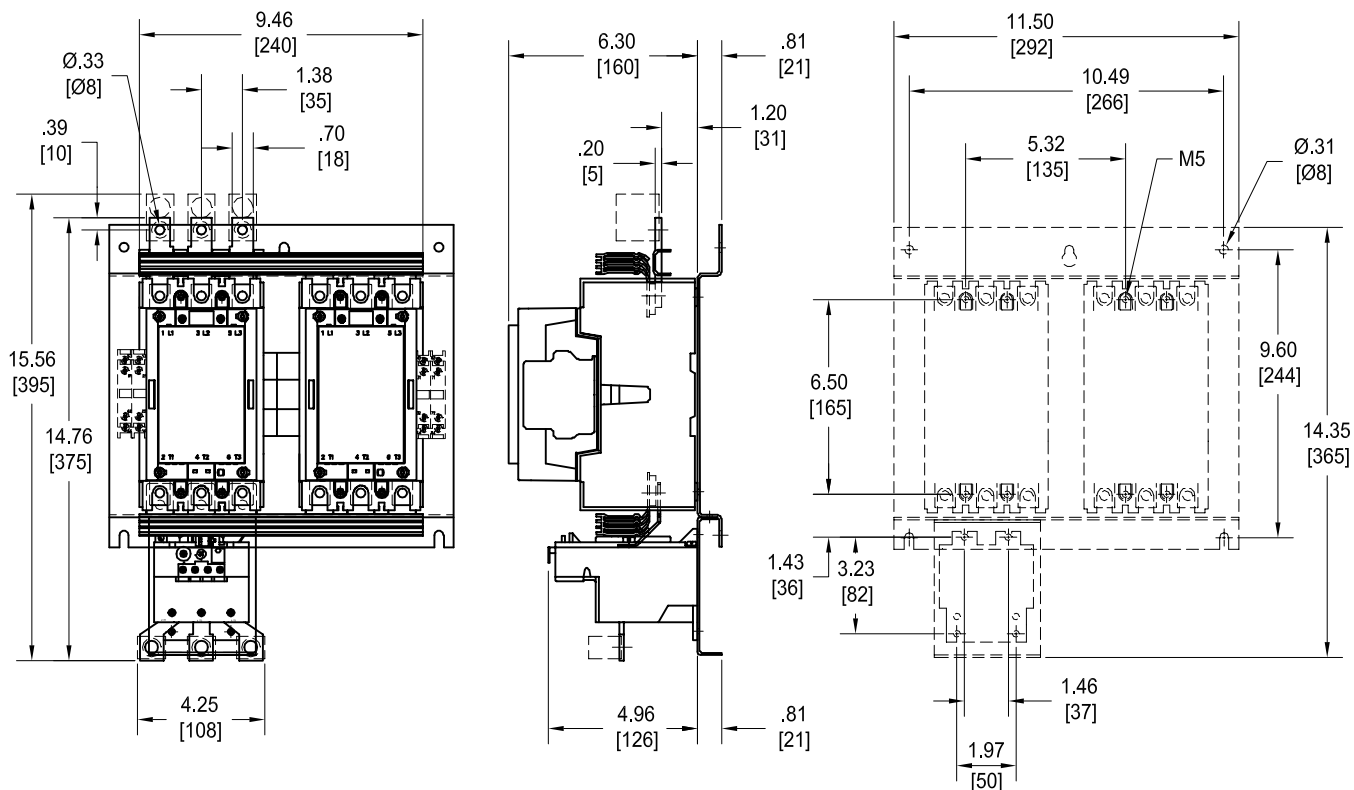
A/AF145 – A/AF185 + E200 — Starter



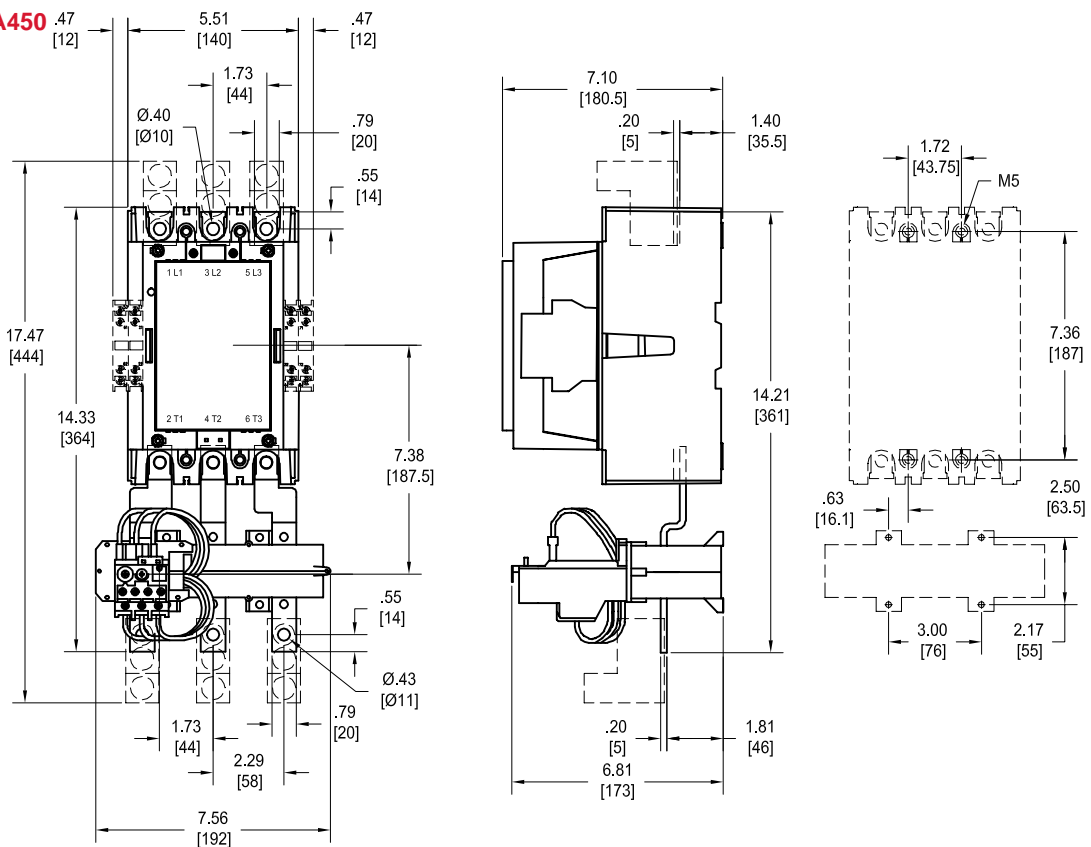
Approximate dimensions
AC/DC operated, 3 pole
A/AF145 & A/AF210

00.00 Inches
00.00 [Millimeters]

A/AF145 – A/AF185 + TA200 – Reversing starter



A210 – A300 + TA450

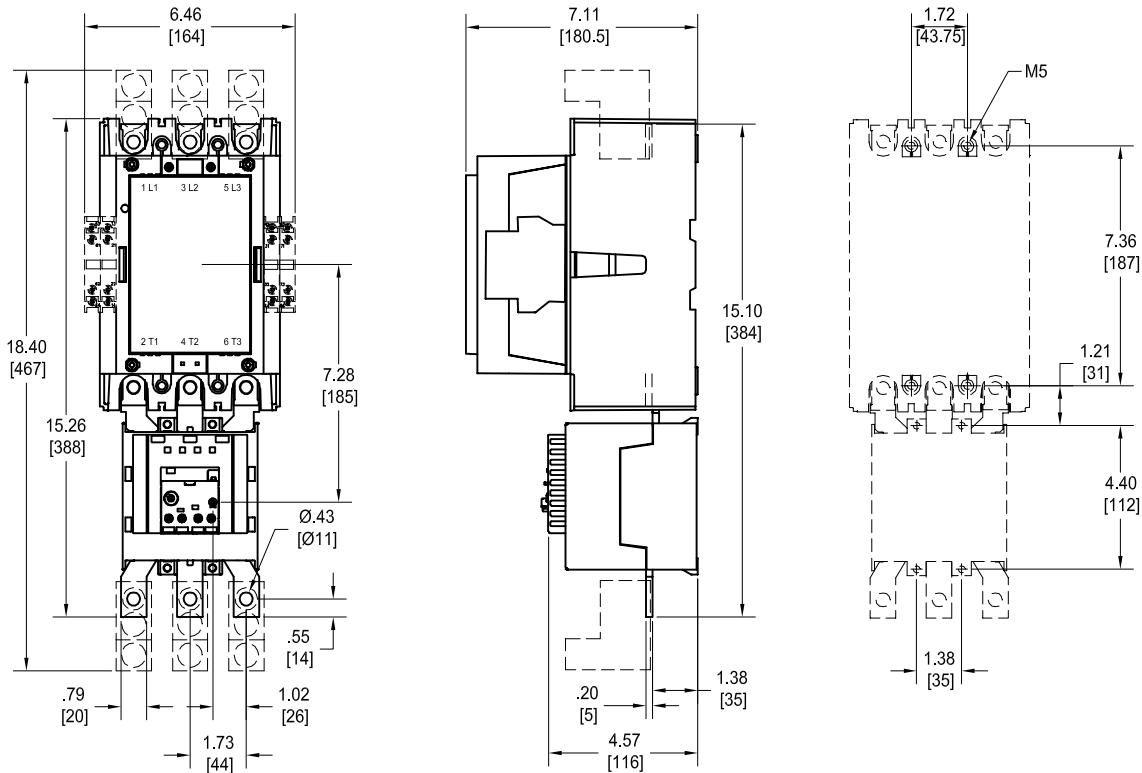


Approximate dimensions AC/DC operated, 3 pole A/AF210

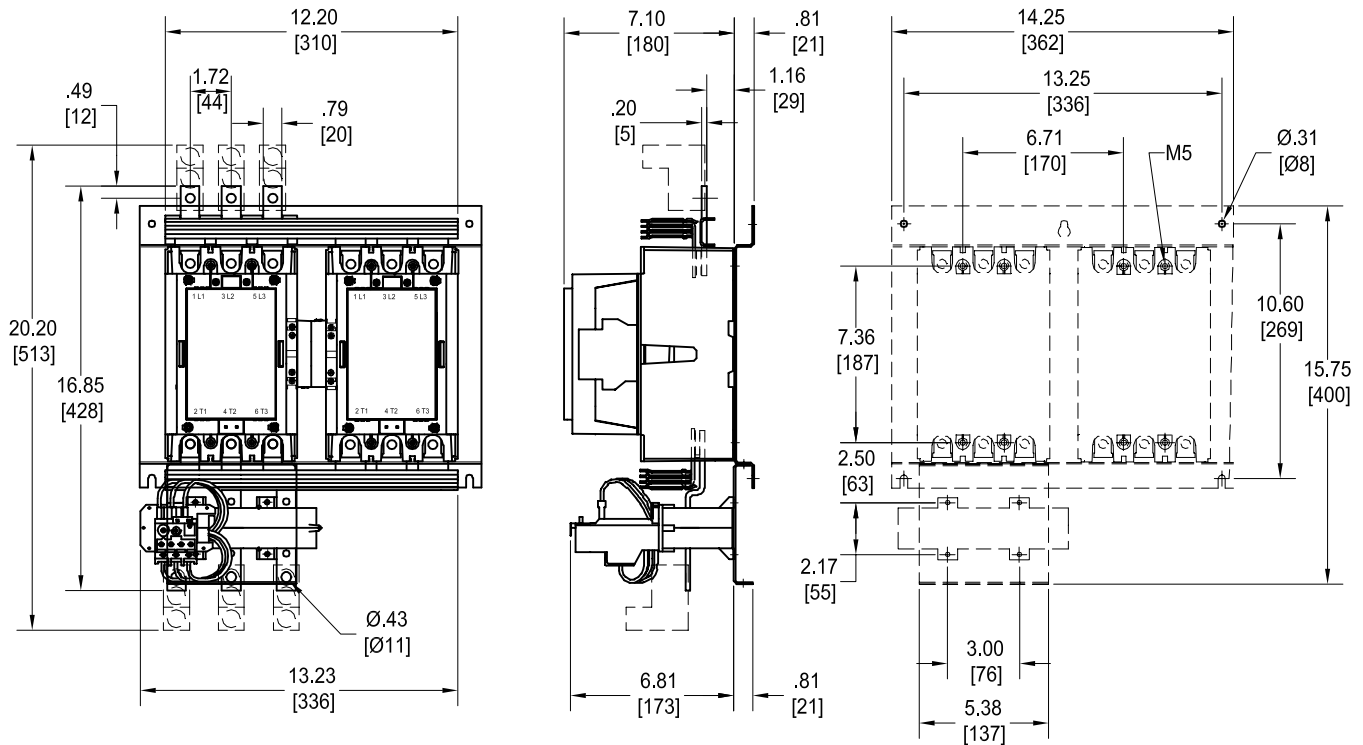
00.00 Inches
00.00 [Millimeters]

A210 – A300 + E320

3



A210 – A300 + TA450 – Reversing starter



Approximate dimensions

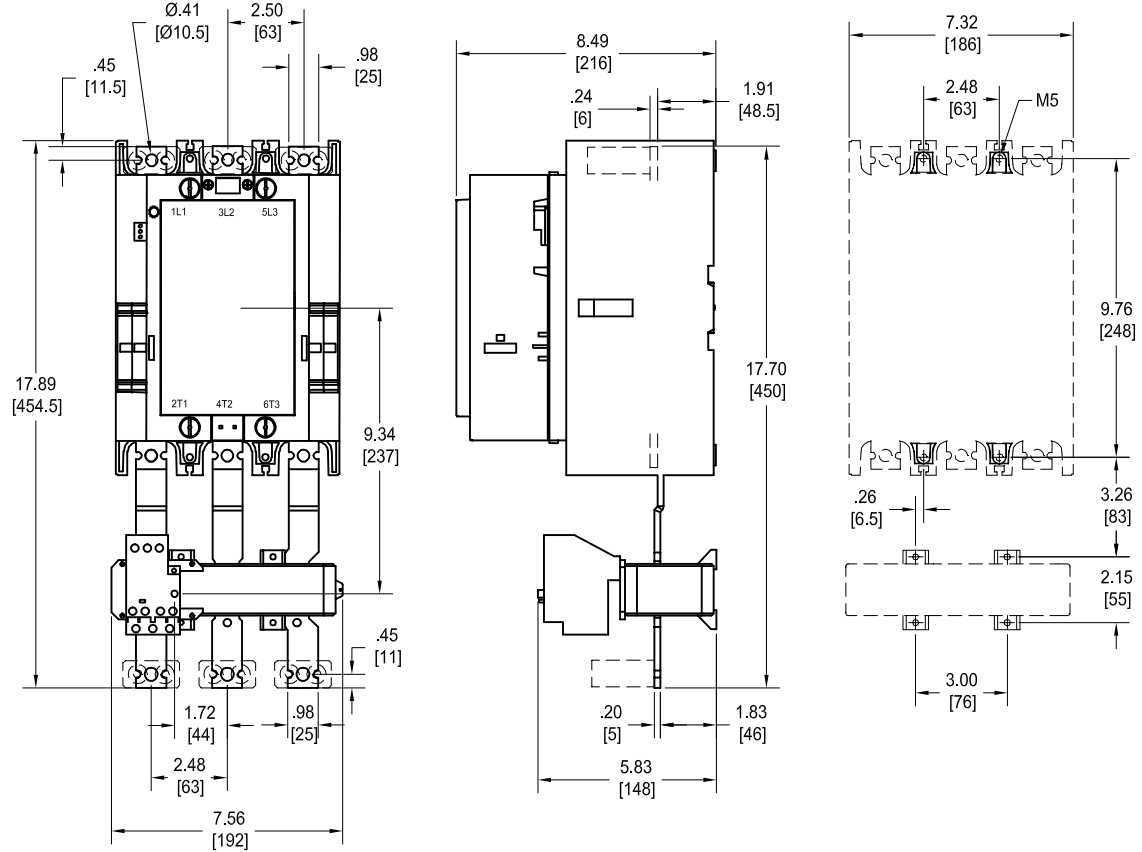
AC/DC operated, 3 pole

A/AF400 & A/AF460

Across the
Line Starters

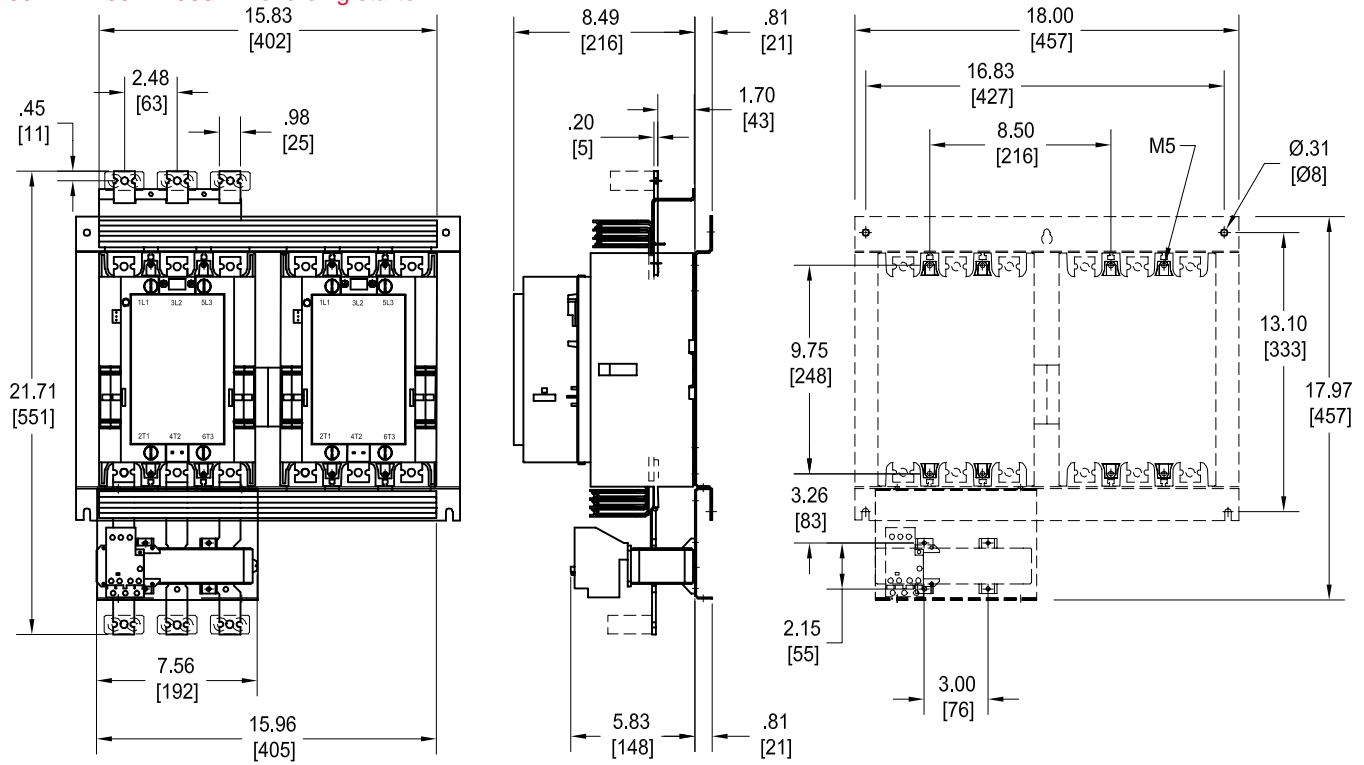
00.00 Inches
00.00 [Millimeters]

AF400 – AF460 + E500 — Starter



3

AF400 – AF460 + E500 – Reversing starter

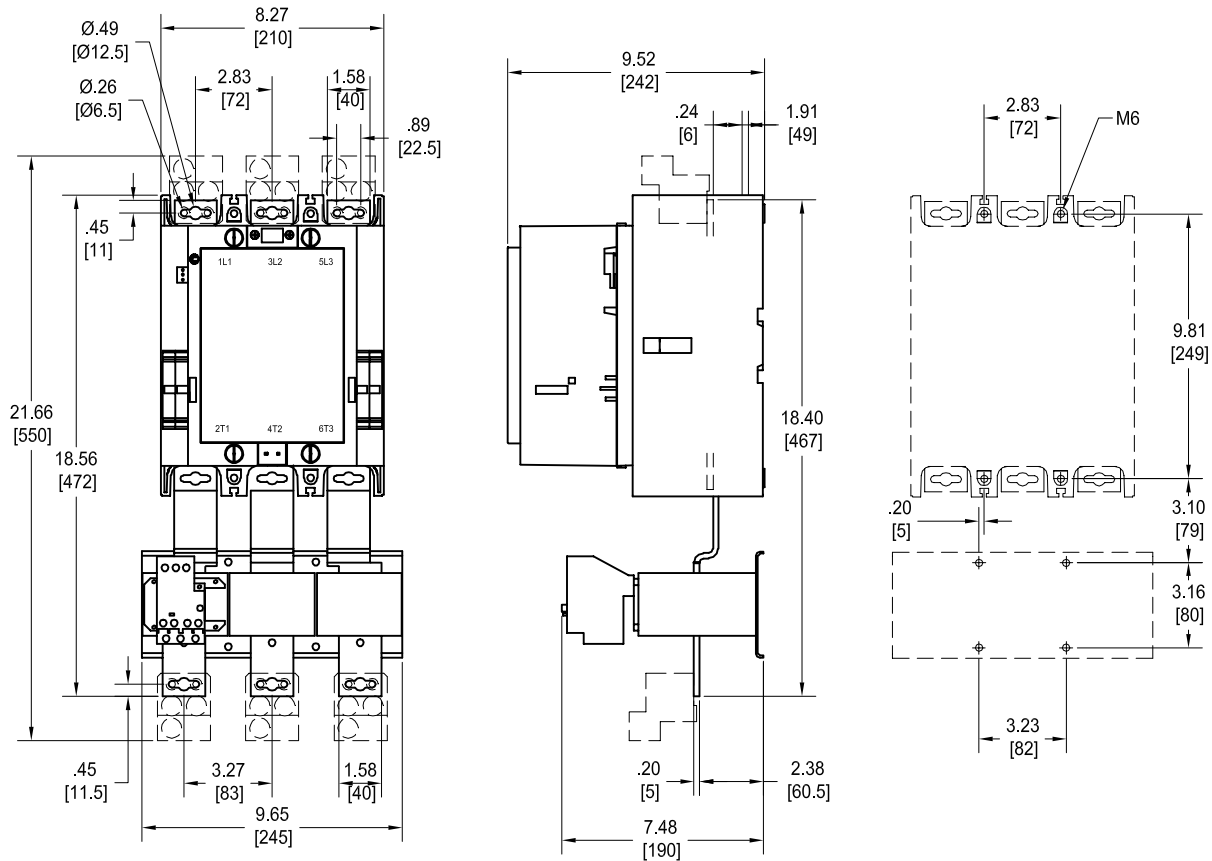


Approximate dimensions AC/DC operated, 3 pole A/AF580 & A/AF750

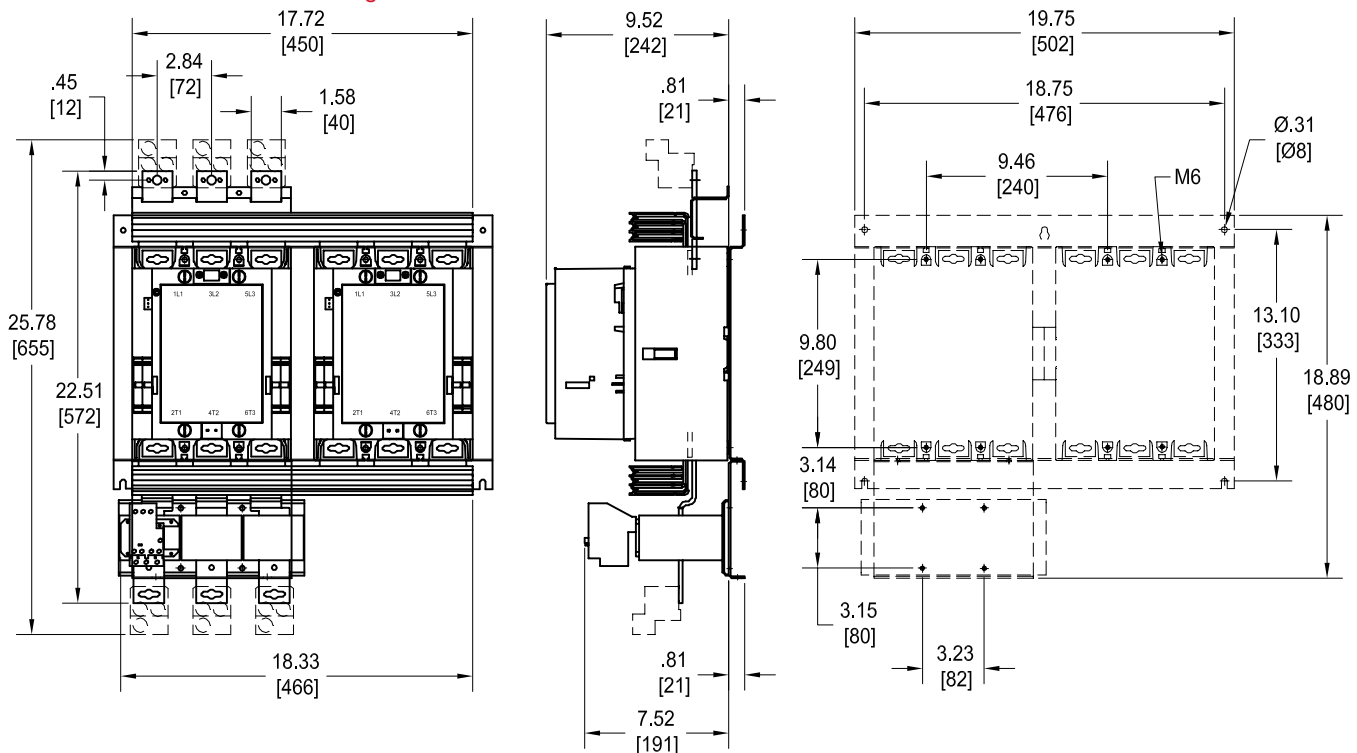
00.00 Inches
00.00 [Millimeters]

AF580 – AF750 + E800 — Starter

3



AF580 – AF750 + E800 – Reversing starter

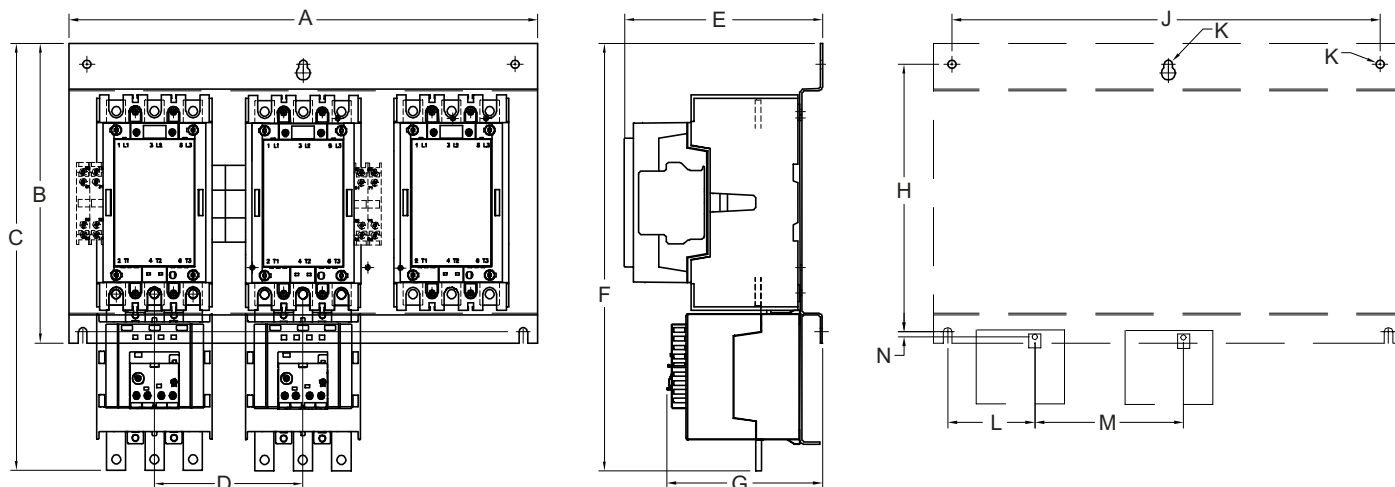


Approximate dimensions
2 speed, 1 winding
A/AE26 – AF750, AC & DC operated, 3 pole

00.00 Inches
00.00 [Millimeters]

A26 – AF750 – 2 Speed, 1 Winding

3



Item	A	B	C	D	E	F	G	H	J	K	L	M	N
A26	7.87 200	5.25 133	6.87 175	2.6 66	4.03 102	5.78 147	4.64 118	4.64 118	7.23 184	0.22 6	1.54 39	2.35 60	0.36 9
A30 - A40	7.87 200	5.25 133	7.25 191	2.43 62	4.6 117	5.85 149	4.42 112	4.64 118	7.23 184	0.22 6	1.56 40	2.33 59	0.36 9
A50 - A75	9.62 244	6.5 165	8.25 210	3.13 80	5.58 142	6.9 175	4.45 113	5.87 149	9 229	0.22 6	1.88 48	3 76	0.2 5
A95-A110+TA80	12.85 326	8.1 206	9.79 249	4.08 104	5.17 131	8.34 212	4.93 125	7.28 185	12.06 306	0.31 8	2.38 60	4.4 112	0.33 8
A95-A110+TA110	12.85 326	8.1 206	11.45 291	4 102	5.17 131	9.4 239	5.4 137	7.28 185	12.06 306	0.31 8	2.38 60	4.4 112	0.83 21
A145-A185+TA200	16.81 427	10.75 273	14.6 371	5.33 135	7.1 180	14.73 374	5.77 147	9.6 244	15.36 390	0.31 8	2.57 65	5.33 135	0.42 11
A145-A185+E200	16.81 427	10.75 273	15.33 371	5.33 135	7.1 180	15.34 389	5.58 142	9.6 244	15.36 390	0.31 8	-	-	-
A210-A300+E320	20.92 531	11.75 298	16.98 431	6.71 170	7.92 201	17.02 432	5.6 142	10.6 269	19.62 498	0.31 8	-	-	-
A400-A460+E500	26.33 669	14.25 362	19.61 498	4.96 126	9.27 235	19.53 496	6.62 168	13.1 333	25.33 643	0.31 8	-	-	-
A580-A750+E800	29.75 756	14.25 362	20.2 513	6.54 166	10.3 269	20.25 514	8.33 212	13.1 333	28.75 730	0.31 8	-	-	-

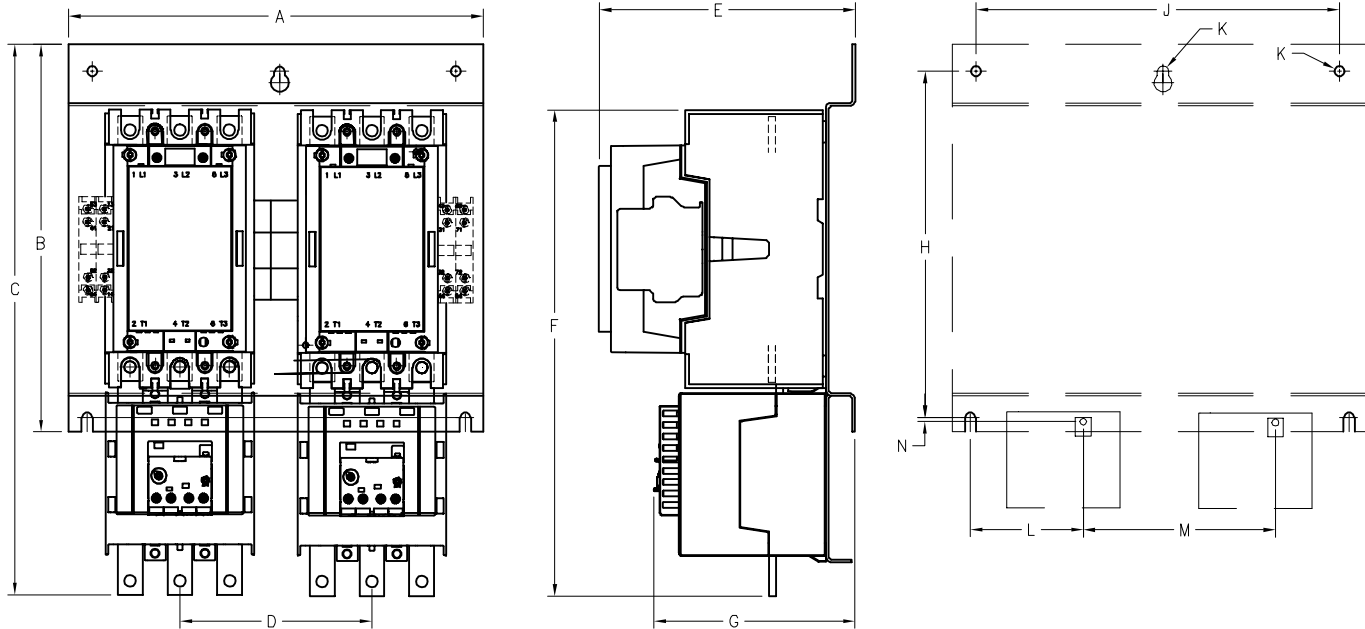
Approximate dimensions

2 speed, 2 winding
A/AE26 – AF750, AC & DC operated, 3 pole

00.00 Inches
00.00 [Millimeters]

A26 – AF750 – 2 Speed, 2 Winding

3

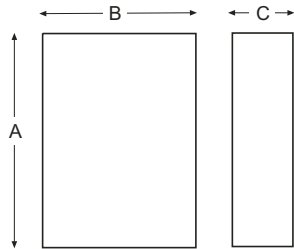


Item	A	B	C	D	E	F	G	H	J	K	L	M	N
A26	5.25 133	5.79 147	6.95 177	2.6 66	4.02 102	5.78 147	4.64 118	4.64 118	4.64 118	0.22 6	1.77 45	2.72 69	0.36 9
A30 - A40	5.25 133	5.25 133	7.25 191	2.43 62	4.9 150	5.85 149	4.42 112	4.64 118	4.64 118	0.22 6	1.77 45	2.72 69	0.36 9
A50 - A75	6.62 168	6.5 165	8.25 210	3.42 87	4.54 115	6.9 175	4.82 122	5.87 149	6 152	0.22 6	2.36 60	335 85	0.2 5
A95-A110	8.7 221	8.1 206	11.45 291	4.14 105	5.17 131	9.39 239	5.42 138	7.28 185	7.91 200	0.31 8	2.36 60	4.4 111	0.83 21
A145-A185+TA200	11.5 292	10.75 273	14.6 371	3.31 84	7.03 179	12.69 322	5.7 145	9.6 244	10.09 256	0.31 8	3.13 80	5.33 135	0.51 13
A145-A185+E200	11.5 292	10.75 273	15.27 388	2.76 70	7.11 181	13.48 342	5.58 142	9.6 244	10.09 256	0.31 8	-	-	-
A210-A300+TA450	11.5 292	10.75 273	14.35 364.5	2.76 70	7.11 180	14.18 360	6.81 173	9.6 244	10.09 256	0.31 8	-	-	-
A210-A300+E320	14.25 362	11.75 298	16.98 431	3.45 88	7.92 201	15.29 388	5.6 142	10.6 269	12.84 326	0.31 8	-	-	-
A400-A460+E500	18 457	14.25 362	19.61 498	2.48 63	9.3 236	16.68 423	6.62 168	11.32 288	16.83 427	0.31 8	-	-	-
A580-A750+E800	19.75 502	14.25 362	20.2 513	3.27 83	10.05 255	17.41 442	8.33 212	13.1 333	18.75 476	0.31 8	-	-	-

Approximate dimensions

Across the line w/CCT
Across the line, reversing w/CCT

00.00 Inches
00.00 [Millimeters]



3

Across the line w/CCT

Starter size	Enclosure type	A	B	C
A9 – A26	1	11	6	5
A9 – A40	3R	10	8	6
	4	10	8	6
	4X Stainless	10	8	6
	4X Plastic	10	8	7
	12	10	8	6
	7 (w/o CCT) ①	11	6	5
A30 – A75	1	13	9	7
A50 – A75	3R	14	12	8
	4	14	12	6
	4X Stainless	14	12	6
	4X Plastic	14	12	7
	12	14	12	8
A9 – A75	7 ①	12	8	6
A95 – A110	1	20	16	8
	3R	20	16	8
	4	20	16	8
	4X Stainless	20	16	8
	4X Plastic	20	16	8
	12	20	16	8
	7 ①	18	12	6
A145 – A185	1	30	24	12
	3R	30	20	8
	4	30	20	8
	4X Stainless	30	24	8
	4X Plastic	30	20	12
	12	30	20	8
	7 ①	30	12	6
A210 – A300	1	30	24	12
	3R	30	20	10
	4	30	20	10
	4X Stainless	30	24	12
	4X Plastic	30	20	12
	12	30	20	8
	7 ①	30	12	6
A400	1	36	30	12
	3R	36	24	12
	4	36	24	12
	4X Stainless	36	24	12
	4X Plastic	30	20	12
	12	30	20	10
	7 ①	30	12	6
A460	1	42	30	13
	3R	42	36	12
	4	42	36	12
	4X Stainless	42	36	12
	4X Plastic	–	–	–
	12	42	36	12
A580	1	36	30	12
	3R	36	24	12
	4	36	24	12
	4X Stainless	36	24	12
	4X Plastic	–	–	–
	12	36	24	12
A750	1	42	30	13
	3R	42	36	12
	4	42	36	12
	4X Stainless	42	36	12
	4X Plastic	–	–	–
	12	42	36	12

Across the line, reversing w/CCT

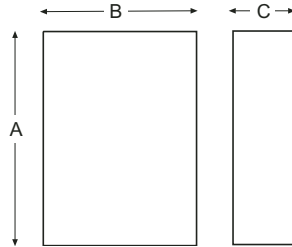
Starter size	Enclosure type	A	B	C
A9 – A40	1	12	10	6
	3R	14	12	8
	4	14	12	6
	4X Stainless	14	12	6
	4X Plastic	14	12	7
	12	14	12	8
A50 – A75	1	14	12	8
	3R	14	12	8
	4	14	12	6
	4X Stainless	14	12	6
	4X Plastic	14	12	7
	12	14	12	8
A95 – A110	1	20	16	8
	3R	20	16	8
	4	20	16	8
	4X Stainless	20	16	8
	4X Plastic	20	16	8
	12	20	16	8
A145 – A185	1	30	24	12
	3R	30	20	8
	4	30	20	8
	4X Stainless	30	24	8
	4X Plastic	30	20	12
	12	30	20	8
A210 – A300	1	30	24	12
	3R	30	20	10
	4	30	20	10
	4X Stainless	30	24	12
	4X Plastic	30	20	12
	12	30	20	10
A400	1	36	30	12
	3R	36	24	12
	4	36	24	12
	4X Stainless	36	24	12
	4X Plastic	–	–	–
	12	36	24	12
A460	1	42	30	13
	3R	42	36	12
	4	42	36	12
	4X Stainless	42	36	12
	4X Plastic	–	–	–
	12	42	36	12
A580	1	36	30	12
	3R	36	24	12
	4	36	24	12
	4X Stainless	36	24	12
	4X Plastic	–	–	–
	12	36	24	12
A750	1	42	30	13
	3R	42	36	12
	4	42	36	12
	4X Stainless	42	36	12
	4X Plastic	–	–	–
	12	42	36	12

① Type 7, explosion-proof inside dimensions.

Approximate dimensions 2-Speed, 1 Winding w/CCT 2-Speed, 2-Winding w/CCT

← 00.00 → Inches
00.00 [Millimeters]

3



2 Speed, 1 winding w/CCT

Starter size	Enclosure type	A	B	C
A9 – A40	1	14	12	8
	3R	14	12	8
	4	14	12	6
	4X Stainless	14	12	6
	4X Plastic	14	12	7
	12	14	12	8
A50 – A75	1	20	16	8
	3R	20	16	8
	4	20	16	8
	4X Stainless	20	16	8
	4X Plastic	20	16	8
	12	20	16	8
A95 – A110	1	20	16	8
	3R	20	16	8
	4	20	16	8
	4X Stainless	20	16	8
	4X Plastic	20	16	8
	12	20	16	8
A145 – A185	1	30	24	12
	3R	30	20	8
	4	30	20	8
	4X Stainless	30	24	8
	4X Plastic	30	20	12
	12	30	20	8
A210 – A300	1	30	24	12
	3R	30	24	12
	4	30	24	12
	4X Stainless	30	24	12
	4X Plastic	30	20	12
	12	30	24	12
A400	1	36	30	12
	3R	36	30	12
	4	36	30	12
	4X Stainless	36	30	12
	4X Plastic	–	–	–
	12	36	30	12
A460	1	42	30	13
	3R	42	36	12
	4	42	36	12
	4X Stainless	42	36	12
	4X Plastic	–	–	–
	12	42	36	12
A580 – A750	1	42	36	13
	3R	42	36	12
	4	42	36	12
	4X Stainless	42	36	12
	4X Plastic	–	–	–
	12	42	36	12

2 Speed, 2 winding w/CCT

Starter size	Enclosure type	A	B	C
A9 – A40	1	12	10	6
	3R	14	12	8
	4	14	12	6
	4X Stainless	14	12	6
	4X Plastic	14	12	7
	12	14	12	8
A50 – A75	1	14	12	8
	3R	14	12	8
	4	14	12	6
	4X Stainless	14	12	6
	4X Plastic	14	12	7
	12	14	12	8
A95 – A110	1	20	16	8
	3R	20	16	8
	4	20	16	8
	4X Stainless	20	16	8
	4X Plastic	20	16	8
	12	20	16	8
A145 – A185	1	30	24	12
	3R	30	20	8
	4	30	20	8
	4X Stainless	30	24	8
	4X Plastic	30	20	12
	12	30	20	8
A210 – A300	1	30	24	12
	3R	30	20	10
	4	30	20	10
	4X Stainless	30	24	12
	4X Plastic	30	20	12
	12	30	20	10
A400	1	36	30	12
	3R	36	24	12
	4	36	24	12
	4X Stainless	36	24	12
	4X Plastic	–	–	–
	12	36	24	12
A460	1	42	30	13
	3R	42	36	12
	4	42	36	12
	4X Stainless	42	36	12
	4X Plastic	–	–	–
	12	42	36	12
A580	1	36	30	12
	3R	36	24	12
	4	36	24	12
	4X Stainless	36	24	12
	4X Plastic	–	–	–
	12	36	24	12
A750	1	42	30	13
	3R	42	36	12
	4	42	36	12
	4X Stainless	42	36	12
	4X Plastic	–	–	–
	12	42	36	12

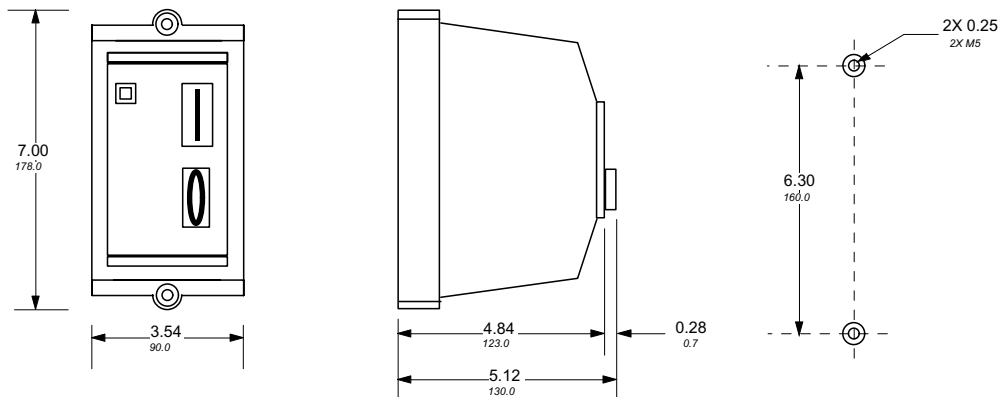
① Type 7, explosion-proof inside dimensions.

Approximate dimensions Plastic enclosed, IP65

Across the
Line Starters

00.00 Inches
00.00 [Millimeters]

Plastic enclosed, IP65



3

Circuit diagrams

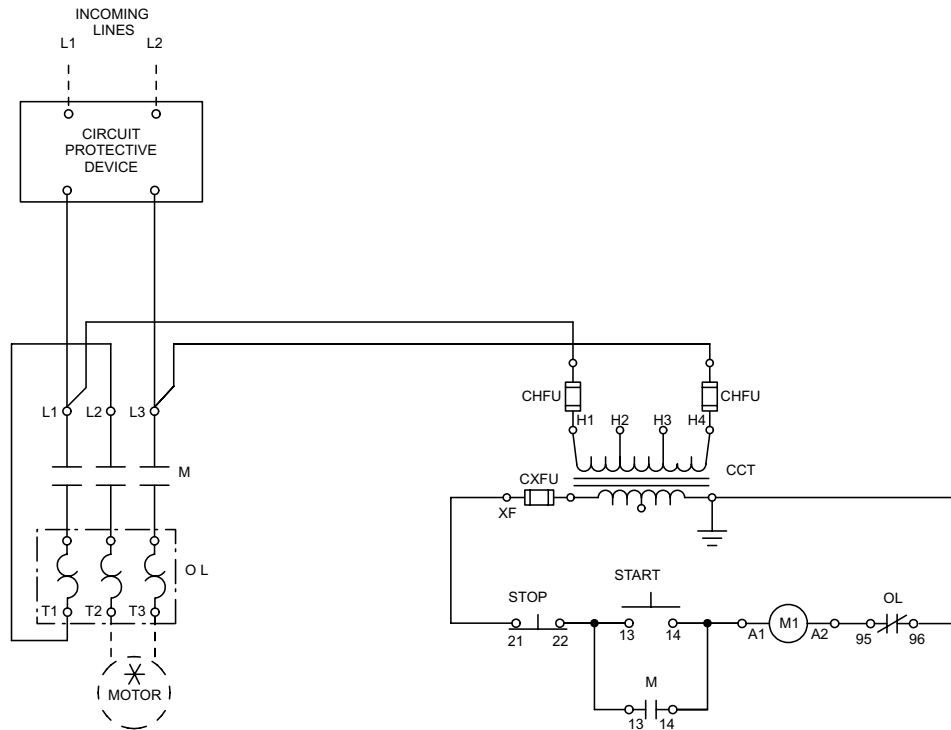
Non-reversing single phase

A9 – A185

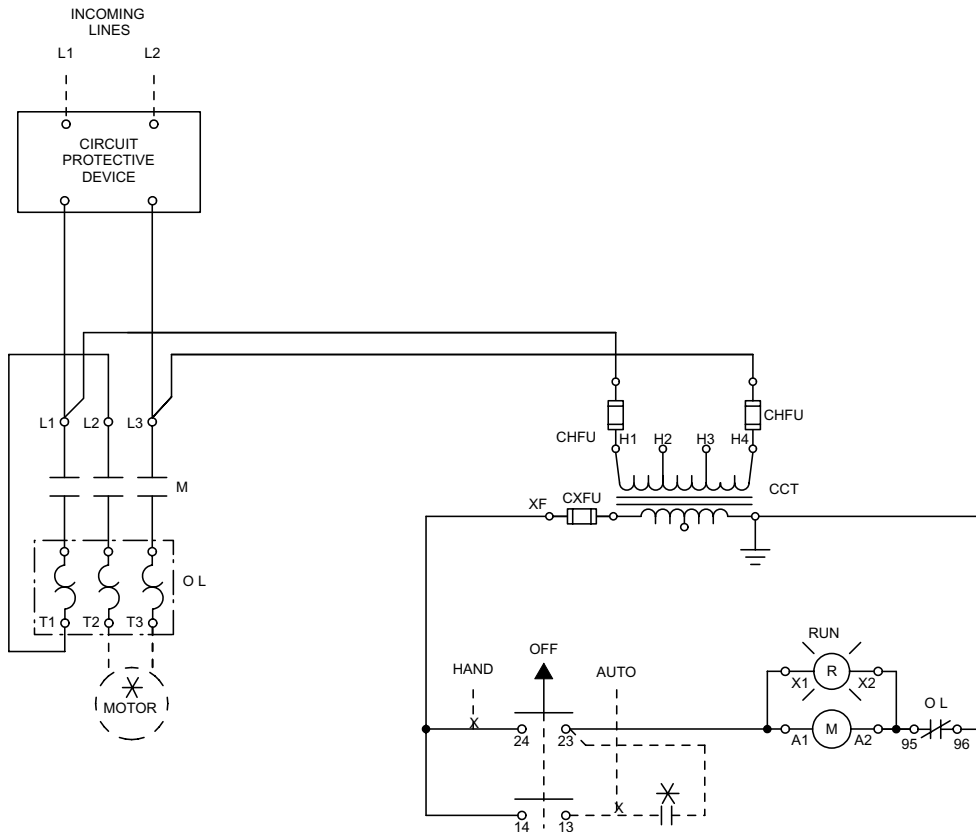
00.00 Inches
00.00 [Millimeters]

Non-reversing, single phase – A9 - A185 shown with control circuit transformer, START-STOP

3



Non-reversing, single phase – A9 - A185 shown with control circuit transformer, HOA



Circuit diagrams

Non-reversing

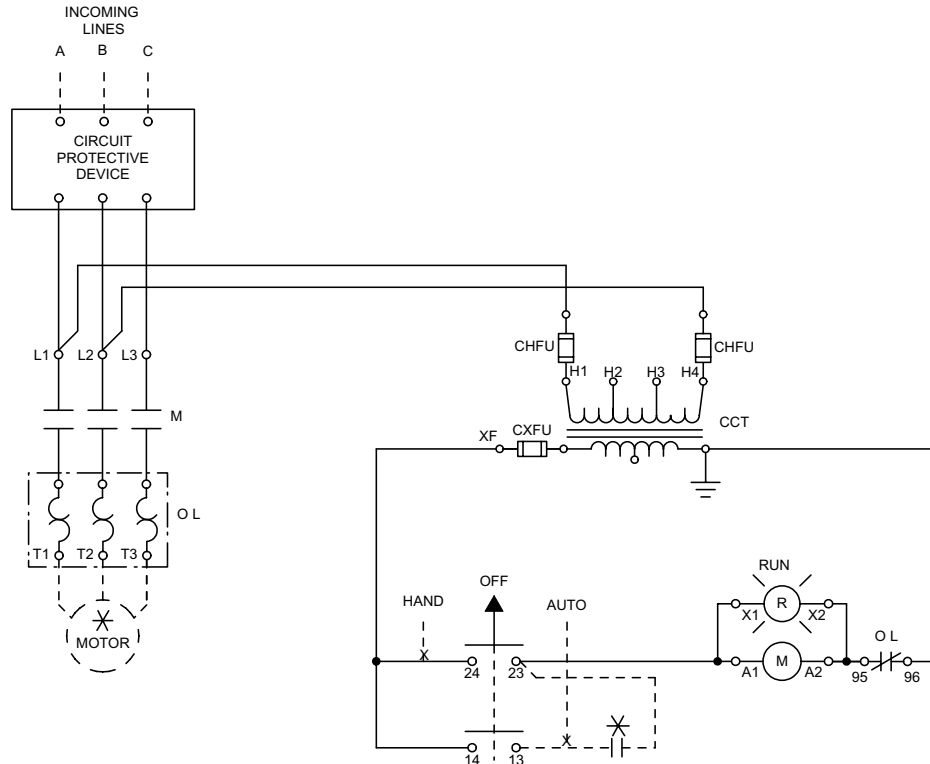
Reversing

00.00 Inches
00.00 [Millimeters]

Non-reversing

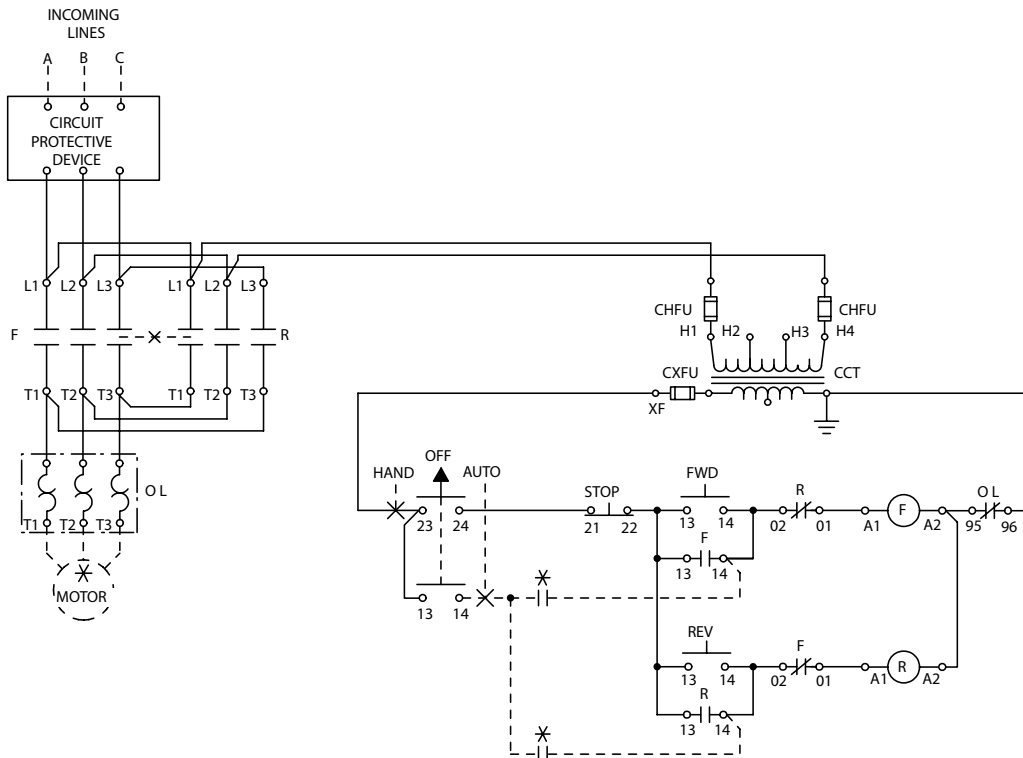
A9 – A750 shown with control circuit transformer, HOA

3



Reversing

A9 – A750 shown with control circuit transformer, HOA, STOP, FWD, REV



Circuit diagrams

2 Speed, 1 Winding

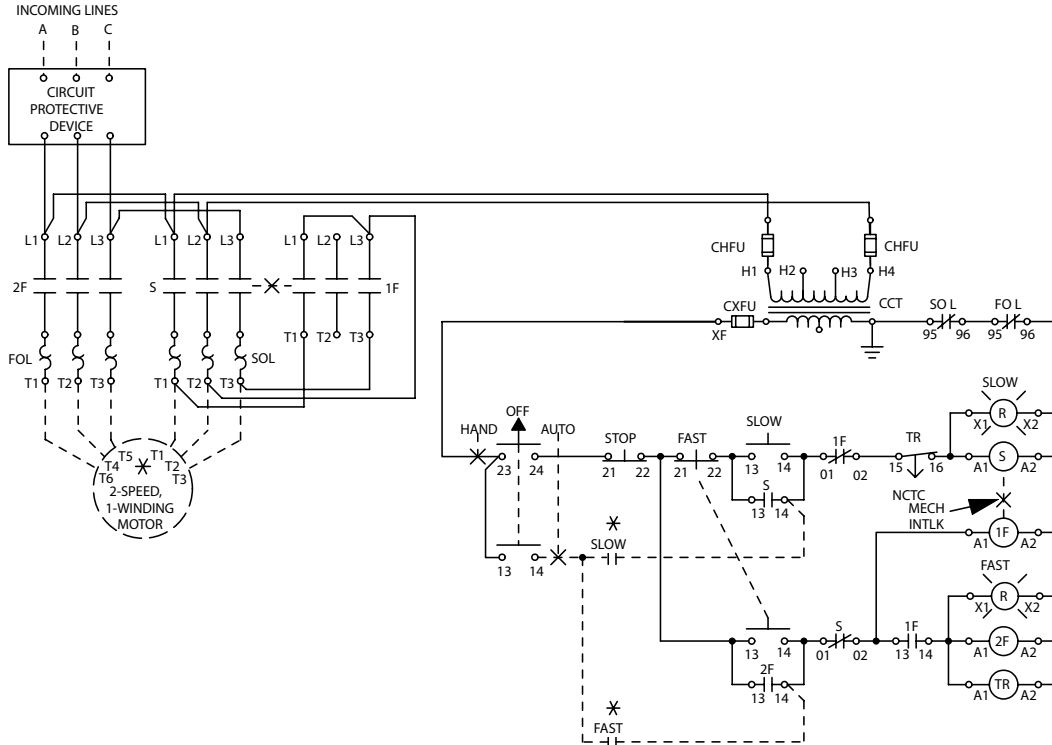
2 Speed, 2 Winding

00.00 Inches
00.00 [Millimeters]

2 Speed, 1 winding — constant or variable torque, selective control

A9 – A750 shown with control circuit transformer, HOA, STOP-FAST-SLOW

3



2 Speed, 2 winding

A9 – A750 shown with control circuit transformer, FAST-SLOW-OFF-AUTO

