

DONGAN ELECTRIC MANUFACTURING Co.



TRANSFORMER DISCONNECTS For Control Panel Lighting and Auxiliary Power

**UL and CUL Listed
TÜV Rheinland Licensed / CE Marked Series**



Dongan Electric Manufacturing Co.

Distributed By:

Spec Tech Industrial 203 Vest Ave Valley Park, MO 63088 Phone: 888 SPECTECH
E-mail: sales@spectechind.com www.spectechind.com



Transformer Disconnect

DONGAN ELECTRIC MANUFACTURING CO. • 2987 FRANKLIN • DETROIT, MI 48207
800.428.2626 • 313.567.8500 • FAX 313.567.8828 • www.dongan.com

EU Declaration of Conformity

Declaration of Conformity

According to IEC Guide 204-1 and EN 60 204-1

Manufacturer's Name: **Dongan Electric Mfg. Company**

Manufacturer's Address: **2987 Franklin Street
Detroit, Michigan 48207
U.S.A.**

Dongan Electric Mfg. Company declares that the product prefixes cited below:

Model Numbers:	Series TDL	Series TDL12
	Series TDE	Series TDE12
	Series TDA	Series TDA12
	Series TLA	Series TLA12\
	Series DES (Specialty / Custom Applications)	

Conform to the following standards:

Safety: EN 60 204-1,
Safety of Machines- Electrical Equipment of Machinery
EN 60 742,
Isolating Transformers and Safety Isolating
Transformer Requirements

Supplementary Information:

When properly installed and used, the Dongan Disconnect Series cited above meet the essential requirements, are in conformity with, and the CE Marking has been applied, according to the relevant EC Directives listed above and appropriate sections of the Low Voltage Directive 73/23/EEC.

Licensed by TÜV Rheinland of North America, Inc, license No. T9773001.01, dated December 5, 1997.

Dongan Electric Manufacturing Company

Dave Shah
Chief Engineer

Detroit, Michigan 48207 USA
January, 1998

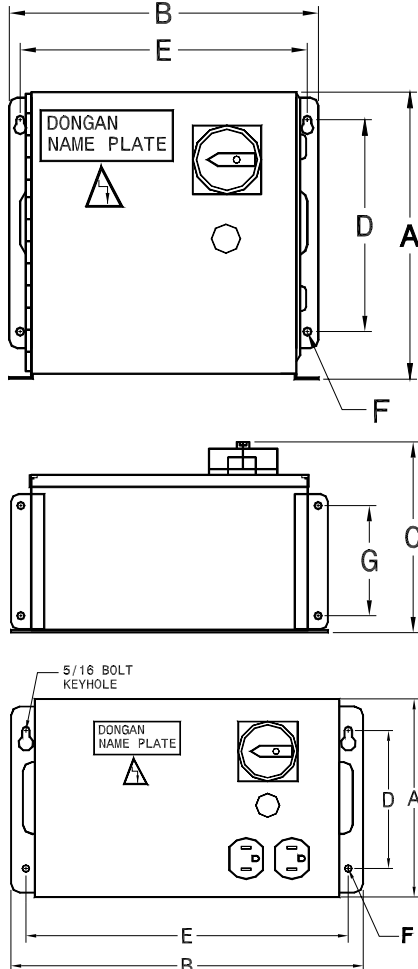
Approved By: D. Shah Initial DS Written By: C. Lincoln Initial CL Revision 1.2 Date 1/5/98

Transformer Disconnect

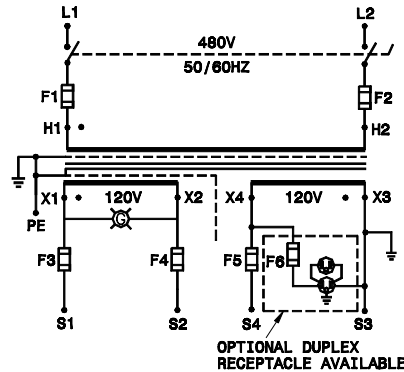
Dongan Electric Manufacturing Company is pleased to display its new line of Transformer Lighting Disconnects. The products in this catalog represent the most advanced series of disconnects available in the market today. Most important, these products have the approvals and certifications needed to compete and ship virtually worldwide.

All Dongan Disconnects are UL Listed and Canadian UL Listed. In addition, all series, except Series TDG12, ADL, and ADL12, are CE Marked and Licensed for the European Union "T" Mark under the EN60204-1/10-92 Safety of Machinery Standard. These Disconnects have undergone extensive testing and certification by TÜV Rheinland and Underwriters Labs.

With Dongan Disconnects, approvals are built in - not a high cost option.



Dongan Disconnects are manufactured in 11 distinct series with features to meet all your transformer lighting disconnect needs:



- NEMA 1/IP23 and NEMA 12/IP54 enclosure styles.
- Domestic and multitap European voltage combinations.
- Finger - Safe fuses and transformer terminals.
- CE Marked, TÜV Bauart Marked, copper wound transformers.
- European and domestic color coded labels and switches.
- Custom designs through 15 kVA and Remote Transformer Mount models available.
- Dongan Transformer Disconnects comply with automotive specifications.

Extensive third party approvals provide great flexibility in design variation. Contact your Dongan distributor, your Dongan Representative or the factory if the voltage combination, or configuration needed is not shown in this catalog. We would be glad to share our specialty design programs with you to provide disconnects matching the precise specifications required.

NOTE:

- Dimensions and weights may vary. Please consult factory for certified drawings.

Series TDL

Transformer VA Capacity	Dongan Catalog No.	Pri. Max Amps	Pri. Fuse Size F1 & F2	Sec. Max Amps	Sec. Fuse Size F3	Max Lighting Amps	Max Duplex Amps	Sec. Fuse Size F4	Approx. Weight Lbs.
250	TDL-130	.52	1.5	2.08	2.25	2.08	--	--	27
500	TDL-170	1.04	3.0	4.17	4.5	4.17	--	--	35
750	TDL-190	1.56	4.5	6.25	6.25	6.25	--	--	45
1000	TDL-200	2.08	3.25	8.33	2.0	2.00	6.33	7.0	49
1500	TDL-210	3.13	5.0	12.50	5.0	5.00	7.50	8.0	55
2000	TDL-230	4.17	6.25	16.67	10.0	9.00	7.50	8.0	69
3000	TDL-250	6.25	10.0	25.00	10.0	10.00	15.00	15.0	82

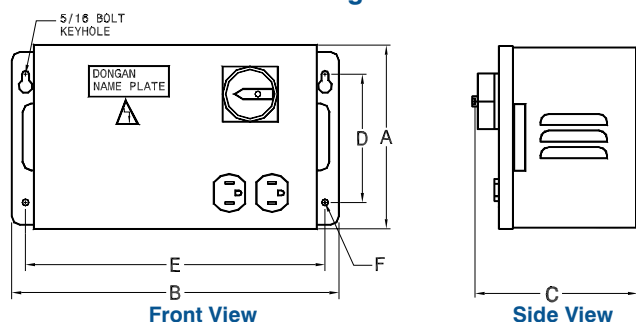
Features

- NEMA 1 / IP 23 enclosure.
- Primary Voltage: 480 VAC.
- Secondary Voltage: 120 VAC.
- 50 / 60 Hz.
- One side of secondary grounded.
- Transformer is copper wound with electrostatic shield (earth metal screen).
- Finger-safe terminals.
- All overcurrent protection provided:
 - Primary - Class CC
 - Secondary - Supplementary fuses (13/32" x 1 1/2").
- Complies with automotive industry specifications.
- 3 position, padlockable cam switch.
- Duplex receptacle provided on 1000 VA through 3000 VA, optional on 250 VA - 750 VA.
- Dedicated physical earth terminal.
- Bonded door ground stud.
- Options: Green, "ON" pilot light available as additional cost option. Other voltage combinations available.

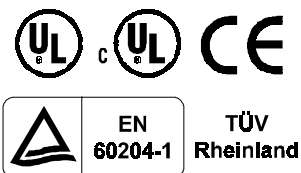
Dimensions

VA	A	B	C	D	E	F
250 - 2000	9.00	14.75	9.13	5.75	13.75	.340
3000	10.75	14.75	9.13	5.75	13.75	.340

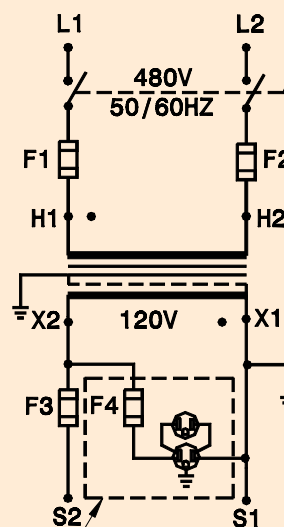
Series TDL Outline Drawings



Agency Compliance



Series TDL Schematic Drawing



Receptacle Supplied on 1 kVA and Larger

Transformer Lighting Disconnect

Series TDL12

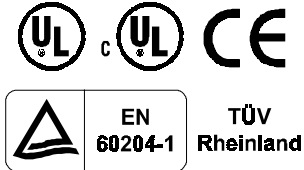
Transformer VA Capacity	Dongan Catalog No.	Pri. Max Amps	Pri. Fuse Size F1 & F2	Sec. Max Amps	Sec. Fuse Size F3	Max Lighting Amps	Max Receptacle Amps	Sec. Fuse Size F4	Approx. Weight Lbs.
250	TDL12-130	0.52	1.5	2.08	2.25	2.08	--	--	29
500	TDL12-170	1.04	3.0	4.17	4.5	4.17	--	--	37
750	TDL12-190	1.56	4.5	6.25	6.25	6.25	--	--	47
1000	TDL12-200	2.08	3.25	8.33	9.0	8.33	--	--	51
1500	TDL12-210	3.13	5.0	12.50	15.0	12.50	--	--	57
2000	TDL12-230	4.17	6.25	16.67	20.0	16.67	--	--	71
3000	TDL12-250	6.25	10.0	25.00	25.0	25.00	--	--	96

DONGAN ELECTRIC MANUFACTURING CO. • 2987 FRANKLIN • DETROIT, MI 48207
 800.428.2626 • 313.567.8500 • FAX 313.567.8828 • www.dongan.com

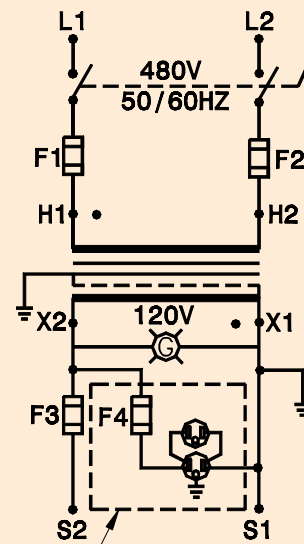
Features

- NEMA 12 / IP 54 enclosure.
- Primary Voltage: 480 VAC.
- Secondary Voltage: 120 VAC.
- 50 / 60 Hz.
- One side of secondary grounded.
- Transformer is copper wound with electrostatic shield (earth metal screen).
- Finger-safe terminals.
- All overcurrent protection provided:
 Primary - Class CC
 Secondary - Supplementary fuses (13/32" x 1 1/2").
- Complies with automotive industry specifications.
- 3 position, padlockable cam switch.
- Gasketed receptacle available as an added cost option on all sizes.
- Green "ON" pilot light provided.
- Dedicated physical earth terminal.
- Bonded door ground stud.
- Options: Other voltage combinations available.

Agency Compliance



Series TDL12 Schematic Drawing

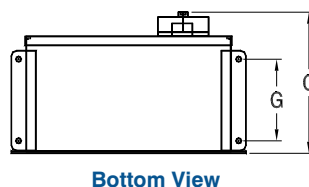
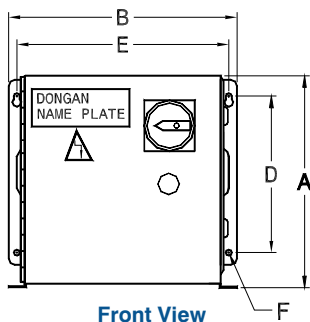


Optional Receptacle Available

Dimensions

VA	A	B	C	D	E	F	G
250 - 2000	12.75	14.00	9.38	9.38	13.00	.340	4.63
3000	15.19	18.00	11.38	11.50	17.00	.410	7.50

Series TDL12 Outline Drawings



Series TDE

Transformer VA Capacity	Dongan Catalog No.	Pri. Max Amps 380 V*	Sec. Max Amps	Sec. Fuse Size F3	Max Lighting Amps	Max Duplex Amps	Sec. Fuse Size F4	Approx. Weight Lbs.
250	TDE-130	.66	2.08	2.25	2.08	--	--	31
500	TDE-170	1.32	4.17	4.5	4.17	--	--	35
750	TDE-190	1.97	6.25	6.25	6.25	--	--	45
1000	TDE-200	2.63	8.33	9.0	8.33	--	--	49
1500	TDE-210	3.95	12.50	15.0	12.50	--	--	55
2000	TDE-230	5.26	16.67	20.0	16.67	--	--	69
3000	TDE-250	7.90	25.00	25.0	25.00	--	--	86

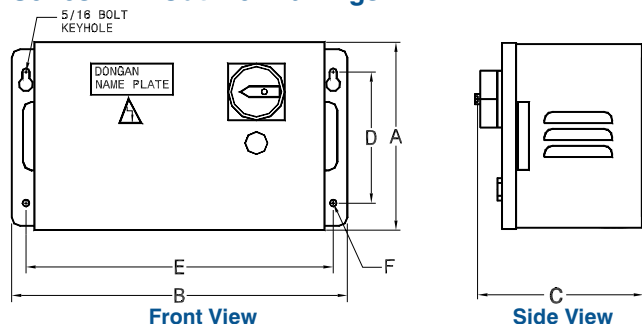
* Primary max amps for other voltages may be obtained by dividing VA capacity by line voltage.

Features

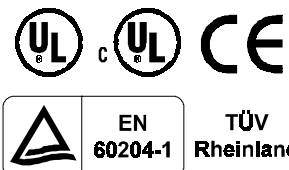
- NEMA 1 / IP 23 enclosure.
- Primary Voltage: 380/400/416/440/460/480/575 VAC.
- Secondary Voltage: 110/115/120 VAC.
- 50 / 60 Hz.
- One side of secondary grounded.
- Transformer is copper wound with electrostatic shield (earth metal screen).
- Finger-safe terminals.
- 3 position, padlockable cam switch.
- Overcurrent protection provided:
 - Primary - Class CC Fuse holders only.
 - Secondary - Supplementary fuses (13/32" x 1 1/2").
- Duplex receptacle available as an added cost option on all sizes.
- Green "ON" pilot light provided.
- Dedicated physical earth terminal.
- Bonded door ground stud.
- Options: Other voltage combinations available.

Dimensions						
VA	A	B	C	D	E	F
250 - 2000	9.00	14.75	9.13	5.75	13.75	.340
3000	10.75	14.75	9.13	5.75	13.75	.340

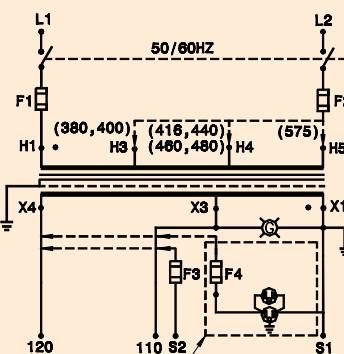
Series TDE Outline Drawings



Agency Compliance



Series TDE Schematic Drawing



Optional Receptacle Available

Transformer Lighting Disconnect

Series TDE12

Transformer VA Capacity	Dongan Catalog No.	Pri. Max Amps 380 V*	Sec. Max Amps	Sec. Fuse Size F3	Max Lighting Amps	Max Receptacle Amps	Sec. Fuse Size F4	Approx. Weight Lbs.
250	TDE12-130	.66	2.08	2.25	2.08	--	--	33
500	TDE12-170	1.32	4.17	4.5	4.17	--	--	37
750	TDE12-190	1.97	6.25	6.25	6.25	--	--	47
1000	TDE12-200	2.63	8.33	9.0	8.33	--	--	51
1500	TDE12-210	3.95	12.50	15.0	12.50	--	--	57
2000	TDE12-230	5.26	16.67	20.0	16.67	--	--	71
3000	TDE12-250	7.90	25.00	25.0	25.00	--	--	100

* Primary max amps for other voltages may be obtained by dividing VA capacity by line voltage.

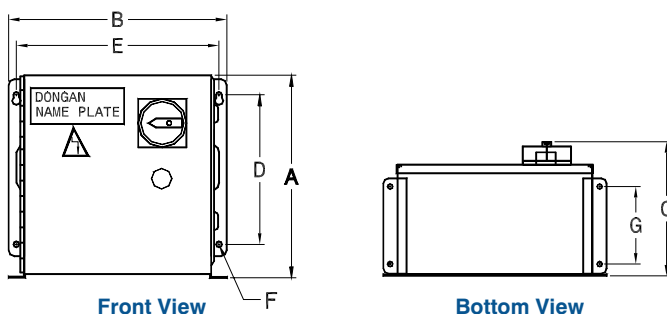
Features

- NEMA 12 / IP 54 enclosure.
- Primary Voltage: 380/400/416/440/460/480/575 VAC.
- Secondary Voltage: 110/115/120 VAC.
- 50 / 60 Hz.
- One side of secondary grounded.
- Transformer is copper wound with electrostatic shield (earth metal screen).
- Finger-safe terminals.
- 3 position, padlockable cam switch.
- Overcurrent protection provided: Primary - Class CC Fuse holders only. Secondary - Supplementary fuses (13/32" x 1 1/2").
- Gasketed receptacle available as an added cost option on all sizes.
- Green "ON" pilot light provided.
- Dedicated physical earth terminal.
- Bonded door ground stud.
- Options: Other voltage combinations available.

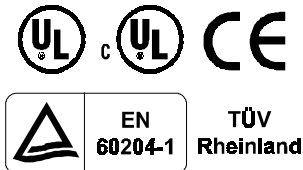
Dimensions

VA	A	B	C	D	E	F	G
250 - 2000	12.75	14.00	9.38	9.38	13.00	.340	4.63
3000	15.19	18.00	11.38	11.50	17.00	.410	7.50

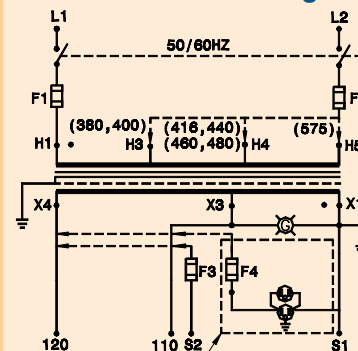
Series TDE12 Outline Drawings



Agency Compliance



Series TDE12 Schematic Drawing



Optional Receptacle Available

Series TDA

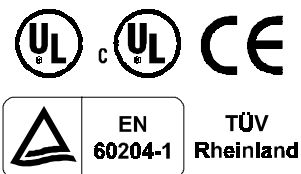
Transformer VA Capacity	Dongan Catalog No.	Pri. Max Amps	Pri. Fuse Size F1 & F2	Sec. Max Amps*	Max Lighting Amps	Max Duplex Amps	Approx. Weight Lbs.
500	TDA-170	1.04	3.0	4.17	--	--	35
750	TDA-190	1.56	4.5	6.25	--	--	45
1000	TDA-200	2.08	3.25	8.33	--	--	49
1500	TDA-210	3.13	5.0	12.50	--	--	55
2000	TDA-230	4.17	6.25	16.67	2.00	15.00	69
3000	TDA-250	6.25	10.0	25.00	10.00	15.00	82

* Lighting amps and Max. duplex amps must not exceed total secondary max amps when used simultaneously.

Features

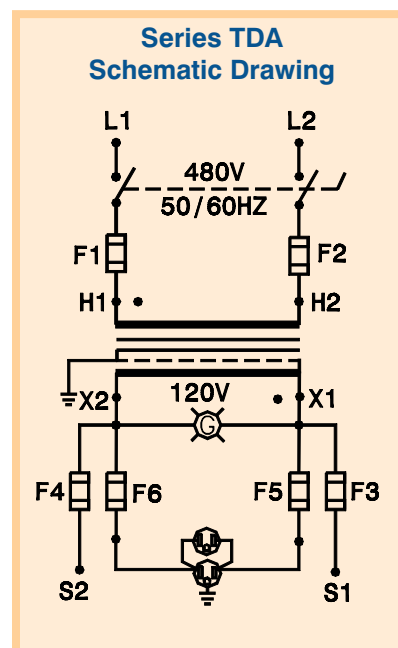
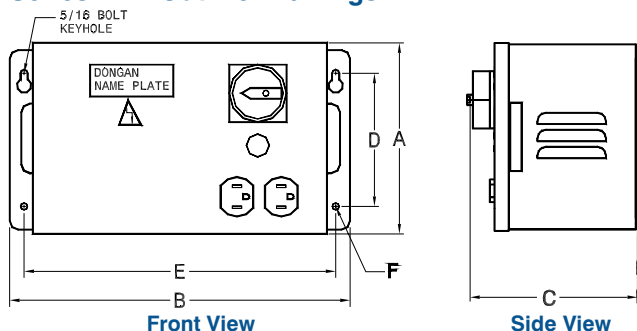
- NEMA 1 / IP 23 enclosure.
- Primary Voltage: 480 VAC.
- Secondary Voltage: 120 VAC.
- 50 / 60 Hz.
- Both sides of secondary isolated from ground.
- Transformer is copper wound with electrostatic shield (earth metal screen).
- Finger-safe terminals.
- Primary overcurrent protection provided:
Primary - Class CC
Secondary fuse holders only for 13/32" x 1 1/2" fuses.
- Complies with automotive industry specifications.
- 3 position, padlockable cam switch.
- Duplex receptacle provided on all sizes.
- Green "ON" pilot light provided.
- Dedicated physical earth terminal.
- Bonded door ground stud.
- Options: Other voltage combinations available.

Agency Compliance



Dimensions						
VA	A	B	C	D	E	F
500 - 2000	9.00	14.75	9.13	5.75	13.75	.340
3000	10.75	14.75	9.13	5.75	13.75	.340

Series TDA Outline Drawings



Transformer Disconnect - Auxiliary Power

Series TDA12

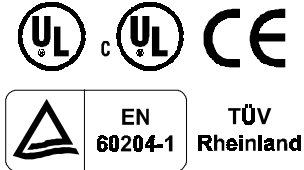
Transformer VA Capacity	Dongan Catalog No.	Pri. Max Amps	Pri. Fuse Size F1 & F2	Sec. Max Amps	Sec. Fuse Size F3 & F4	Max Lighting Amps	Max Receptacle Amps	Approx. Weight Lbs.
500	TDA12-170	1.04	3.0	4.17	4.5	4.16	--	37
750	TDA12-190	1.56	4.5	6.25	6.25	6.25	--	47
1000	TDA12-200	2.08	3.25	8.33	9.0	8.33	--	51
1500	TDA12-210	3.13	5.0	12.50	15.0	12.50	--	57
2000	TDA12-230	4.17	6.25	16.67	20.0	16.66	--	71
3000	TDA12-250	6.25	10.0	25.00	25.0	25.00	--	96

DONGAN ELECTRIC MANUFACTURING CO. • 2987 FRANKLIN • DETROIT, MI 48207
 800.428.2626 • 313.567.8500 • FAX 313.567.8828 • www.dongan.com

Features

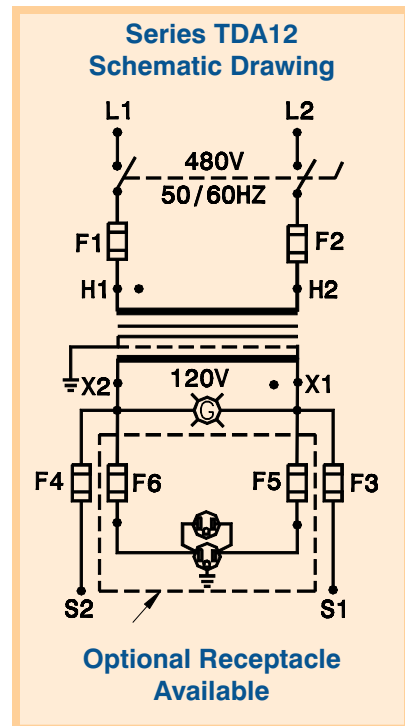
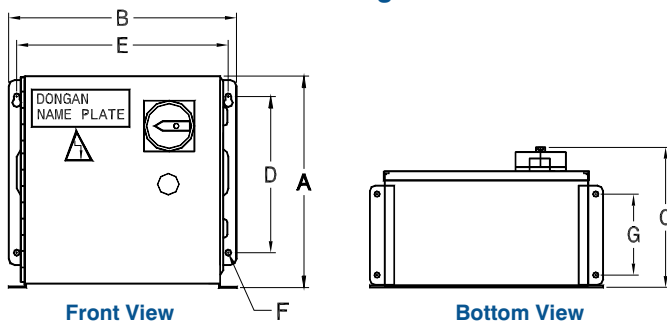
- NEMA 12 / IP 54 enclosure.
- Primary Voltage: 480 VAC.
- Secondary Voltage: 120 VAC.
- 50 / 60 Hz.
- Both sides of secondary isolated from ground.
- Transformer is copper wound with electrostatic shield (earth metal screen).
- Finger-safe terminals.
- All overcurrent protection provided:
 - Primary - Class CC
 - Secondary - Supplementary fuses (13/32" x 1 1/2").
- Complies with automotive industry specifications.
- 3 position, padlockable cam switch.
- Gasketed receptacle available as an added cost option on all sizes.
- Green "ON" pilot light provided.
- Dedicated physical earth terminal.
- Bonded door ground stud.
- Options: Other voltage combinations available.

Agency Compliance



Dimensions							
VA	A	B	C	D	E	F	G
500 - 2000	12.75	14.00	9.38	9.38	13.00	.340	4.63
3000	15.19	18.00	11.38	11.50	17.00	.410	7.50

Series TDA12 Outline Drawings



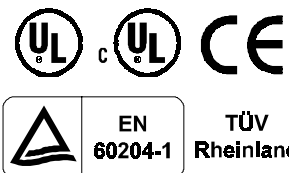
Series TLA

Transformer VA Capacity	Dongan Catalog No.	Pri. Max Amps	Pri. Fuse Size F1 & F2	Secondary 1			Secondary 2			Approx. Weight Lbs.
				Sec. One VA Capacity	Sec. One Max Amps	Sec. One Fuse Size F3 & F4	Sec. Two VA Capacity	Sec. Two Max Amps	Sec. Two Fuse Size F5	
1000	TLA-170170	2.08	5.0	500	4.17	4.5	500	4.17	4.5	49
1500	TLA-200170	3.13	5.0	1000	8.33	9.0	500	4.17	4.5	55
1500	TLA-190190	3.13	5.0	750	6.25	6.25	750	6.25	6.25	55
1500	TLA-170200	3.13	5.0	500	4.17	4.5	1000	8.33	9.0	55
1750	TLA-190200	3.64	6.0	750	6.25	6.25	1000	8.33	9.0	69
3000	TLA-200230	6.25	10.0	1000	8.33	9.0	2000	16.67	20.0	82
3750	TLA-190250	7.81	12.0	750	6.25	6.25	3000	25.00	25.0	84
4000	TLA-200250	8.33	12.0	1000	8.33	9.0	3000	25.00	25.0	86

Features

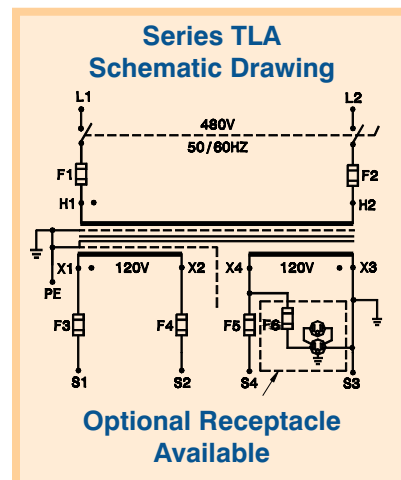
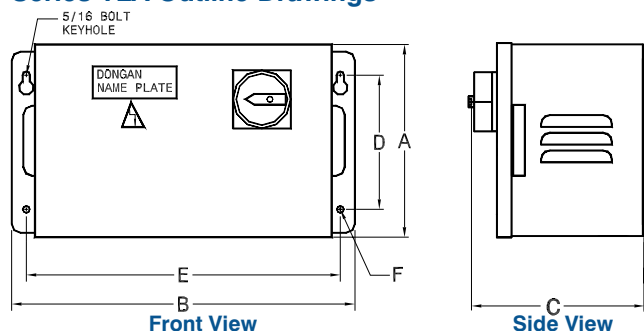
- NEMA 1 / IP 23 enclosure.
- Primary Voltage: 480 VAC.
- 50 / 60 Hz.
- Secondary One: 120 VAC.
- Secondary Two: 120 VAC.
- Disconnect features dual isolated secondaries for load isolation.
- Secondary One: Both sides ungrounded.
- Secondary Two: One side grounded.
- 3 position, padlockable cam switch.
- Transformer is copper wound with electrostatic shield (earth metal screen) between primary and secondary and between secondary one and secondary two.
- Finger-safe terminals.
- All overcurrent protection provided:
Primary - Class CC
Secondary - Supplementary fuses (13/32" x 1 1/2").
- Duplex receptacle optional on all sizes.
- Green "ON" pilot light optional on all sizes.
- Dedicated physical earth terminal.
- Bonded door ground stud.
- Other options: Other voltage combinations available.

Agency Compliance



Dimensions						
VA	A	B	C	D	E	F
1000 - 1750	9.00	14.75	9.13	5.75	13.75	.340
3000 - 4000	10.75	14.75	9.13	5.75	13.75	.340

Series TLA Outline Drawings



Dual Secondary Transformer Lighting Disconnect

Series TLA12

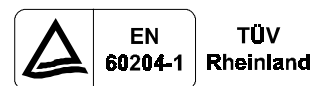
Transformer VA Capacity	Dongan Catalog No.	Pri. Max Amps	Pri. Fuse Size F1 & F2	Secondary 1			Secondary 2			Approx. Weight Lbs.
				Sec. One VA Capacity	Sec. One Max Amps	Sec. One Fuse Size F3 & F4	Sec. Two VA Capacity	Sec. Two Max Amps	Sec. Two Fuse Size F5	
1000	TLA12-170170	2.08	5.0	500	4.17	4.5	500	4.17	4.5	51
1500	TLA12-200170	3.13	5.0	1000	8.33	9.0	500	4.17	4.5	57
1500	TLA12-190190	3.13	5.0	750	6.25	6.25	750	6.25	6.25	57
1500	TLA12-170200	3.13	5.0	500	4.17	4.5	1000	8.33	9.0	57
1750	TLA12-190200	3.64	6.0	750	6.25	6.25	1000	8.33	9.0	71
3000	TLA12-200230	6.25	10.0	1000	8.33	9.0	2000	16.67	20.0	96
3750	TLA12-190250	7.81	12.0	750	6.25	6.25	3000	25.00	25.0	98
4000	TLA12-200250	8.33	12.0	1000	8.33	9.0	3000	25.00	25.0	100

DONGAN ELECTRIC MANUFACTURING CO. • 2987 FRANKLIN • DETROIT, MI 48207
 800.428.2626 • 313.567.8500 • FAX 313.567.8828 • www.dongan.com

Features

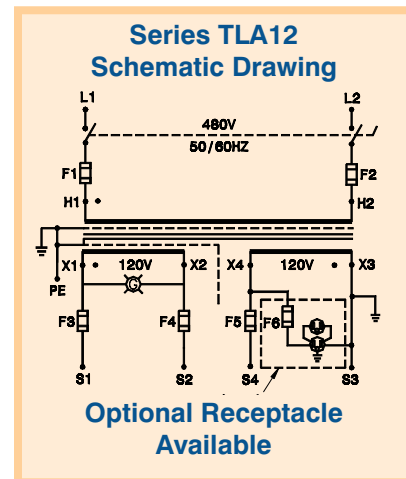
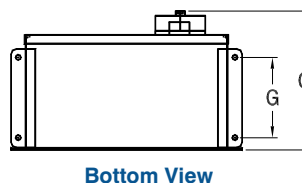
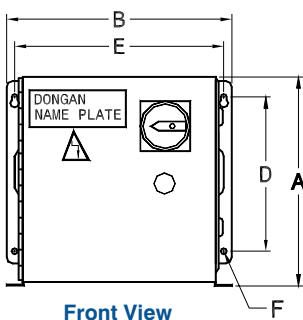
- NEMA 12 / IP 54 enclosure.
- Primary Voltage: 480 VAC.
- 50 / 60 Hz.
- Secondary One: 120 VAC.
- Secondary Two: 120 VAC.
- Disconnect features dual isolated secondaries for load isolation.
- Secondary One: Both sides ungrounded.
- Secondary Two: One side grounded.
- Finger-safe terminals.
- Transformer is copper wound with electrostatic shield (earth metal screen) between primary and secondary and between secondary one and secondary two.
- 3 position, padlockable cam switch.
- All overcurrent protection provided:
Primary - Class CC
Secondary - Supplementary fuses (13/32" x 1 1/2").
- Green "ON" pilot light provided.
- Gasketed receptacle optional on all sizes.
- Dedicated physical earth terminal.
- Bonded door ground stud.
- Other options: Other voltage combinations available.

Agency Compliance



Dimensions							
VA	A	B	C	D	E	F	G
1000 - 1750	12.75	14.00	9.38	9.38	13.00	.340	4.63
3000 - 4000	15.19	18.00	11.38	11.50	17.00	.410	7.50

Series TLA12 Outline Drawings



Series ADL

Transformer VA Capacity	Dongan Catalog No.	Pri. Max Amps	Pri. Fuse Size F1 & F2	Sec. Max Amps	Sec. Fuse Size F3	Max Lighting Amps	Max Duplex Amps	Sec. Fuse Size F4	Approx. Weight Lbs.
250	ADL-130	.52	1.5	2.08	2.25	2.08	--	--	27
500	ADL-170	1.04	3.0	4.17	4.5	4.17	--	--	31
750	ADL-190	1.56	4.5	6.25	6.25	6.25	--	--	35
1000	ADL-200	2.08	3.2	8.33	2.0	2.08	6.33	7.0	44
1500	ADL-210	3.13	5.0	12.50	5.0	5.00	7.50	8.0	49
2000	ADL-230	4.17	6.25	16.67	10.0	9.00	7.50	8.0	56
3000	ADL-250	6.25	10.0	25.00	10.0	10.00	15.00	15.0	69

Features

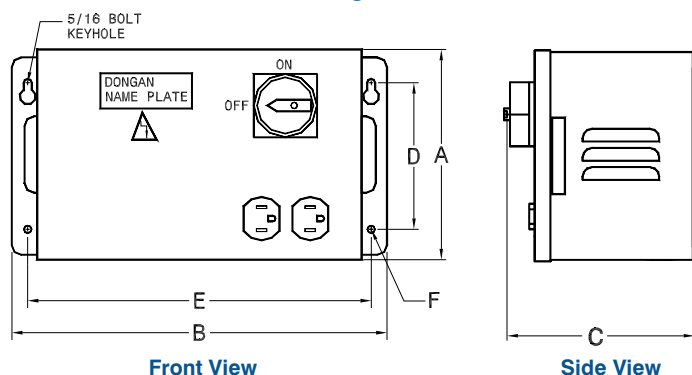
- NEMA 1 / IP 23 enclosure
- Primary Voltage: 480 VAC
- Secondary Voltage: 120 VAC.
- 60 Hz.
- One side of secondary grounded.
- Transformer is copper wound with electrostatic shield (earth metal screen).
- Finger-safe terminals.
- All overcurrent protection provided:
 - Primary - Class CC
 - Secondary - Supplementary fuses (13/32" x 1 1/2").
- Complies with automotive industry specifications.
- 3 position, padlockable cam switch.
- Duplex receptacle provided on 1000 VA through 3000 VA, optional on 250 VA - 750 VA.
- Dedicated physical earth terminal.
- Bonded door ground stud.
- Options: Green or red "ON" pilot light available as additional cost option. Other voltage combinations available.

Agency Compliance

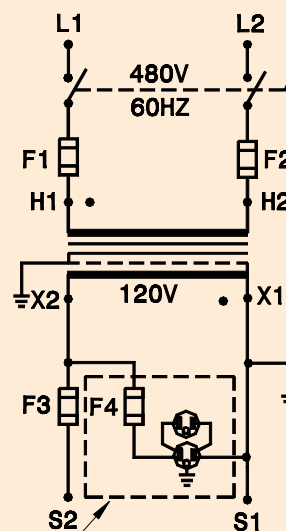


Dimensions						
VA	A	B	C	D	E	F
250 - 3000	9.00	14.75	9.13	5.75	13.75	.340

Series ADL Outline Drawings



Series ADL Schematic Drawing



Receptacle Supplied on 1 kVA and Larger

Transformer Lighting Disconnect

Series ADL12

Transformer VA Capacity	Dongan Catalog No.	Pri. Max Amps	Pri. Fuse Size F1 & F2	Sec. Max Amps	Sec. Fuse Size F3	Max Lighting Amps	Max Receptacle Amps	Sec. Fuse Size F4	Approx. Weight Lbs.
250	ADL12-130	.52	1.5	2.08	2.25	2.08	--	--	29
500	ADL12-170	1.04	3.0	4.17	4.5	4.17	--	--	33
750	ADL12-190	1.56	4.5	6.25	6.25	6.25	--	--	37
1000	ADL12-200	2.08	3.2	8.33	9.0	8.33	--	--	46
1500	ADL12-210	3.13	5.0	12.50	15.0	12.50	--	--	51
2000	ADL12-230	4.16	6.25	16.67	20.0	16.67	--	--	58
3000	ADL12-250	6.25	10.0	25.00	25.0	25.00	--	--	71

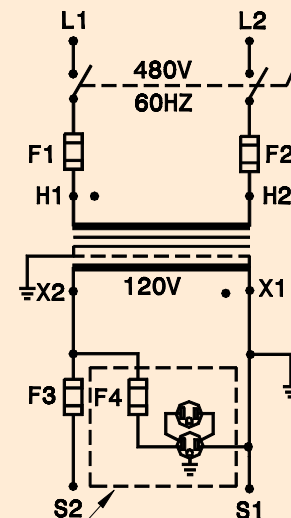
Features

- NEMA 12 / IP 54 enclosure.
- Primary Voltage: 480 VAC.
- Secondary Voltage: 120 VAC.
- 60 Hz.
- One side of secondary grounded.
- Transformer is copper wound with electrostatic shield (earth metal screen).
- Finger-safe terminals.
- Complies with automotive industry specifications.
- 3 position, padlockable cam switch.
- All overcurrent protection provided:
Primary - Class CC
Secondary - Supplementary fuses (13/32" x 1 1/2").
- Gasketed receptacle available as additional cost option.
- Dedicated physical earth terminal.
- Bonded door ground stud.
- Options: Green or red "ON" pilot light available as additional cost option. Other voltage combinations available.

Agency Compliance



Series ADL12 Schematic Drawing

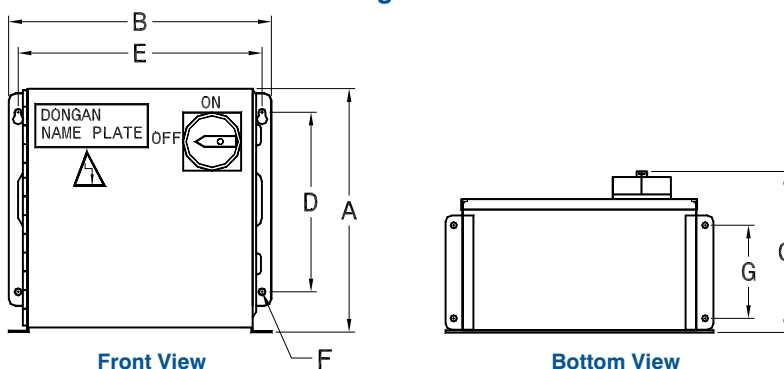


Optional Receptacle Available

Dimensions

VA	A	B	C	D	E	F	G
250 - 3000	12.75	14.00	9.38	9.38	13.00	.340	4.63

Series ADL12 Outline Drawings



Series TDG12

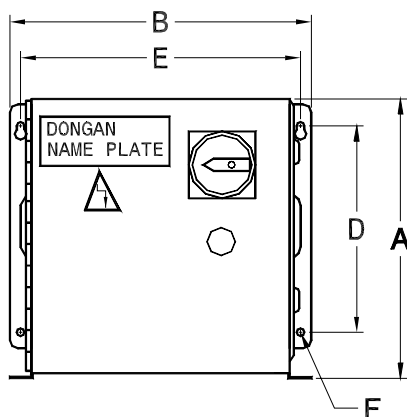
Transformer VA Capacity	Dongan Catalog No.	Pri. Max Amps	Pri. Fuse Size F1 & F2	Sec. Max Amps	Sec. Fuse Size F3	Sec. Fuse Size with Receptacle F3	Sec. Fuse Size with Receptacle F4	Approx. Weight Lbs.
5000	TDG12-300	10.41	15.0	41.66	45.0	35.0	6.0	125
7500	TDG12-330	15.62	25.0	60.00	60.0	50.0	10.0	150

Features

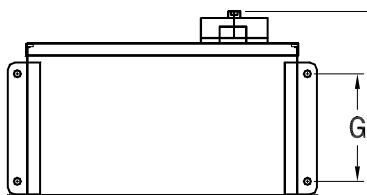
- NEMA 12 / IP 54 enclosure.
- Primary Voltage: 480 VAC.
- Secondary Voltage: 120 VAC.
- 60 Hz.
- Large capacity - 5000 VA and 7500 VA.
- One side of secondary grounded.
- Transformer is copper wound with electrostatic shield (earth metal screen).
- Finger-safe terminals.
- 3 position, padlockable cam switch.
- Green "ON" pilot light provided.
- All overcurrent protection provided:
Primary - Class CC
Secondary - Supplementary fuses (1 1/16" x 2 3/8").
- Gasketed duplex receptacle available as additional cost option.
- Dedicated physical earth terminal.
- Bonded door ground stud.
- Options: Other voltage combinations available.
- Custom sizes to 15 kVA available.

Dimensions							
VA	A	B	C	D	E	F	G
5000 - 7500	15.19	18.00	11.50	11.50	17.00	.410	7.50

Series TDG12 Outline Drawings



Front View

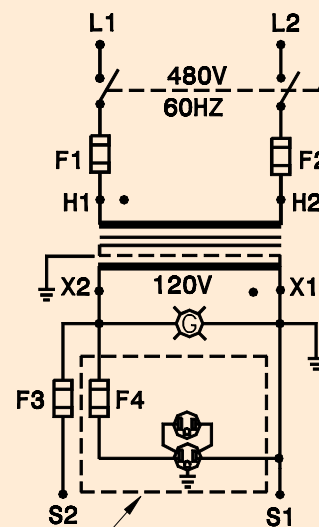


Bottom View

Agency Compliance



Series TDG12 Schematic Drawing



Optional Receptacle Available

OEM Product Groups

General Purpose Dry Type Distribution

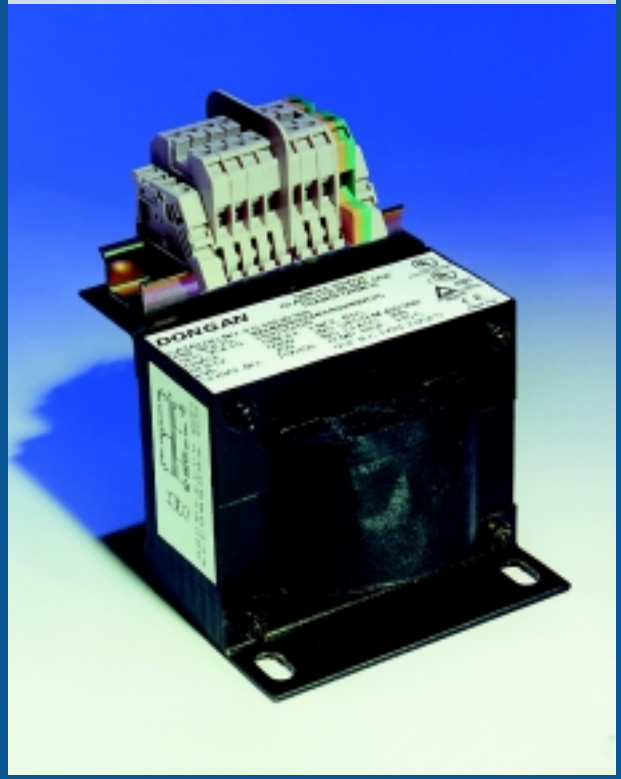
Single Phase, Three Phase, Buck Boost, Motor Drive Isolation, Custom Designs

- Single Phase, 50 VA - 100 kVA
- Series 35, 80, 85, 61
- Three Phase, 3 kVA - 150 kVA
- Series 63, 76
- Buck - Boost, 50 VA - 5 kVA
- Series 35, 80, 85
- Motor Drive Isolation, 3 kVA - 145 kVA
- Series 63
- CE Marked Single and Three
Phase Units
- Series ES-11, Series ES-31
- K Factor, 15 kVA - 150 kVA
- Series TK
- Custom Designs
- Core and Coil Designs
- Autotransformers
- UL and CSA Family Approvals



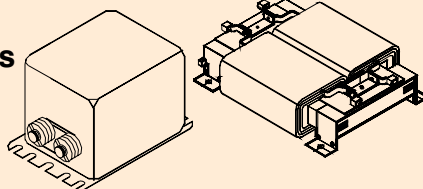
Industrial Control Transformers, Servo Drive Isolation Transformers

- Series 50, Screw Terminals
- Domestic Suffix 052, 053, 054,
056, 134
- Export Suffix 058, 059
- Series HC, Molded Terminals
- Suffix -41, -44, -46, -47
- Series HC, Molded Terminals
w/ Preconnected Fuse Holders
- Suffix -4100, -4400
- CE Marked Units - Series ES-10
- Suffix .326, .366, .376, .386
- Servo Drive Isolation Transformers
- Allen Bradley Type 1388
- Other Manufacturers Available
- Custom Designs
- UL and CSA Family Approvals



Other Dongan Products

- Series 33 Control Transformers
- Industrial Gas & Oil Ignition
Transformers
- Signaling Transformers



- Medical Isolation
Transformers
- Single and Three Phase
Testing Transformers

Dongan Electric Manufacturing Company

CE

CE Marked Disconnects

Dongan Transformer Disconnects provide off the shelf solutions for lighting and auxiliary power to control panels world wide. All disconnects are UL and Canadian UL Listed. In addition, most series have been tested and licensed by TÜV Rheinland as being in compliance with EN 60 204-1 and EN 60 742. These products bear both the CE Mark and the European Union "T" Mark under the Safety of Machinery Standard.

With Dongan Disconnects, approvals are built in - not a high cost option.



CE

CE Marked Transformers

Dongan also supplies single and three phase CE Marked transformers. Dongan Series ES Transformers offer a global solution for transformer acceptability and reliability. Series ES are UL and Canadian UL Listed, CE Marked, and have been tested and licensed by TÜV Rheinland as being in compliance with EC Directives and the relevant sections of the Low Voltage Directive. Request Transfax Bulletin 107 for more information.