

# Specifications

## Mini-Master Switch

The Euclid Mini-Master Switch uses a handle operated cam switch mechanism in a NEMA rated housing. It is engineered for use where master switch control is preferred, for CMAA duty overhead crane and similar applications.

- Housings for surface or flush mounting.
- NEMA Types 1, 3, 4 and 13.
- Very compact size.
- Choice of spring return vertical handle or maintained position vertical handle.
- Plunger detents give operator "positive position feel."
- Heavy-duty, cam-operated switch units.
- Up to 5-speed points in each direction.
- Up to 16 circuits plus feed for each direction provide unlimited operation sequences.
- Jam-proof mechanism for contact protection.

### Application

Euclid Mini-Master Switches are engineered to meet the need for a small, multi-circuit master switch for installations such as: small crane cabs, and mill auxiliaries.

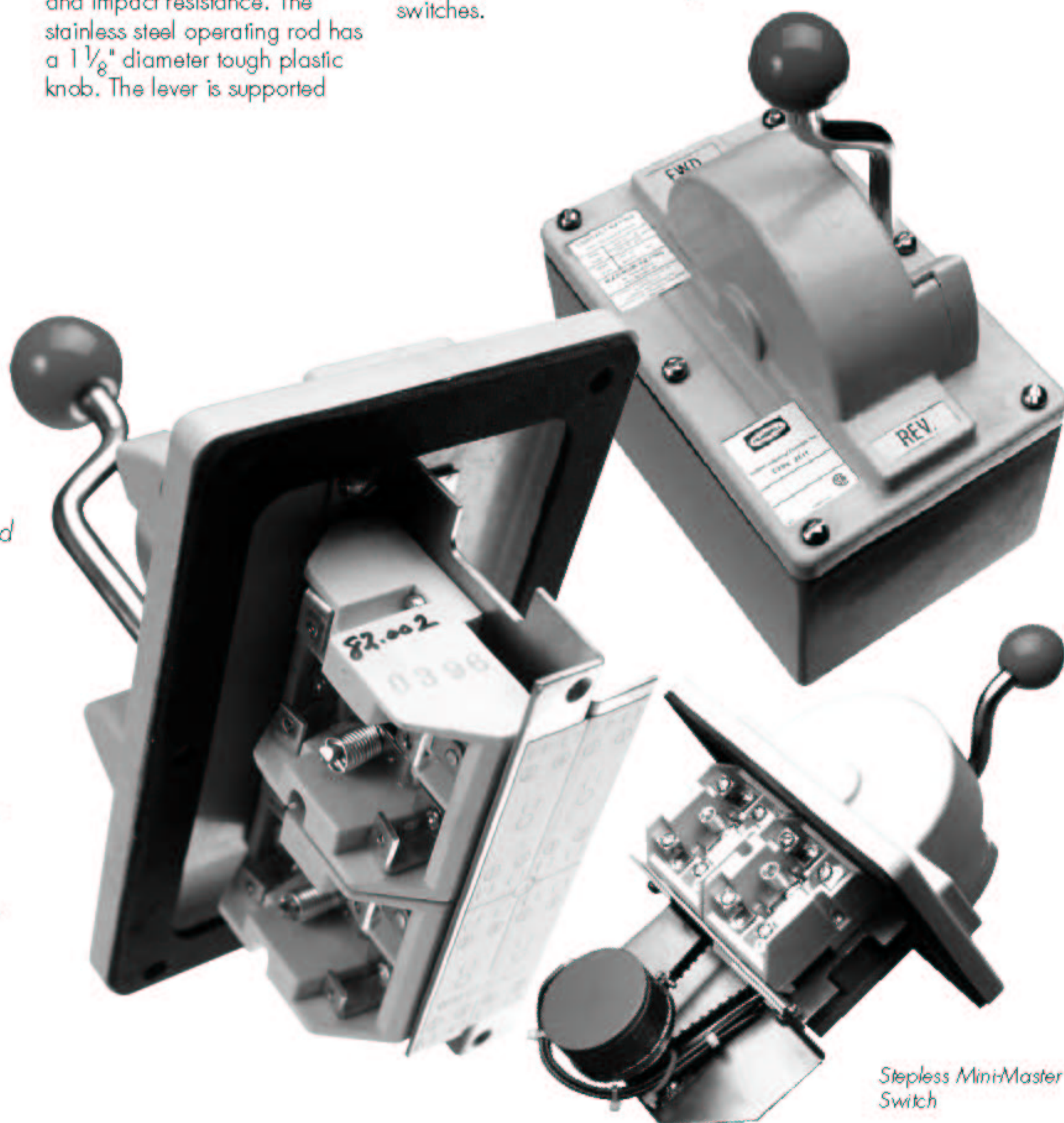
### Description

The operating head is molded of tough fiberglass reinforced polyester resin. The housing is engineered for extra strength and impact resistance. The stainless steel operating rod has a  $1\frac{1}{8}$ " diameter tough plastic knob. The lever is supported

within the operating head by oil-impregnated bushings. The operating mechanism within the head is comprised of precision machined components carefully assembled and tested to assure a long, trouble-free service life.

The enclosure to which the head is fastened is a die-formed metal stamping. On NEMA 1 housings, two  $\frac{3}{4}$ " knockouts are supplied. The operating head is gasketed for sealing to the enclosure or customers panel on flush mounting switches.

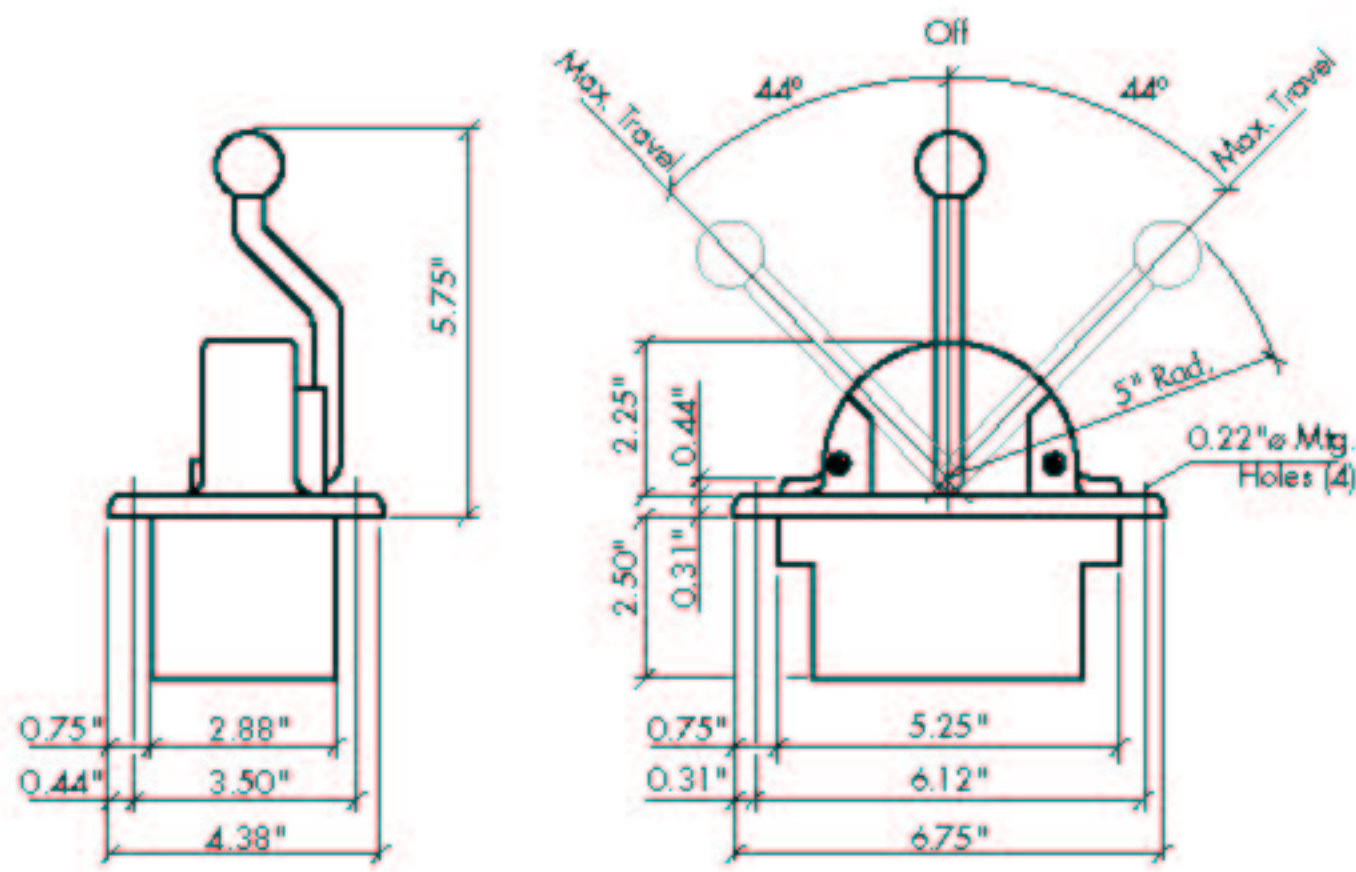
The cam-operated inserts are similar to those used with type PBC & WPBC pushbutton stations, with the following modifications: The operating plungers are glass-fibre reinforced plastic with a special lip overhang to interlock with the operating lever. Plungers are also equipped with location detents, corresponding to the cam development and speed points. This feature provides the operator with a "positive position feel."



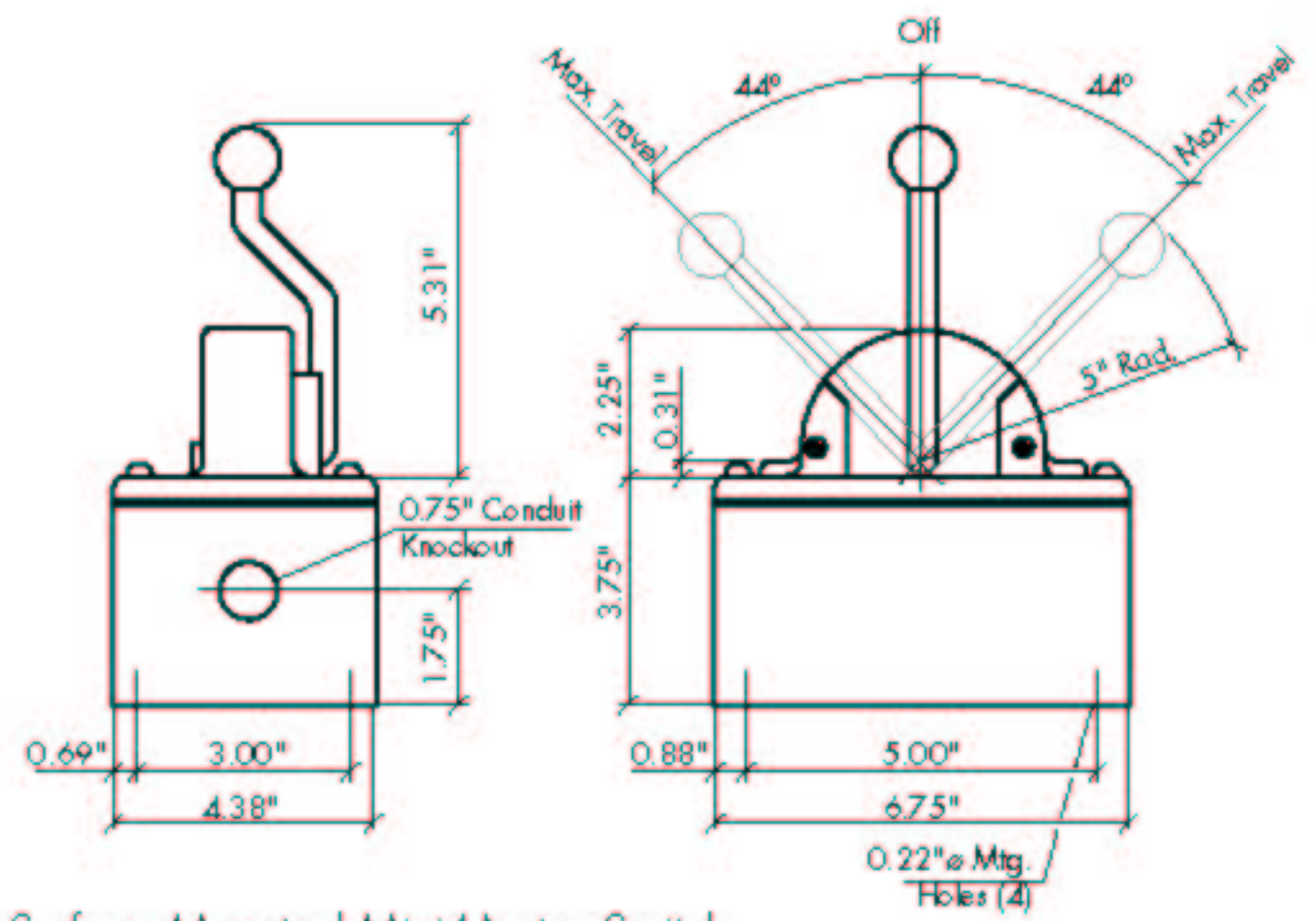
Stepless Mini-Master Switch

# Diagrams & Dimensions

4211



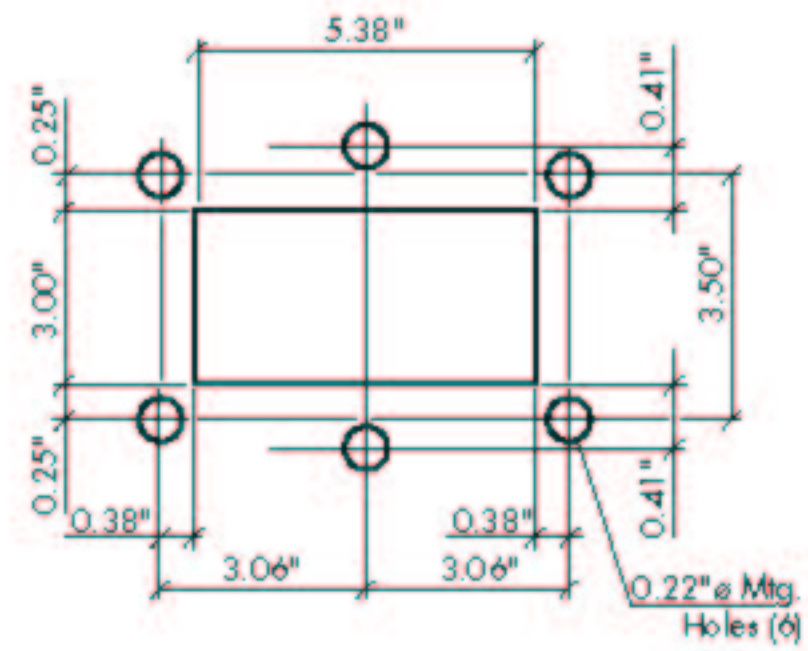
Flush Mounted Mini-Master Switch



Surface Mounted Mini-Master Switch

### Contact Ratings Single Break

<b>AC</b> NEMA B150	120V	3A
	240V	—
<b>DC</b> NEMA P300	125V	1.1A
	250V	0.55A



Cutout and Drilling for Flush Mounted Mini-Master Switch