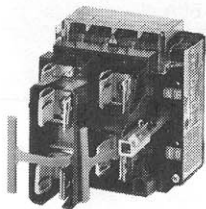


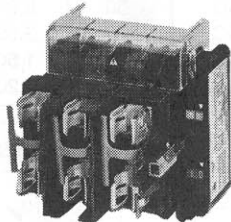
Features - Specifications

30 Amp



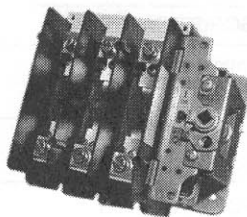
65018-1

60 Amp



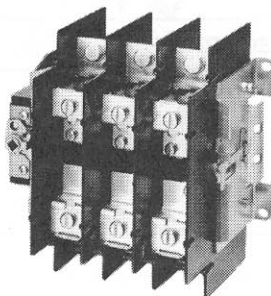
62235-1

100 Amp



62393-1

200 Amp



62414-1

- UL listed, CSA certified, ISO 9002.
- 600V AC & 250V DC.
- Accepts auxiliary contact blocks.
- 100kA withstand with class J & CC fuses.
- Offers Type 2 protection when proper fuses are selected.
- Meets service entrance requirements.
- Built-in fuse pullers, 30A, 60A.
- Double break contacts per pole provide fuse connector isolation when switch is open.
- International markings.
- Meets applicable standards of IEC, VDE & BS when supplied with proper fuse connectors.
- Door handle complies with OSHA lockout and tagout requirements.
- Door handle can be locked in the "off" position.
- Door handle interlocks with enclosure door to prevent unauthorized entry.
- Easy-to-operate handles.
- Line side terminal shield is standard, supplied with device.
- Two shaft lengths available, standard and extended.
- Positive switch status indicator.
- Optional load side terminal shield.
- Optional fuse cover.
- Power terminals: 30 amp – #14 to #8, 60 amp – #14 to #4.
- Auxiliary contact terminals: #14 to #12.
- Mechanical endurance 10,000 operations 30A, 60A & 100A. 8,000 operations on 200A.

PART NUMBER	CONT AMP	FUSE TYPE			MAX FUSE	FUSE OPER CHAR	RATINGS/MAXIMUM HORSEPOWER							
		UL CLASS	CSA				3 PHASE VAC				1 PH VAC		VDC	
							200	240	480	600	120	240	125	250
65017-1	30	CC	①HRCI-MISC	30	TD	5.0	5.0	10.0	10.0	0.75	2.0	2.0	3.0	
					NTD	5.0	5.0	10.0	10.0	0.75	2.0	2.0	3.0	
65018-1	30	J	HRCI-J	30	TD	7.5	7.5	15.0	20.0	2.0	3.0	3.0	5.0	
					NTD	3.0	3.0	5.0	7.5	0.5	1.5	2.0	5.0	
62288-1	30	②NON-FUSED	②NON-FUSED	②NON-FUSED	TD	7.5	7.5	15.0	20.0	2.0	3.0	3.0	5.0	
					NTD	3.0	3.0	5.0	7.5	0.5	1.5	2.0	5.0	
62235-1	60	J	HRCI-J	60	TD	15.0	15.0	30.0	50.0	3.0	10.0	5.0	10.0	
					NTD	7.5	7.5	15.0	15.0	1.5	3.0	5.0	5.0	
62236-1	60	②NON-FUSED	②NON-FUSED	②NON-FUSED	TD	15.0	15.0	30.0	50.0	3.0	10.0	5.0	10.0	
					NTD	7.5	7.5	15.0	15.0	1.5	3.0	5.0	5.0	
62393-1	100	J	HRCI-J	100	TD	30.0	30.0	60.0	75.0	-	15.0	-	20.0	
					NTD	15.0	15.0	25.0	30.0	-	7.5	-	20.0	
62413-1	100	②NON-FUSED	②NON-FUSED	②NON-FUSED	TD	30.0	30.0	60.0	75.0	-	15.0	-	20.0	
					NTD	15.0	15.0	25.0	30.0	-	7.5	-	20.0	
62414-1	200	J	HRCI-J	200	TD	60.0	60.0	125.0	150.0	-	25.0	-	40.0	
					NTD	25.0	25.0	50.0	60.0	-	15.0	-	40.0	
62415-1	200	②NON-FUSED	②NON-FUSED	②NON-FUSED	TD	60.0	60.0	125.0	150.0	-	25.0	-	40.0	
					NTD	25.0	25.0	50.0	60.0	-	15.0	-	40.0	

① CSA HRCI-MISC fuses must also be listed as UL class CC fuses.
 ② Non-fused disconnect switches include copper links. They must be used with separately installed UL listed class J or T fuses, or CSA certified HRCI-J, HCRI-T.

Specifications are subject to change without notice.



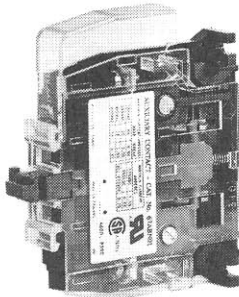
OPERATING SHAFTS



OPERATING SHAFT

PART NUMBER	SHAFT LENGTH	ENCLOSURE WORKING DEPTH		DESCRIPTION
		MINIMUM	MAXIMUM	
65004-1	6 ¹⁷ / ₃₂ "(166)	6"(152)	10 ¹⁵ / ₆₄ "(260)	Standard operating shaft for 30A & 60A disconnects
65005-1	14 ¹¹ / ₆₄ "(360)	6"(152)	17 ⁷ / ₈ "(454)	Extended operating shaft for 30A & 60A disconnects
62416-1	7 ⁷ / ₈ "(200)	6 ¹³ / ₁₆ "(173)	11 ²¹ / ₃₂ "(296)	Standard operating shaft for 100A & 200A disconnects
60793-3	12 ¹⁹ / ₃₂ "(319)	6 ¹³ / ₁₆ "(173)	16 ¹⁵ / ₆₄ "(430)	Extended operating shaft for 100A & 200A disconnects supplied with outrigger mounting supports. See back cover for details.

AUXILIARY CONTACTS

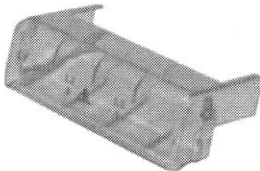


AUXILIARY CONTACT INCLUDES ONE TERMINAL SHIELD

PART NUMBER	TYPE		DESCRIPTION	MAXIMUM CURRENT, AMPERES		
	POSITION	CONFIGURATION			MAKE	BREAK
65006-3 65006-4	Inner Inner	1 Normally Open 1 Normally Closed	Single-pole auxiliary contact 30 & 60 Amp only	120V AC 240V AC 480V AC 600V AC	60 30 15 12	6.00 3.00 1.50 1.20
65007-2 65007-4	Outer Outer	1 Normally Open 1 Normally Closed	Single-pole auxiliary contact	MAXIMUM CURRENT, AMPERES		
65006-1 65006-2	Inner Inner	2 Normally Open 2 Normally Closed	Two-pole auxiliary contacts 30 & 60 Amp only			
65007-1 65007-3	Outer Outer	2 Normally Open 2 Normally Closed	Two-pole auxiliary contact			

An inner contact must be attached to the fused disconnect for 30 & 60 amp fused disconnects first. Outer contact can then be stacked to the inner one. The 100 & 200 amp disconnects use outer contacts only. Above 250V, adjacent contact blocks must be of the same phase or polarity.

AUXILIARY CONTACT TERMINAL SHIELDS



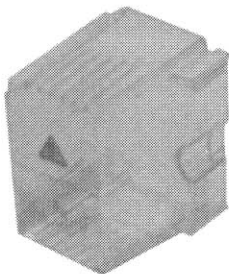
TERMINAL SHIELD

PART NUMBER	DESCRIPTION
65027-1	Auxiliary contact terminal shields (standard: 2 shields per package)

DISCONNECT SWITCH TERMINAL SHIELDS

PART NUMBER	TYPE	DESCRIPTION
65015-1	30A	Terminal shields for use on either line or load side of disconnect switch. Line side terminal shield is standard, supplied with device.
62248-1	60A	
62401-1	100A	
62377-1	200A	

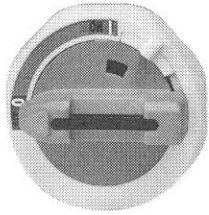
FUSE COVERS



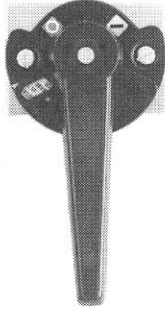
FUSE COVER

PART NUMBER	TYPE	DESCRIPTION
65008-1	30A Class CC and Non-Fused	Fuse covers
65009-1	30A Class J and 30A HRCI-J	
62285-1	60A Class J and Non-Fused	
62394-1	100A Class J and Non-Fused	
62376-1	200A Class J and Non-Fused	

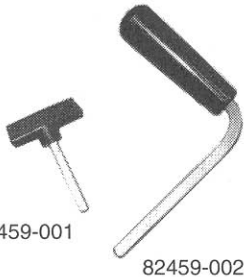
Specifications are subject to change without notice.



62339-4RY



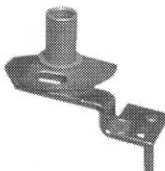
62417-10



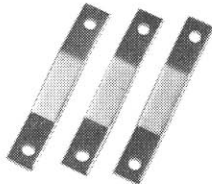
82459-001



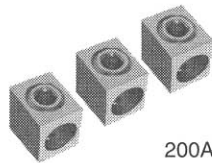
82459-002



60A PADLOCK



SHORTING LINKS



200A

MECHANICAL LUGS

DOOR OPERATING HANDLES

PART NUMBER	COLOR	DESCRIPTION	
62339-4 62339-4RY	Black Yellow/Red	30A & 60A, NEMA 4, 4X, rotary handle with defeat to enable panel entry while power on	
62417-1 62417-1RY	Black Yellow/Red	100 & 200 Amp pistol grip handle	NEMA 1, simple on/off
62417-10 62417-10RY	Black Yellow/Red		NEMA 12, 3R, on/off with lock-out tag-out

Note: Appropriate gasketing provided with the respective handles for rated NEMA protection.

INTERNAL OPERATING HANDLES

PART NUMBER	TYPE	DESCRIPTION
82459-001*	30A & 60A	Handle & Shaft Assembly
82459-002*	30A & 60A	Handle & Shaft Assembly

*When using the internal handles, the disconnect switch may be padlocked in the "off" position by using the padlock kit.

PADLOCK KIT

PART NUMBER	TYPE	DESCRIPTION
61936-3	30A	Disconnect switch shaft padlock kit
61936-2	60A	

SHORTING LINKS

PART NUMBER	TYPE	DESCRIPTION
65003-1 65035-1 62412-1 62421-1	30A 60A 100A 200A	Set of three shorting links for non-fused applications only

MECHANICAL LUGS

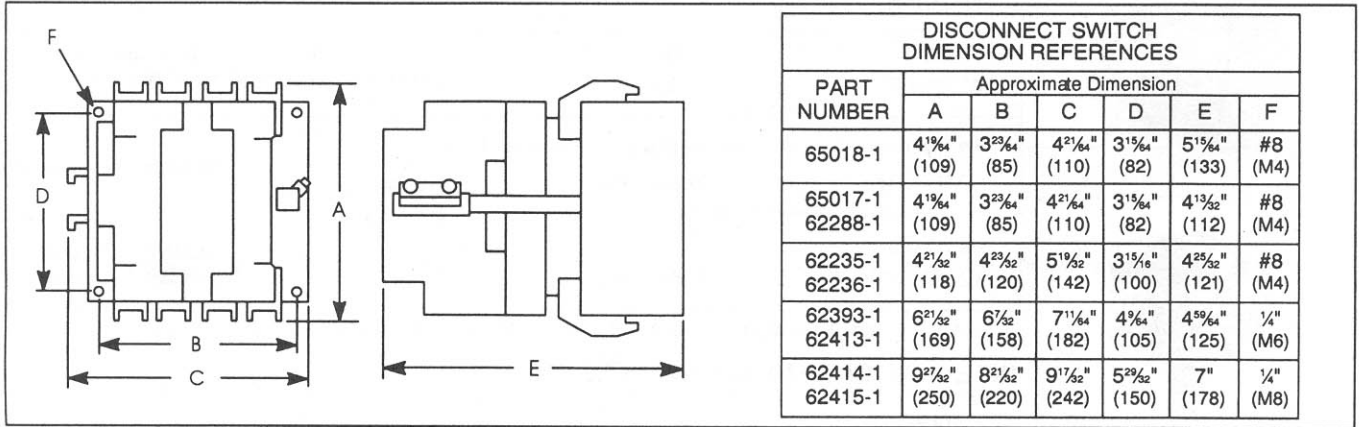
PART NUMBER	TYPE	DESCRIPTION
62475-1*	100A	1 mechanical connector, 75° C Temp. Rating Conductor Range #14 to #2 CU
62476-1*	200A	1 mechanical connector, 75° C Temp. Rating Conductor Range #6 to 250MCM

*3 Required Per Disconnect

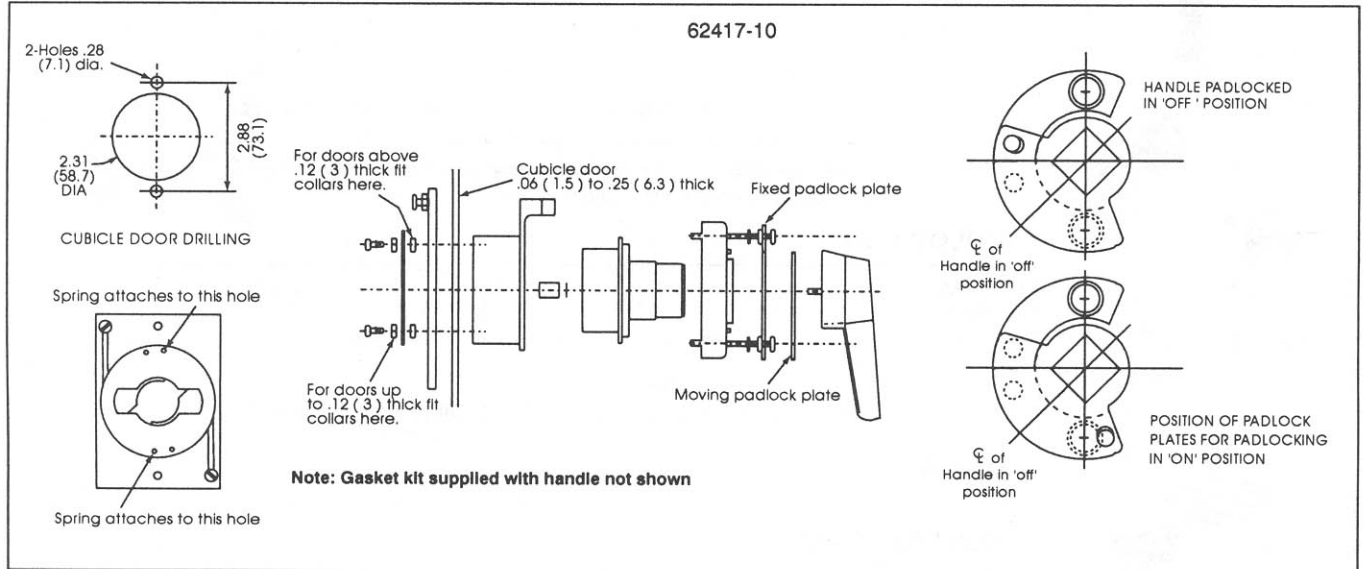
Specifications are subject to change without notice.

Hubbell | Disconnect Dimensions and Assemblies

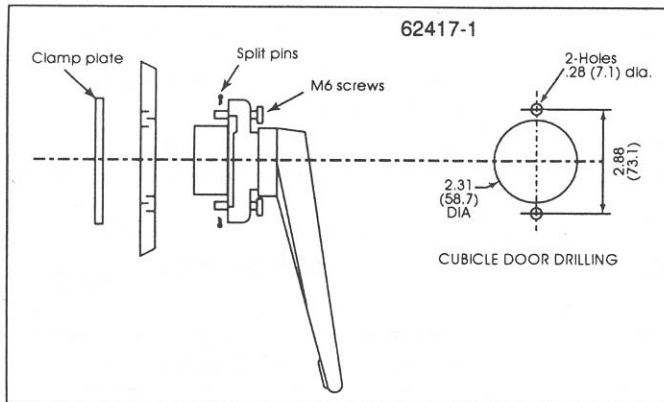
FUSED DISCONNECT SWITCHES PRODUCT DIMENSIONS – () Indicates mm dimensions



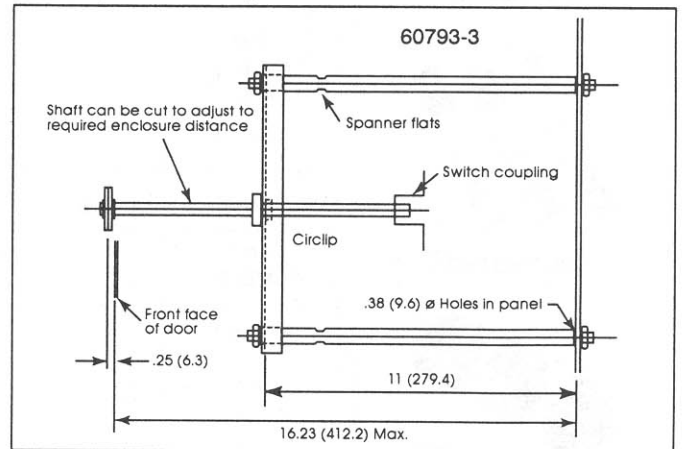
NEMA 3R RATED HANDLE WITH ASSEMBLY



NEMA 1 HANDLE



LONG (EXTENDED) SHAFT WITH SUPPORT BRKT.



Specifications are subject to change without notice.



Hubbell Industrial Controls, Inc.
 a subsidiary of Hubbell Incorporated
 4301 Cheyenne Dr., Archdale, NC 27263
 Telephone (336) 434-2800 • FAX (336) 434-2803
[Http://www.Hubbell-ICD.com](http://www.Hubbell-ICD.com)
Sales@Hubbell-ICD.com