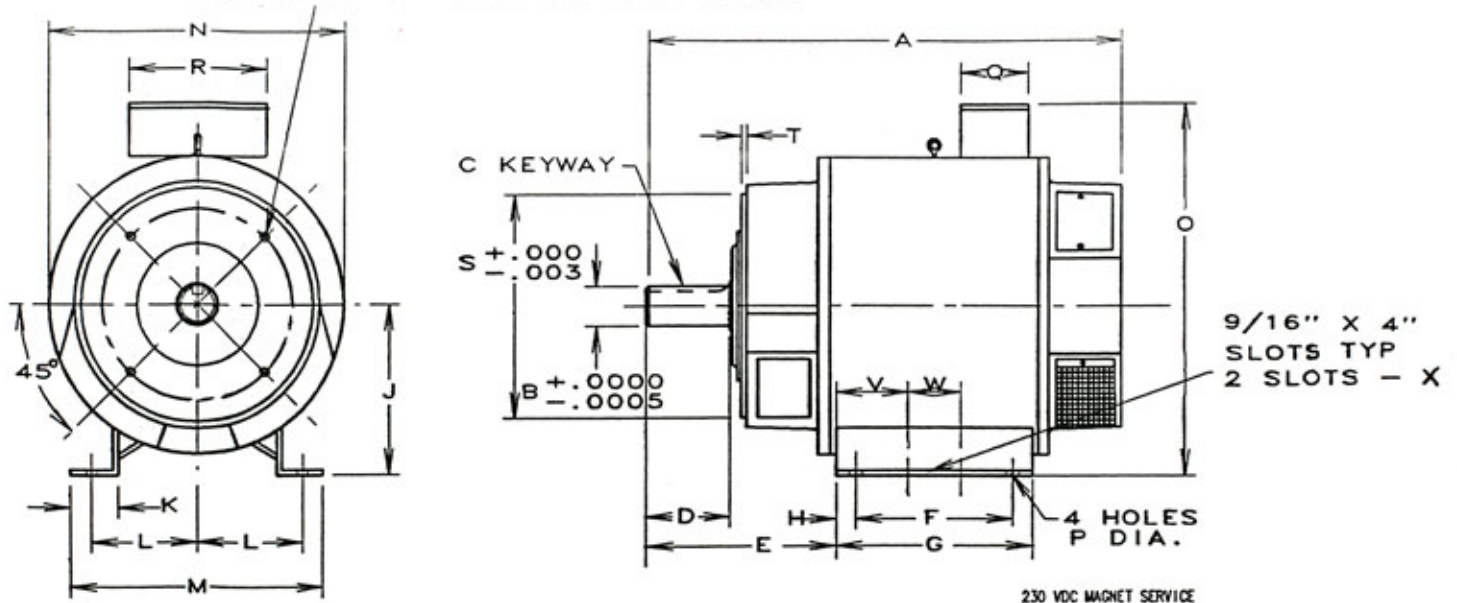


OHIO DUTY-CYCLE™ GENERATORS

5 to 33 KW, 230 VDC Models OPTH Designed for Hydraulic Motors

1/2-13 NC THD. — .75 DEEP
4 PLACES ON U" B.C. 90 DEG. APART

Belt or Hydraulic Motor Drive



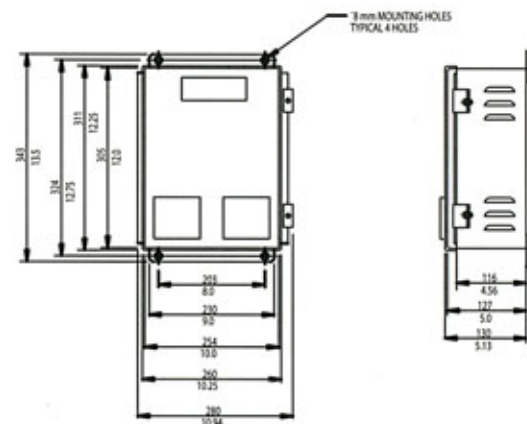
DIMENSIONS (INCHES)

Model	KW	rpm	A	B	C	D	E	F	G	H	J	K	L	M	N	O	P	Q	R	S	T	U	V	W	X	Approx. Weight/Lbs.
OPTH-5-25	5	2,500	16 1/2	1	1/4 x 1/8	2 1/4	N/A	7 1/16	N/A	N/A	6 19/32	N/A	3 5/8	8 1/4	10 3/4	16	17 1/32	4 1/4	4 1/4	10 1/2	1/4	9	OMIT	OMIT	OMIT	170
OPTH10-25	10	2,500	19 7/8	1 1/4	1/4 x 1/8	3 1/2	7 1/16	5 1/2	7	3/4	6 3/4	2	4 1/2	10 1/8	12	15 9/16	9/16	4 1/4	4 1/4	8 1/2	1/4	7 1/4	OMIT	OMIT	OMIT	175
OPTH15-18	15	1,800	24 3/8	1 5/8	3/8 x 3/16	4	8 13/16	4 1/2	10	3/4	8	2 1/2	5 1/2	12 3/4	14	18 3/16	9/16	4 1/4	4 1/4	10 1/2	1/4	9	3 1/4	3 1/2	SLOT	290
OPTH20-18	20	1,800	26 3/8	1 5/8	3/8 x 3/16	4	8 13/16	6	10	3/4	8	2 1/2	5 1/2	12 3/4	14	18 3/16	9/16	4 1/2	6 1/2	10 1/2	1/4	9	3 1/4	3 1/2	SLOT	345
OPTH25-18	25	1,800	28 3/8	1 7/8	1/2 x 1/4	4	8 13/16	6	10	3/4	8	2 1/2	5 1/2	12 3/4	14	18 3/16	9/16	4 1/2	6 1/2	10 1/2	1/4	9	3 1/4	3 1/2	SLOT	410
OPTH33-18	33	1,800	31 11/16	2	1/2 x 1/4	5	10 3/4	11	13	1	8 1/2	3	6 1/2	14 3/4	15 3/4	20 1/2	1 1/16	4 1/2	6 1/2	12 1/2	3/8	11*	3 1/4	3 1/2	SLOT	570

*5/8-11 NC THD.—.875" DEEP

Ammeter, Voltmeter, Slide Resistors in Separate Enclosure

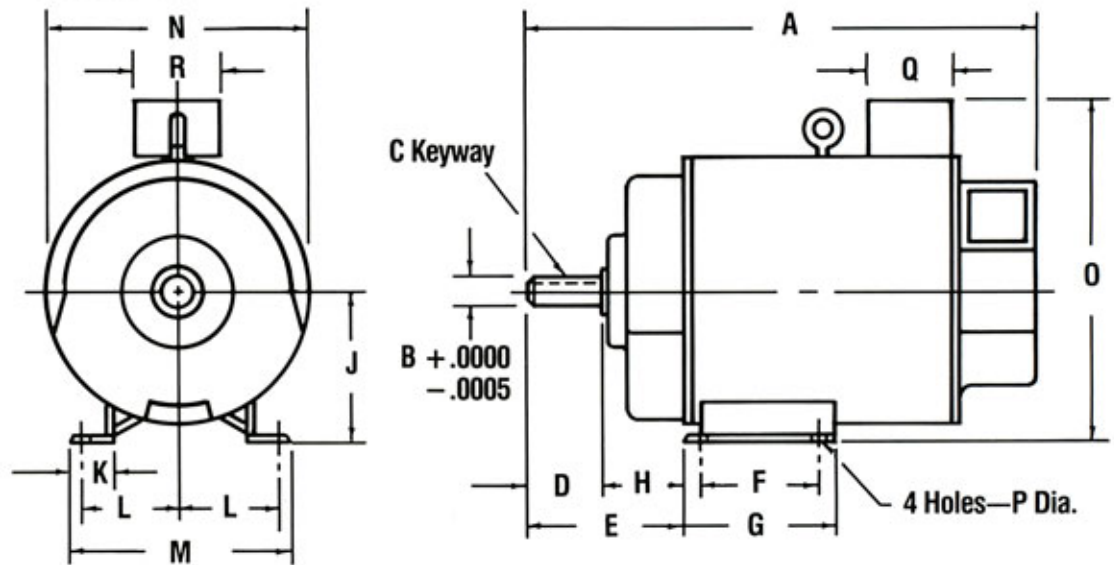
- Required for use with all Ohio Generators
- Hydraulic components available
(Contact factory for application information)



OHIO DUTY-CYCLE™ GENERATORS

5 to 33 KW, 230 VDC Models OPT Designed for Power Takeoff

Belt Motor Drive

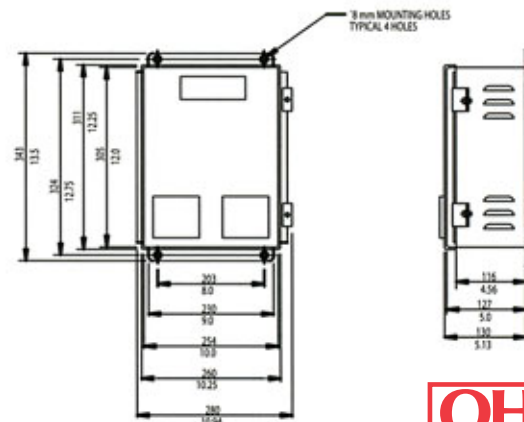


DIMENSIONS (INCHES)

Model	kW	rpm	A	B	C	D	E	F	G	H	J	K	L	M	N	O	P	Q	R	Approx. Weight/Lbs.
OPT5-25	5	2,500	16½	1	¼ x ⅛	3	2⅞	7⅞	8⅞	½	6⅞	—	3⅞	8¼	10¾	16	17/32	4¼	4¼	170
OPT10-25	10	2,500	19⅞	1¼	¼ x ⅛	3½	7⅞	5½	7	¾	6¾	2	4½	10⅞	12	15⅞	9/16	4¼	4¼	175
OPT15-18	15	1,800	24⅞	1⅝	⅜ x ⅜	4	8⅞	4½	6	¾	8	2½	5½	12¾	14	18⅞	9/16	4¼	4¼	290
OPT20-18	20	1,800	26⅞	1⅝	⅜ x ⅜	4	8⅞	6	7½	¾	8	2½	5½	12¾	14	18⅞	9/16	4½	6½	345
OPT25-18	25	1,800	28⅞	1⅞	½ x ¼	4	8⅞	6	7½	¾	8	2½	5½	12¾	14	18⅞	9/16	4½	6½	410
OPT33-18	33	1,800	31⅞	2	½ x ¼	5	10¾	11	13	1	8½	3	6½	14¾	15¾	20½	11/16	4½	6½	570

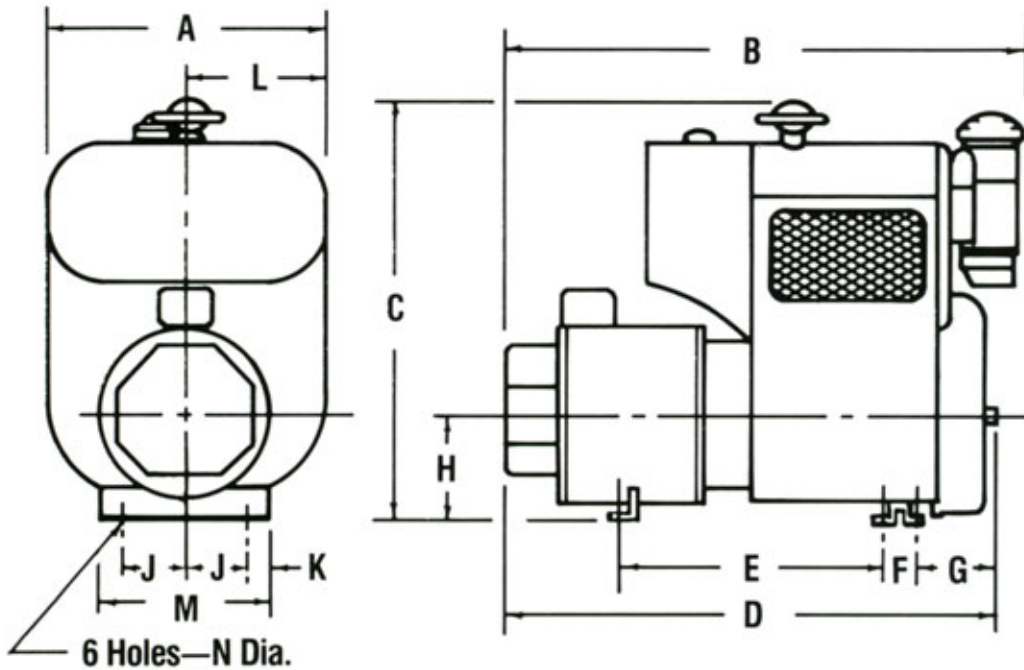
Ammeter, Voltmeter, Slide Resistors in Separate Enclosure

- Required for use with all Ohio Generators



OHIO DUTY-CYCLE™ GENERATORS

5, 15, and 20 KW 230 VDC Models Gasoline-Engine Driven



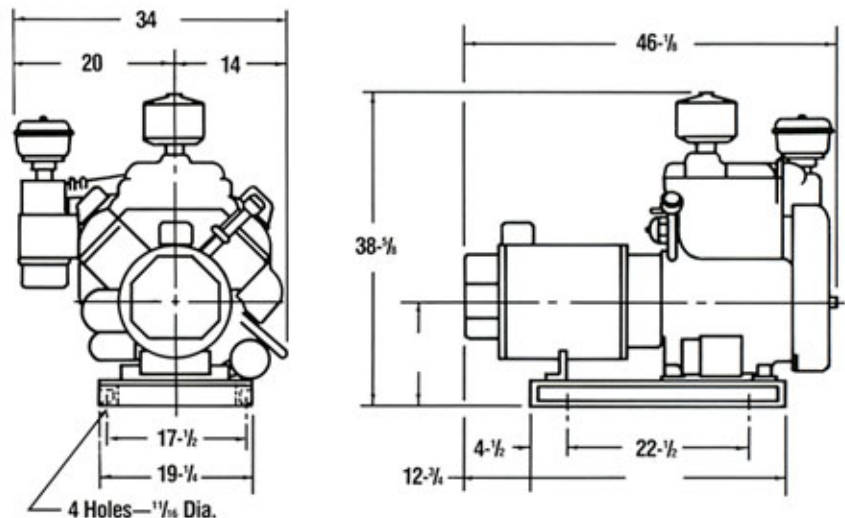
DIMENSIONS (INCHES)

Model	kW	rpm	A	B	C	D	E	F	G	H	J	K	L	M	N	Approx. Weight/Lbs.
OAG5-25	5	2,500	17 ¹⁵ / ₁₆	32 ³ / ₄	21 ¹ / ₂	—	19	—	—	10 ¹⁵ / ₁₆	6 ¹ / ₄	1 ⁵ / ₈	8 ³¹ / ₃₂	15 ³ / ₄	1 ³ / ₁₆	408
OAG15-18	15	1,800	24 ³ / ₄	46 ¹ / ₂	36 ³ / ₈	41 ⁷ / ₈	22 ¹¹ / ₁₆	3	6 ⁷ / ₈	9	5 ⁵ / ₁₆	2	12 ³ / ₈	1 ⁴ / ₁₆	1 ⁷ / ₃₂	720
OAG20-18	20	1,800	24 ³ / ₄	48 ¹ / ₄	36 ³ / ₈	43 ⁵ / ₈	22 ³ / ₄	3	6 ⁷ / ₈	9	6	2	12 ³ / ₈	16	2 ¹ / ₃₂	740

25 KW Model Gasoline-Engine Driven

- 230 VDC operation
- 1800 rpm generator
- Air-cooled, 4-cylinder gasoline engine

Model No. OAG25-18
Rheostat and Meter Package Required
for This Unit



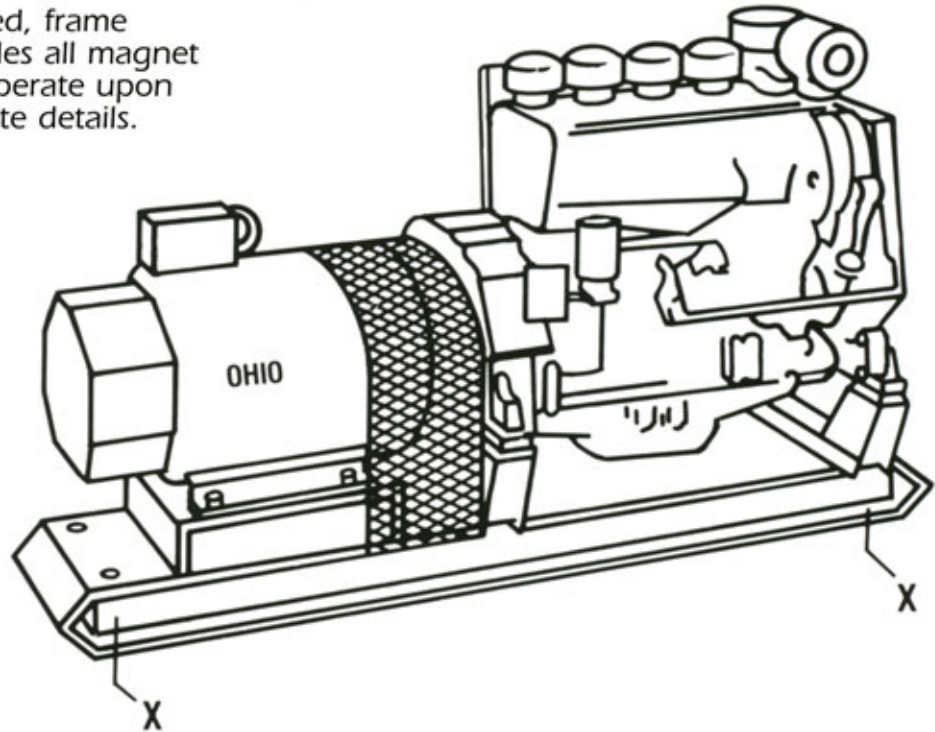
OHIO DUTY-CYCLE™ GENERATORS

5, 10, 15, 20, 25 and 33 KW Models Air-Cooled, Diesel Engine Driven

- 230 VDC

Now available in a self-contained, frame mounted package which includes all magnet controls. Ready to install and operate upon delivery. Call factory for complete details.

NEW!

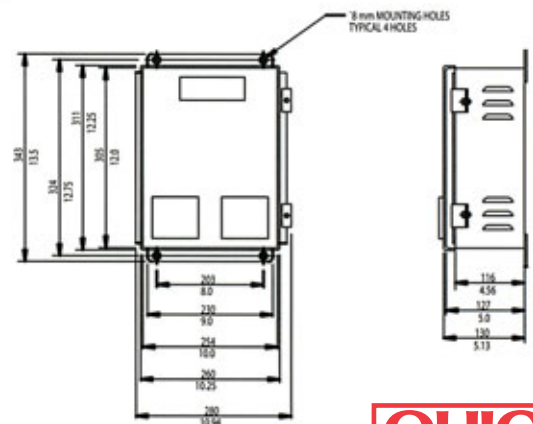


DIMENSIONS (INCHES)

Complete Assembly	Generator Model #	KW	rpm*	Width	Length	Height	Approx. Weight/ Lbs.	X Base Mfg. Holes 1/16 Dia.
OAD5-25	OPT-5	5	2,500	20.5	37.31	23	521	12 1/2 x 26 1/2
OAD10-25	OPT10-25	10	2,500	23.5	50.25	35	800	14 5/8 x 42
OAD15-18	OPT15-18	15	1,800	26.5	60	38.5	1,150	14 5/8 x 48 1/2
OAD20-18	OPT20-18	20	1,800	26.5	60	38.5	1,200	14 5/8 x 48 1/2
OAD25-18	OPT25-18	25	1,800	26.5	60	38.5	1,275	14 5/8 x 48 1/2
OAD33-18	OPT33-18	33	1,800	26.5	72	39	1,400	14 5/8 x 48 1/2

Ammeter, Voltmeter, Slide Resistors in Separate Enclosure

- Required for use with all Ohio Generators

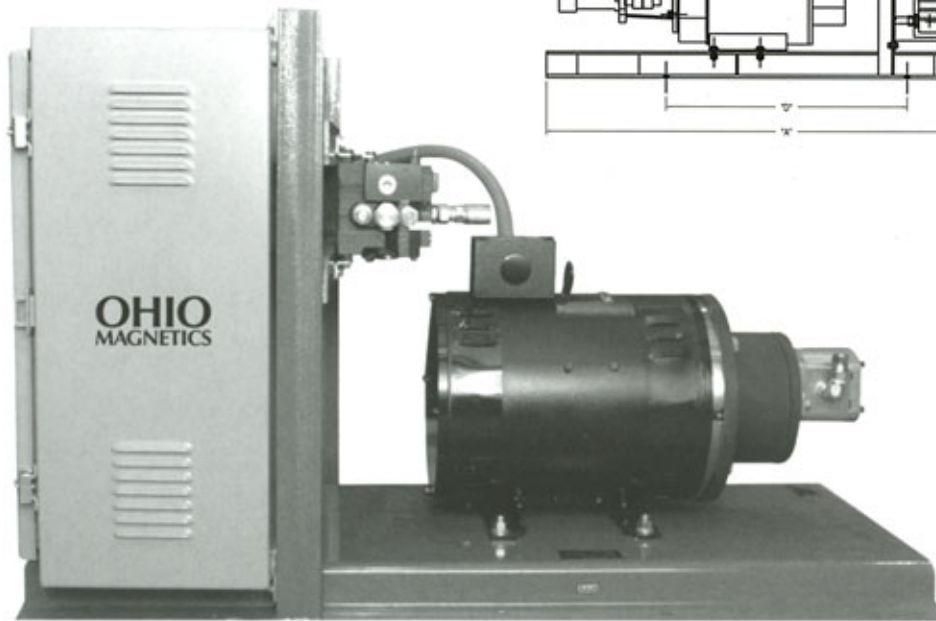
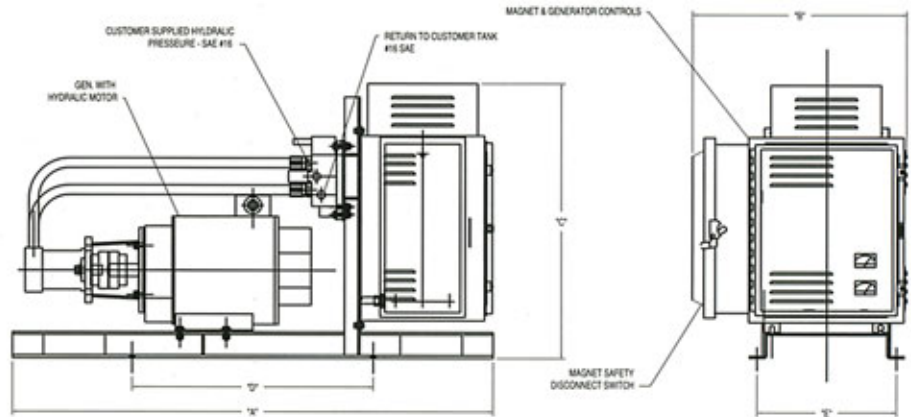


**OHIO
MAGNETICS**

OHIO SCRAP HANDLING MAGNETS AND AUXILIARY EQUIPMENT

OHIO HYDRA-MAG PACKAGE

- Available in sizes: 5-25KW
- Self-contained, frame mounted
- Operates on 12 or 24 VDC
- Includes all hydraulic controls – with integrated single manifold
- Includes magnet controls
- Ready to install and operate on delivery



TECHNICAL SPECIFICATIONS

Generator	A	B	C	D	E	F	Controller	Required Pressures and Flows From Pump
5 KW	43.00"	28.75"	28.75"	20.94"	18.00"	30 amp	CDS	5 KW 12 GPM @ 2368 PSI
10 KW	50.69"	24.50"	34.14"	31.00"	14.00"	60 amp	RD1W	10 KW 31 GPM @ 1338 PSI
15 KW	60.25"	27.62"	35.63"	29.25"	18.00"	100 amp	RD1W	15 KW 32 GPM @ 1803 PSI
20 KW	62.25"	27.62"	35.62"	31.25"	18.00"	100 amp	RD1W	20 KW 32 GPM @ 2304 PSI
25 KW	64.25"	27.62"	35.63"	33.25"	18.00"	200 amp	RD1W/RD2A	25 KW 32 GPM @ 2805 PSI