



On Delay Plug-In Timer



Specifications

Electrical

Input Voltage:

24 or 115VAC, ±10%, 50/60Hz.
24 or 125VDC ±10%, Filtered or Full Wave

Time Delays:

Type: Adjustable or Factory Fixed
Range: 50 Milliseconds to 24 Hours
Repeat Accuracy: ±0.2% of Time
Range or ±10 Milliseconds, Whichever is Greater.

Fixed Time Accuracy: ±5% Worst Case

Reset Times:

During Timing: 50 Milliseconds, Typ.
After Timing: 50 Milliseconds, Typ.

Protection:

Varistor and/or R-C Network

Power Consumption: 5VA

Output Relay:

10 Amps @ 120/240VAC
500,000 Full Load Electrical Cycles
50,000,000 Mechanical Cycles

U.L. & CSA Ratings:

5 Amps, 1/3 HP, 125VA @ 240VAC
5 Amps, 1/6 HP, 125VA @ 120VAC

Physical

Mounting: Plug-In

Termination:

8 or 11 Pin & Blade Base

Packaging: Dust Cover

Weight: 7 Oz.

Ambient Temperatures

Operating: -10°C to 65°C

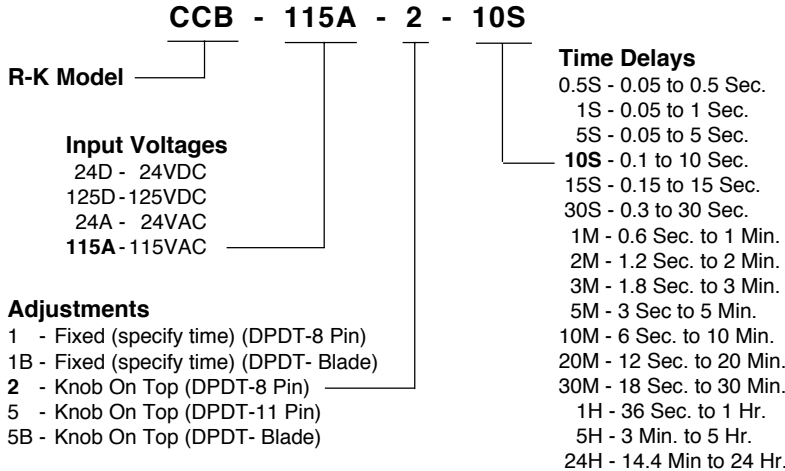
U.L. Operating: -10°C to 40°C

U.L. Storage: -10°C to 85°C



- Digital CMOS Design
- 10 Amp, DPDT
- ±0.2% Repeatability
- Transient Protected
- Timing Ranges Up To 24 Hours

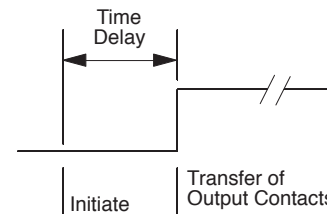
Ordering Information



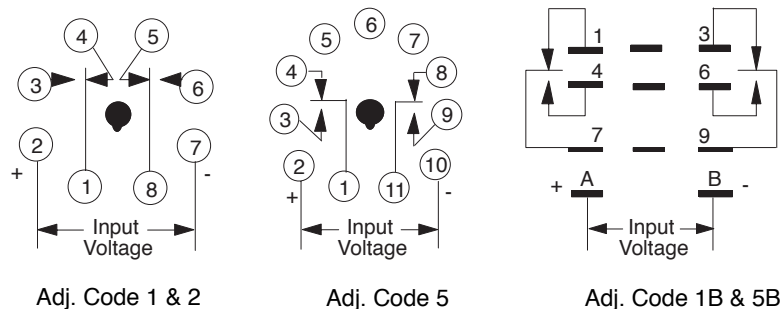
Operation

On Delay

When input voltage is applied to the CCB, the timing cycle begins. At the end of the timed period the internal relay is energized, transferring the output contacts. When input voltage is removed, the timing circuit is reset and the internal relay is de-energized.



Connections



Dimensions

