

# Signet 5075 Totalizing Flow Monitor

Member of the ProPoint® Family of Monitors



Analog and Digital Display

## Description

The Signet 5075 Totalizing Flow Monitor features a traditional analog dial for flow rate at a glance while the backlit LCD provides precision flow rate, total volume and programming information.

Significant features of this 5075 include user selectable analog dials, permanent and resettable totalizers and pulse

outputs at sensor frequency and at totalizer scale. The 5075 is powered by virtually any 12 to 24 VDC or VAC  $\pm 10\%$ , regulated power source.

Connect to any of Signet's flow sensors for a classic flow meter system.

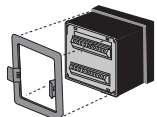

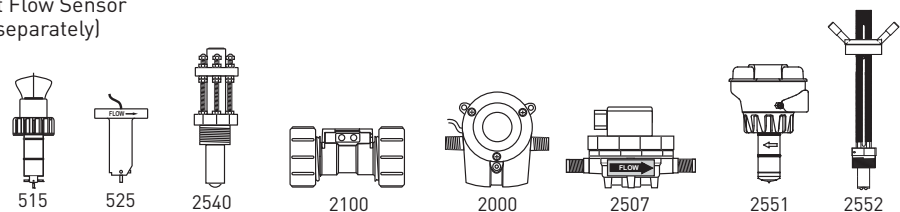
## Features

- Permanent and resettable totalizers
- Tamper proof security code
- Non-volatile memory
- Simple push-button operation
- Pulse outputs at sensor frequency and at total volume
- 1/4 DIN, NEMA 4X/IP65
- Remote totalizer reset

## Applications

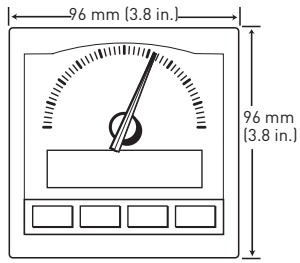
- Waste Water Flow Accumulation
- Water Treatment Systems
- Filtration Systems
- Feed Pump Pulsing
- Fertigation
- Irrigation
- Commercial Pools & Spas
- Groundwater Remediation
- HVAC
- Process Flow Monitoring
- UPW Distribution
- Demineralizer Regeneration
- Process Cooling Water
- Neutralization Systems

## System Overview

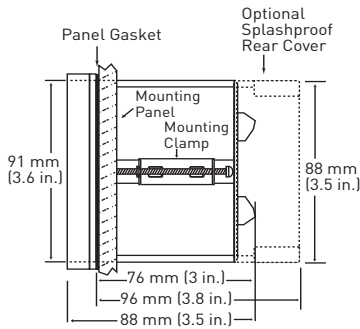
<p><b>Panel Mount</b> Signet 5075 Flow Instrument includes mounting bracket and panel gasket</p> 	
<p>Signet Flow Sensor (sold separately)</p> 	
<p>Signet Fittings or end connectors as required (sold separately)</p> <p style="text-align: right;">See individual sensor catalog pages for required sensor mounting accessories.</p>	



## Dimensions



Front View



Side View

### Model 5075

#### Ordering Notes

- 1) Panel cutout should be 92 x 92 mm (3.62 x 3.62 in.)
- 2) Reversible dials are included and are scaled from 0 to 2, 0 to 4, 0 to 6, 0 to 8, 0 to 10, and 0 to 100.
- 3) Optional splash proof rear cover can be ordered separately.
- 4) Flow rate unit tags are provided for labeling dials appropriately in units of gpm, lpm, etc.

Please refer to **Wiring, Installation, and Accessories** sections for more information.

## Specifications

### General

Operating Range: 0.5 Hz to 10 kHz  
Accuracy:  $\pm 0.5\%$  of reading

### Display:

- Analog:  
Six slide-in dial ranges - 0 to 2, 4, 6, 8, 10 & 100 w/multipliers
- Digital:  
Backlit LCD, 2x16 alphanumeric character

### Additional Functions:

Sensor pulse output, volumetric pulse output, Remote totalizer reset

### Materials

- Enclosure: ABS Plastic
- Keypad: Silicone Rubber
- Panel and case gasket: Neoprene
- Window: Hard-coated polycarbonate

### Electrical

#### Power Requirements:

12 to 24 VAC or VDC  $\pm 10\%$ , regulated recommended, 50 to 60 Hz, 10W max.

### Environmental

Operating Temperature:  
-10 °C to 55 °C (14 °F to 131 °F)

### Relative Humidity:

0 to 95%, non-condensing

Enclosure: NEMA 4X/IP65 front

**Shipping Weight** 0.8 kg 1.8 lb

### Standards and Approvals

- UL, CE, CUL
- Manufactured under ISO 9001 for Quality and ISO 14001 for Environmental Management

## Ordering Information

Mfr. Part No.	Code	Description
3-5075	<b>198 825 007</b>	5075 Totalizing Flow Monitor

## Accessories and Replacement Parts

Mfr. Part No.	Code	Description
<b>Mounting</b>		
3-5000.395	<b>198 840 227</b>	Splashproof rear cover kit
3-5000.598	<b>198 840 225</b>	Surface mount bracket (panel mount only)
3-0000.596	<b>159 000 641</b>	Heavy duty wall mount bracket (panel mount only)
3-5000.399	<b>198 840 224</b>	5 x 5 inch adapter plate to retrofit older Signet installations
<b>Liquid Tight Connectors</b>		
3-9000.392	<b>159 000 368</b>	Liquid tight connector kit (includes 3 connectors)
3-9000.392-1	<b>159 000 839</b>	Liquid tight connector kit, NPT (1 connector)
3-9000.392-2	<b>159 000 841</b>	Liquid tight connector kit, PG 13.5 (1 connector)
<b>Replacement Parts</b>		
3-5000.390	<b>159 000 323</b>	Installation kit (ProPoint® screws, clamps, mounting brackets)
3-5000.525-1	<b>198 840 226</b>	Bezel, 5000 series
3-5500.390	<b>159 000 347</b>	Dial kit
3-5500.611	<b>159 000 348</b>	Unit tags
3-5000.397	<b>159 000 326</b>	5000 series window (window, keypad, & screw)
<b>Other</b>		
3-5000.398	<b>159 000 646</b>	Protective overlay kit (10 pcs.)
3-5000.075	<b>159 000 321</b>	110V/24 VAC transformer
6400-9001	<b>159 001 466</b>	Intrinsic safety barrier (2 required)

### Rev A (3/09)

© Georg Fischer Signet LLC

3401 Aerojet Avenue, El Monte, CA 91731-2882 U.S.A. • Tel. (626) 571-2770 • Fax (626) 573-2057 • www.gfsignet.com • e-mail: signet.ps@georgfischer.com  
Specifications subject to change without notice. All rights reserved. All corporate names and trademarks stated herein are the property of their respective companies.