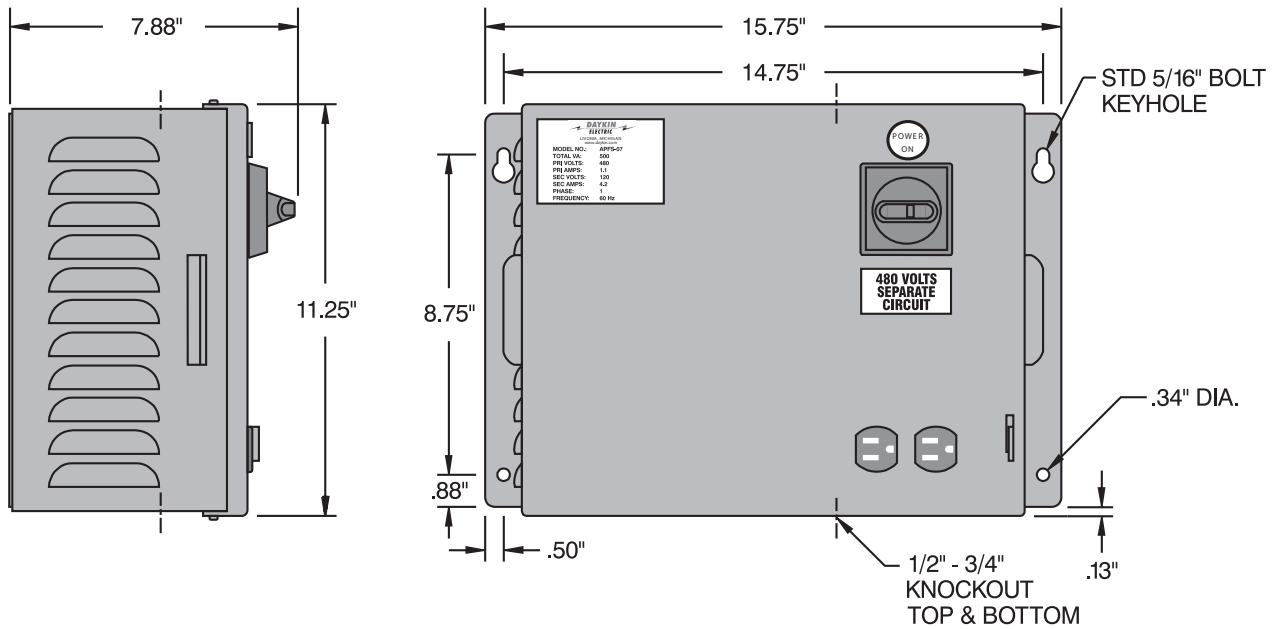
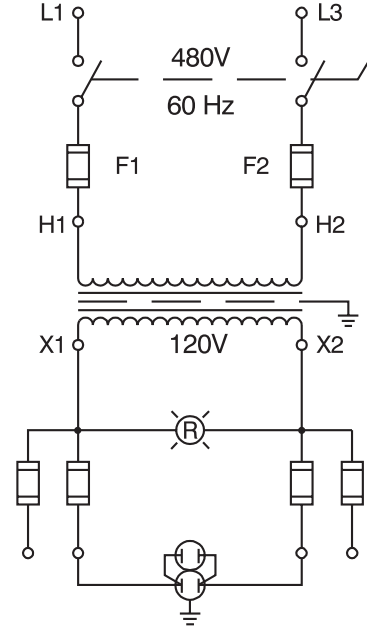


The Daykin APFS Series is a NEMA 1 enclosed transformer disconnect with an electrostatically shielded transformer. The transformer shield helps protect programmable controllers, microprocessors and computers against line noise and transient voltages.

### Features

- Transformer size from 500 VA through 3000 VA
- Power-on pilot light
- CLASS CC primary fuses and fuseholders provided
- Secondary fuseholders only - suitable for  $1\frac{3}{32}$ " x  $1\frac{1}{2}$ " fuses
- 15 Amp duplex receptacle provided in all units
- Switch can be locked in the off position with up to three (3) padlocks
- Other options available, including label



Transformer VA Rating	Model	Primary Fuses F1 and F2	Maximum Secondary Current (Amps)	Approximate Weight (LBS)
500	APFS - 07	FNQR 3	4.20	42
750	APFS - 13	FNQR 5	6.30	43
1000	APFS - 05	FNQR 5	8.30	43
1500	APFS - 03	FNQR 8	12.50	54
2000	APFS - 01	FNQR 12	16.70	58
3000	APFS - 15	FNQR 15	25.00	58



# TRANSFORMER DISCONNECT

## CVFS SERIES

TRANSFORMER DISCONNECT - NEMA 1

The Daykin CVFS Series combines a constant voltage transformer with a transformer disconnect to save space and installation labor. It is used to power programmable controllers or other voltage sensitive equipment. A separate unregulated winding provides a convenient source for 120 VAC and panel lighting.

### Specifications

Input: 408-552 Volts, 480 Volts nominal, single phase 60 Hz

Output: Regulated 120V  $\pm$ 3% for an input range of 480V  $\pm$ 15%

Unregulated 120V auxiliary

### Features

- CLASS CC primary fuseholder and fuses
- Secondary circuit breakers
- Power-on pilot light
- 15 Amp duplex receptacle with cover
- Switch can be locked in the off position with up to three (3) padlocks
- Four (4) mounting configurations

Separate Auxiliary VA	Constant Voltage VA	Model	Approx. Wt. (LBS.)	
500	500	CVFS* - 0707	120	
750	750	CVFS* - 1313	132	
1000	500	CVFS* - 0507	132	
500	1000	CVFS* - 0705	132	
750	1000	CVFS* - 1305	134	
1000	1000	CVFS* - 0505	165	
500	2000	CVFS* - 0701	176	
750	2000	CVFS* - 1301	186	
1000	2000	CVFS* - 0501	177	
1000	3000	CVFS* - 0515	197	
1500	2000	CVFS* - 0301	200	
2000	2000	CVFS* - 0101	210	
3000	2000	CVFS* - 1501	215	

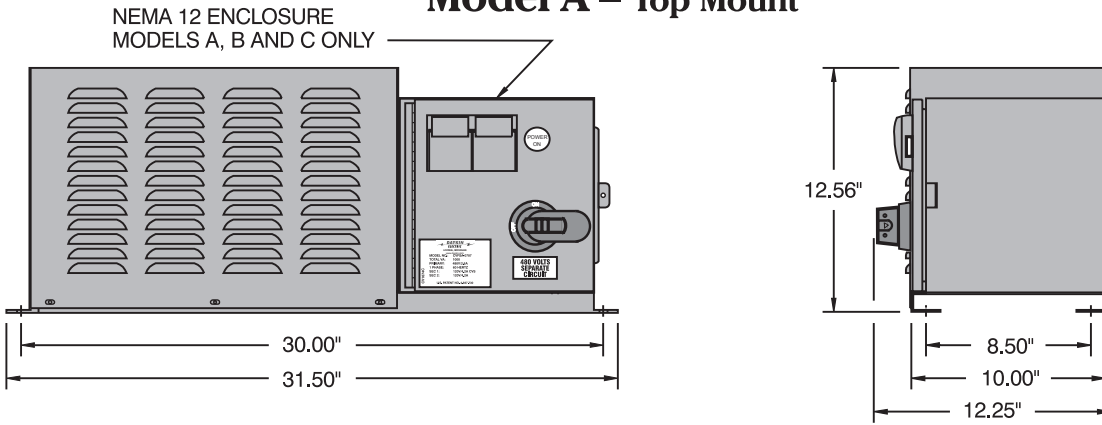
\* Select mounting configuration letter when ordering. Refer to next page.

A — Top Mount  
B — Side Mount

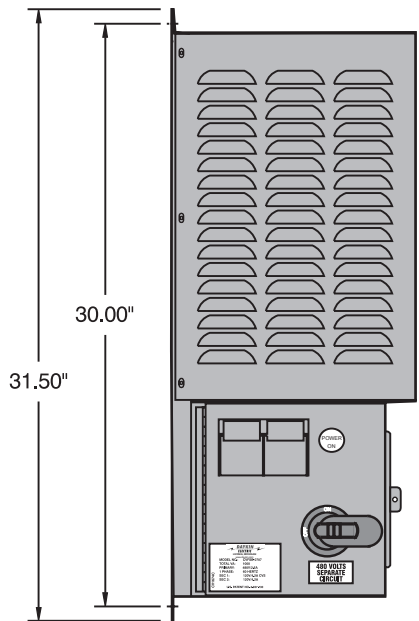
C — Front Mount  
D — Modular Mount

U.S. PATENT No. 4,937,730

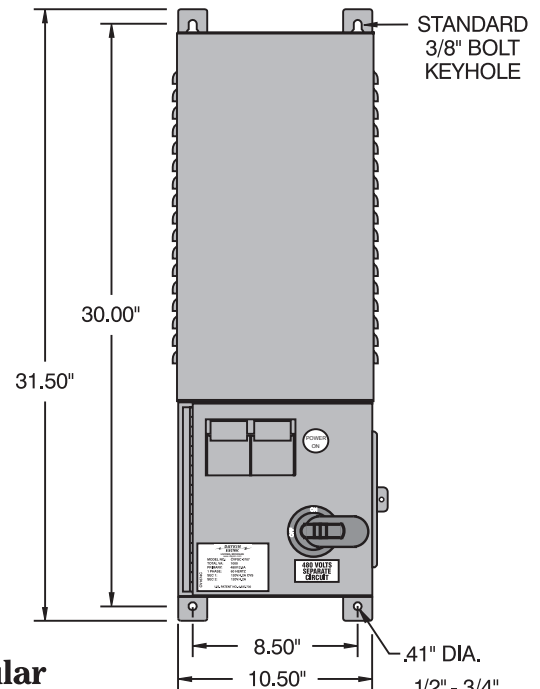
**Model A – Top Mount**



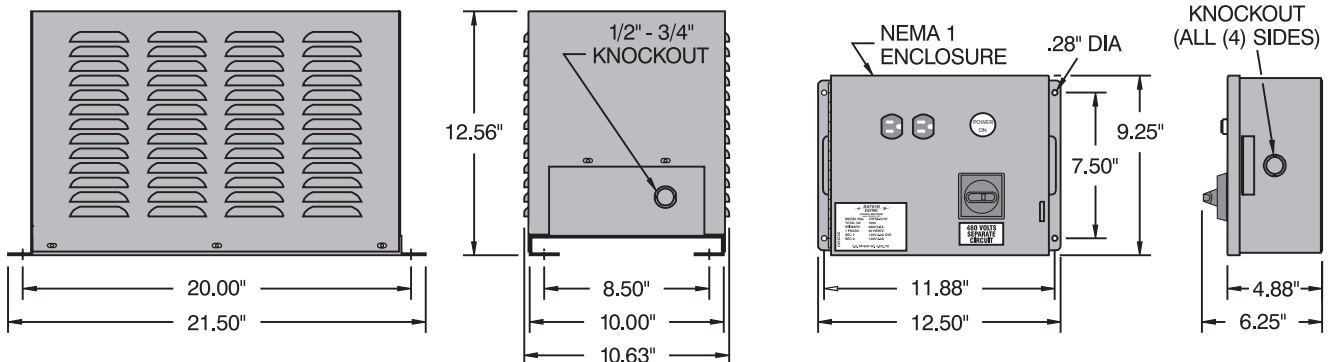
**Model B – Side Mount**



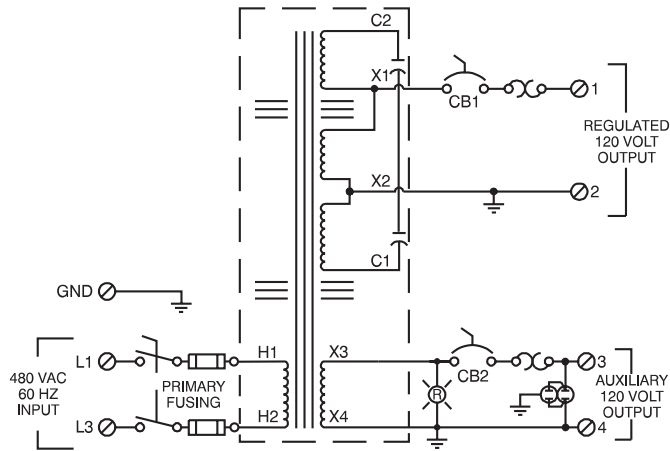
**Model C – Front Mount**



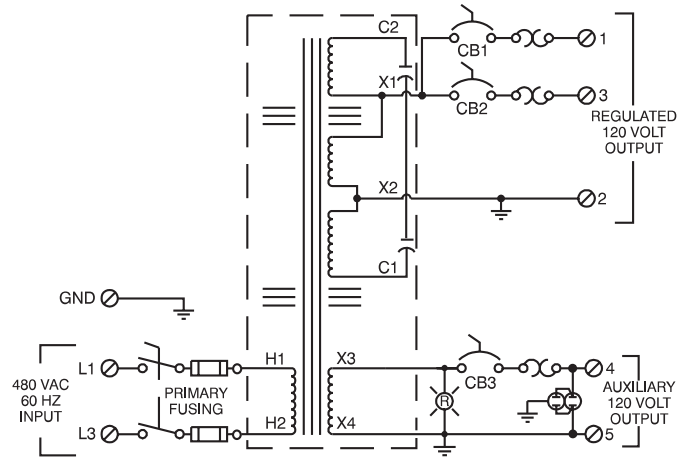
**Model D – Modular**



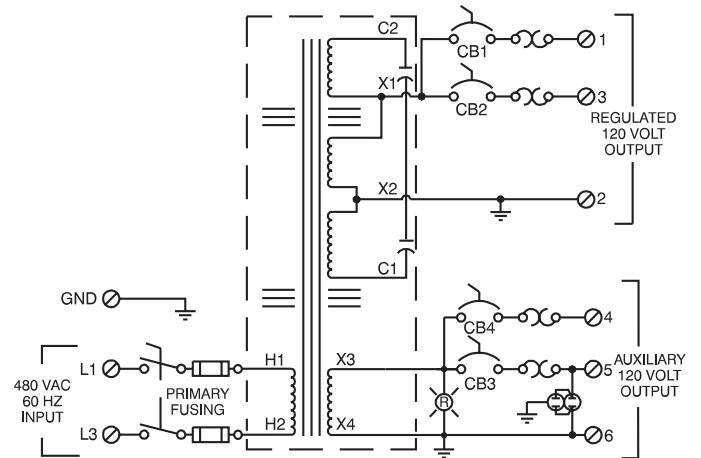
### Schematic 1



### Schematic 2



### Schematic 3



Model CVFS	Schematic Diagram	Output Circuit Breaker Amperage				Primary Fusing
		CB1	CB2	CB3	CB4	
CVFS* - 0707	1	4	4	—	—	FNQR 8
CVFS* - 1313	1	6	6	—	—	FNQR 10
CVFS* - 0507	1	4	10	—	—	FNQR 10
CVFS* - 0705	1	10	4	—	—	FNQR 10
CVFS* - 1305	1	10	6	—	—	FNQR 15
CVFS* - 0505	1	10	10	—	—	FNQR 15
CVFS* - 0701	2	10	10	4	—	FNQR 15
CVFS* - 1301	2	10	10	6	—	FNQR 20
CVFS* - 0501	2	10	10	10	—	FNQR 20
CVFS* - 0515	2	16	10	10	—	FNQR 25
CVFS* - 0301	2	10	10	16	—	FNQR 25
CVFS* - 0101	3	10	10	10	10	FNQR 25
CVFS* - 1501	3	10	10	16	10	FNQR 30

\* Select mounting configuration letter when ordering. Refer to prior page.

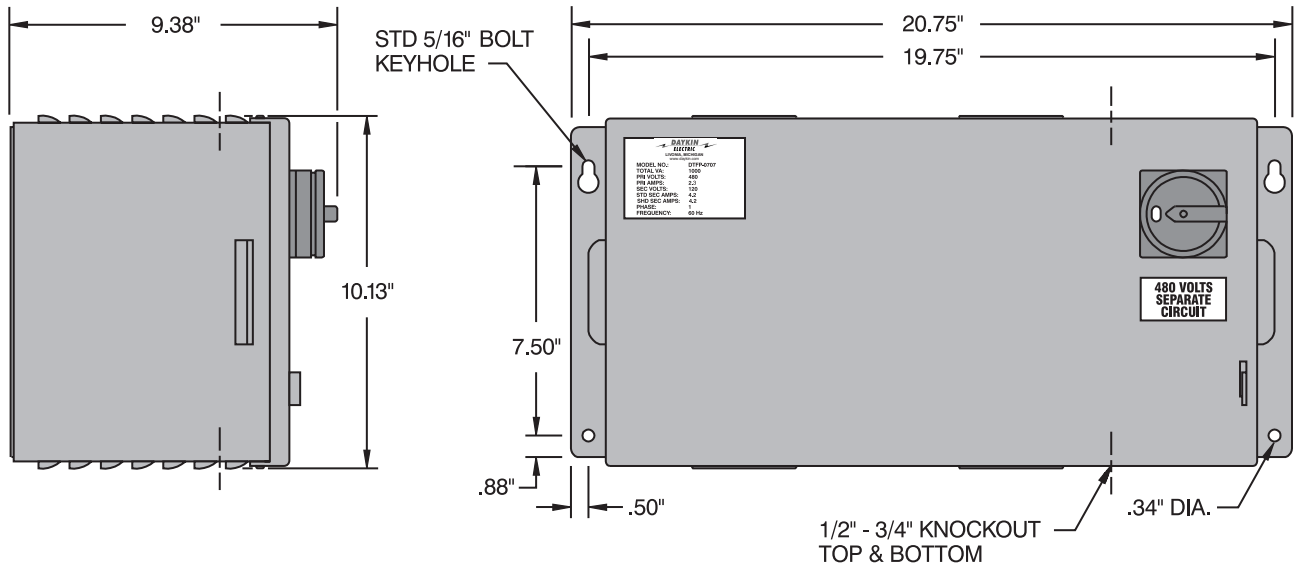
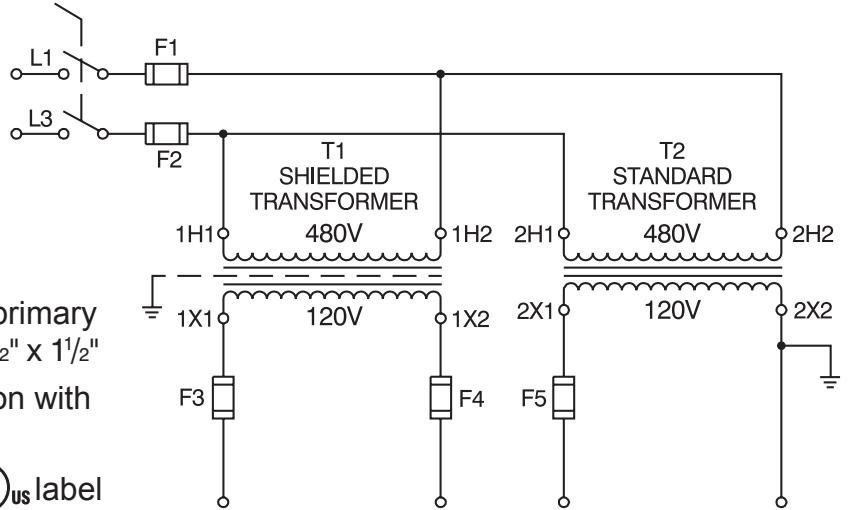
**Note:** Model D □ shipped in two separate enclosures, requires customer to interconnect.

Dashed area indicates transformer and capacitor section.

The Daykin DTFP Series is a NEMA1 enclosed transformer disconnect that features a machine tool transformer and an electrostatically shielded transformer in one compact unit.

### Features

- Wide range of transformers available
- All overcurrent protection provided - primary fuses CLASS CC secondary fuses  $1\frac{3}{32}$ " x  $1\frac{1}{2}$ "
- Switch can be locked in the off position with up to three (3) padlocks
- Other options available, including cULus label



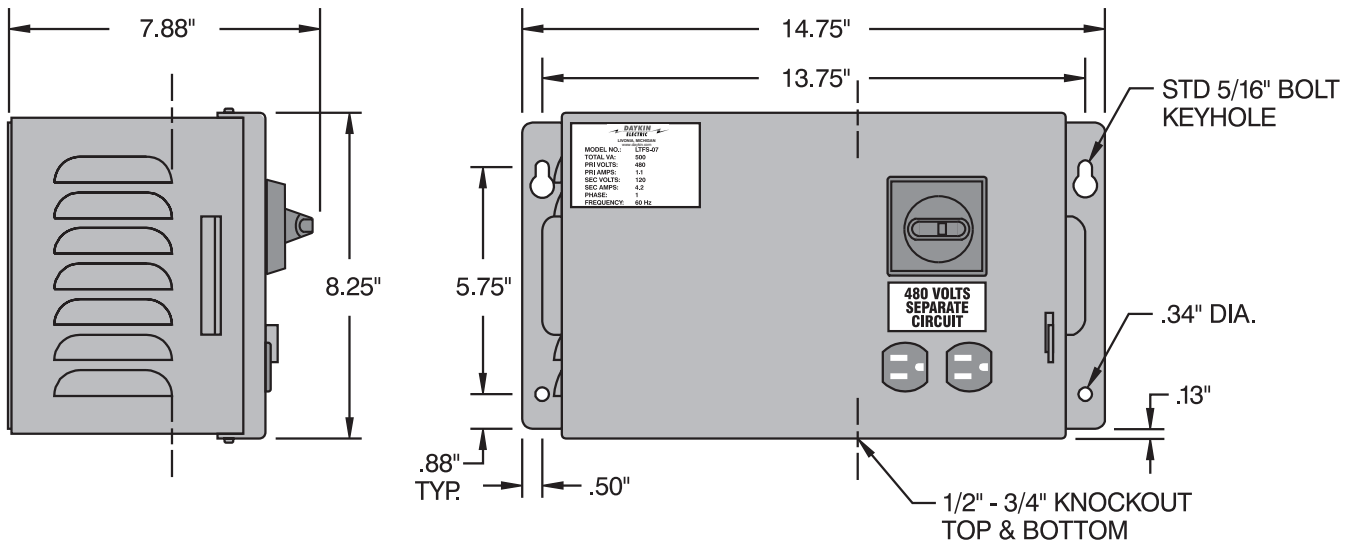
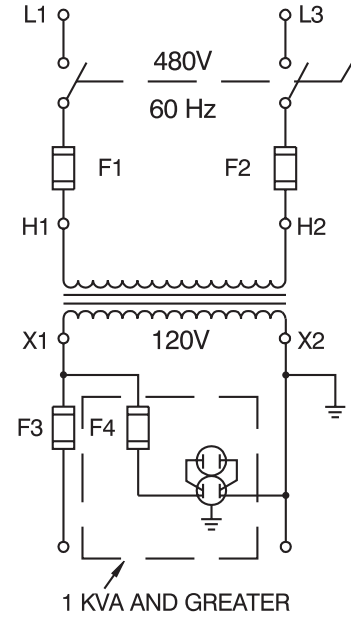
Standard Transformer VA	Shielded Transformer VA	Model	Primary Fuses F1 and F2	Secondary Fuses		Approx. Weight (LBS)
				F3 & F4	F5	
500	500	DTFP - 0707	FNQR 5	FNM 4	FNM 4	53
1000	500	DTFP - 0507	FNQR 8	FNM 4	FNM 8	58
750	750	DTFP - 1313	FNQR 8	FNM 7	FNM 7	62
500	1000	DTFP - 0705	FNQR 8	FNM 8	FNM 4	62
750	1000	DTFP - 1305	FNQR 10	FNM 8	FNM 7	63
1000	1000	DTFP - 0505	FNQR 12	FNM 8	FNM 8	66
750	2000	DTFP - 1301	FNQR 15	FNM 15	FNM 7	78
1000	2000	DTFP - 0501	FNQR 15	FNM 15	FNM 8	79
750	3000	DTFP - 1315	FNQR 20	FNQ 25	FNM 7	85
1000	3000	DTFP - 0515	FNQR 25	FNQ 25	FNM 8	87

TRANSFORMER DISCONNECT - NEMA 1

The Daykin LTFS Series offers a wide selection of transformer VA ratings in one compact NEMA 1 enclosure. Primarily used to power interior panel lighting.

### Features

- Transformer size from 250 VA through 3000 VA
- All overcurrent protection provided - primary fuses CLASS CC, secondary fuses  $1\frac{3}{32}$ " x  $1\frac{1}{2}$ "
- Units 1000 VA and above includes a 15 Amp duplex receptacle
- Switch can be locked in the off position with up to three (3) padlocks
- Other options available, including label

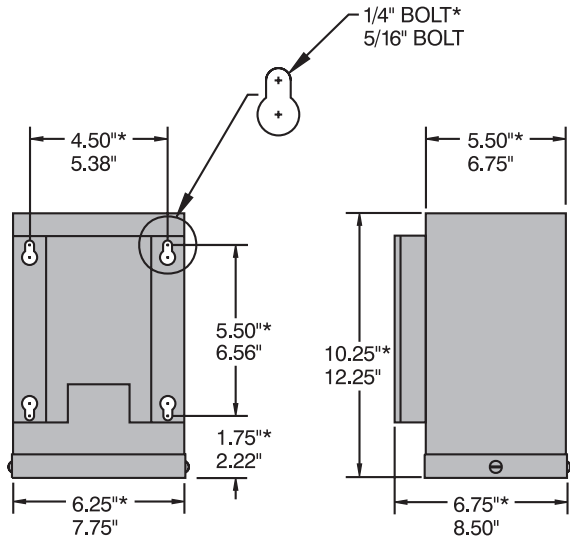
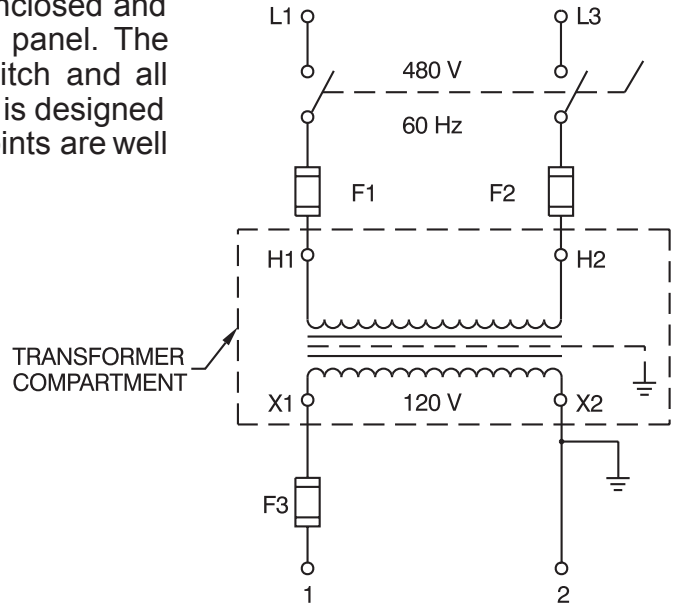


Transformer VA Rating	Model	Primary Fuses F1 and F2	Secondary Fuses		Approx. Weight (LBS)
			F3	F4	
250	LTFS - 09	FNQR 2	FNM 2	—	26
500	LTFS - 07	FNQR 3	FNM 5	—	29
750	LTFS - 13	FNQR 5	FNM 7	—	33
1000	LTFS - 05	FNQR 5	FNM 2	FNM 7	35
1500	LTFS - 03	FNQR 8	FNM 5	FNM 8	42
2000	LTFS - 01	FNQR 12	FNM 10	FNM 8	51
3000	LTFS - 15	FNQR 15	FNM 10	FNM 15	55

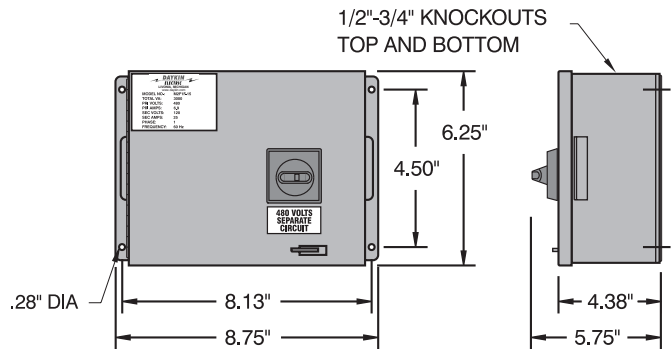
The Daykin M2F1F Series is modular in construction. This transformer disconnect is a two component system. The transformer compartment is epoxy encapsulated, enclosed and designed to mount on the outside of the control panel. The disconnect compartment accommodates the switch and all overcurrent protection. This NEMA 1 compartment is designed to mount inside the control panel. All termination points are well identified for easy interconnection.

### Features

- Transformer size from 1000 VA through 3000 VA
- All overcurrent protection provided - primary fuses CLASS CC, secondary fuse  $1\frac{3}{32}$ " x  $1\frac{1}{2}$ "
- Switch can be locked in off position with up to three (3) padlocks
- Many options available - contact the factory



**Transformer Compartment**

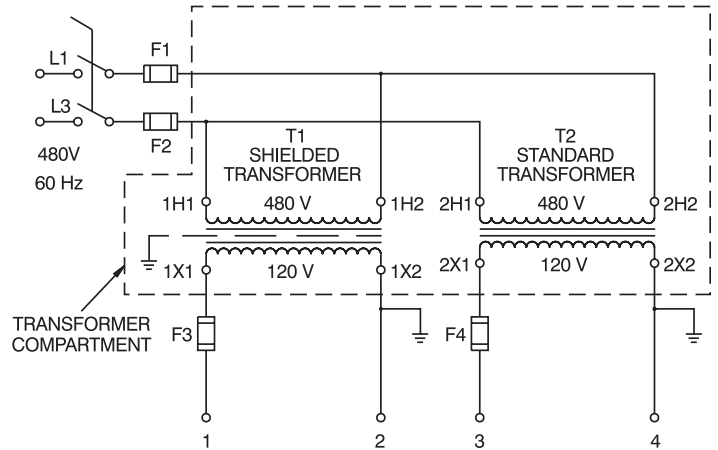


**Disconnect Compartment**

**\*Note:** Dimensions suffixed with asterisk are for 1000 VA transformer only.

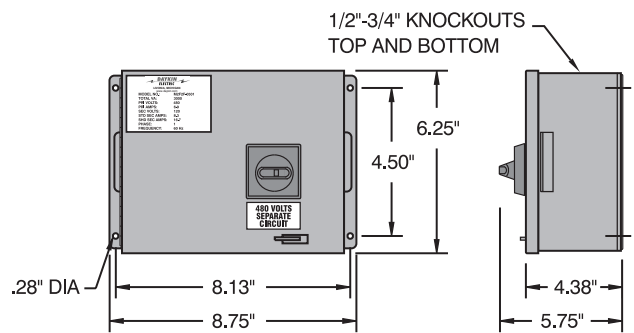
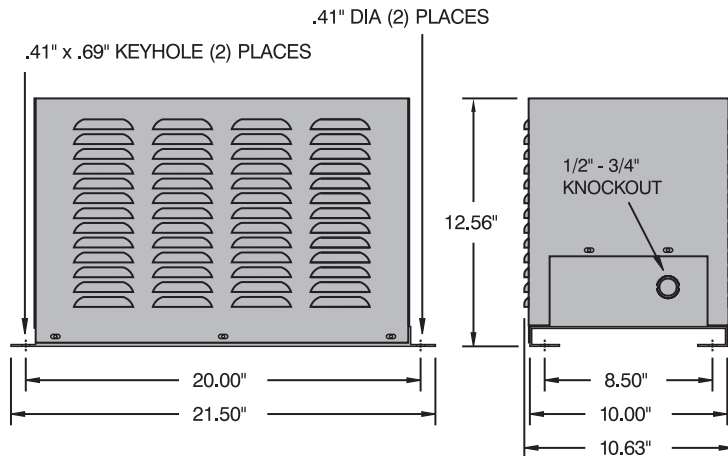
Transformer VA Rating	Model	Primary Fuses F1 and F2	Secondary Fuse F3	Approximate Weight (LBS)
*1000	M2F1F - 05	FNQR 5	FNM 8	39
1500	M2F1F - 03	FNQR 8	FNM 12	59
2000	M2F1F - 01	FNQR 12	FNM 15	78
3000	M2F1F - 15	FNQR 15	FNQ 25	91

The Daykin M2F2F Series is modular in construction. This transformer disconnect is a two compartment system. Two transformers are mounted in a ventilated housing designed to mount on the outside of the control panel. The disconnect compartment accommodates the switch and all overcurrent protection. This NEMA 1 compartment is designed to mount inside the control panel. All termination points are well identified for easy interconnection.



### Features

- Wide range of transformer sizes available
- All overcurrent protection provided - primary fuses CLASS CC, secondary fuses  $1\frac{3}{32}$ " x  $1\frac{1}{2}$ "
- Switch can be locked in off position with up to three (3) padlocks
- Many options available - contact the factory

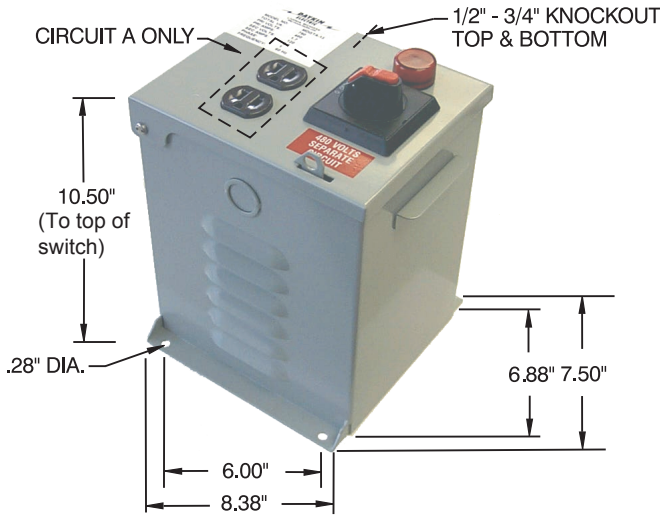


### Transformer Compartment

### Disconnect Compartment

Standard Trans VA	Shielded Trans VA	Model	Primary Fuses F1 and F2	Secondary Fuses F3	Secondary Fuses F4	Approximate Weight (LBS)
1000	1000	M2F2F-0505	FNQR 12	FNM 8	FNM 8	74
750	2000	M2F2F-1301	FNQR 15	FNM 20	FNM 6	82
1000	2000	M2F2F-0501	FNQR 15	FNM 20	FNM 10	85
750	3000	M2F2F-1315	FNQR 20	FNM 25	FNM 6	89
2000	2000	M2F2F-0101	FNQR 25	FNM 20	FNM 20	91
2000	1000	M2F2F-0105	FNQR 15	FNM 10	FNM 20	85
1000	3000	M2F2F-0515	FNQR 25	FNQ 25	FNM 10	91



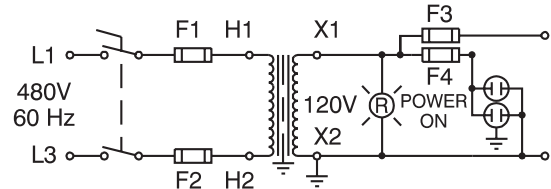


The Daykin MDGT Series is a NEMA 1 enclosed transformer disconnect with a small footprint for use where backplate space is at a premium.

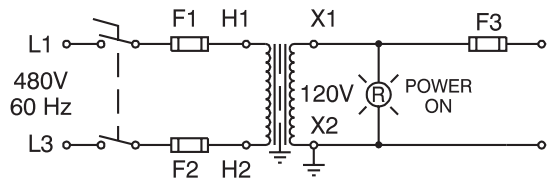
### Features

- Transformer size from 250 VA through 1000 VA
- Transformer electrostatically shielded
- Power-on pilot light
- CLASS CC primary fuses provided
- Secondary fuseholders only - suitable for 1<sup>3</sup>/<sub>32</sub>" x 1<sup>1</sup>/<sub>2</sub>" fuses
- Switch can be locked in off position with up to three (3) padlocks
- Three (3) standard circuit options
- Other options available, including label

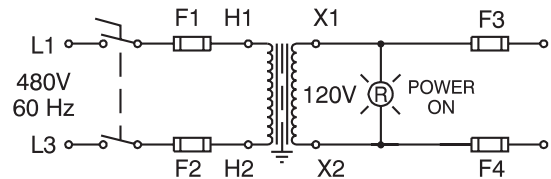
\*Circuit A – Grounded Secondary With Duplex Receptacle For Lighting



\*Circuit B – Grounded Secondary Less Duplex Receptacle



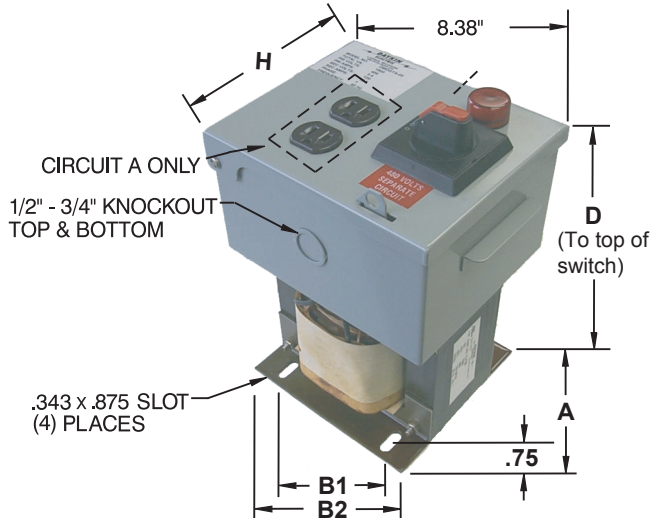
\*Circuit C – Ungrounded Secondary For Programmable Controllers



\* Select circuit letter when ordering.

Transformer VA Rating	Model	Primary Fuses F1 and F2	Maximum Secondary Current (Amps)	Approximate Weight (LBS)	
250	MDGT* - 09	FNQR 2	2.10	23	
500	MDGT* - 07	FNQR 3	4.20	24	
750	MDGT* - 13	FNQR 5	6.30	28	
1000	MDGT* - 05	FNQR 5	8.30	29	

TRANSFORMER DISCONNECT - NEMA 1

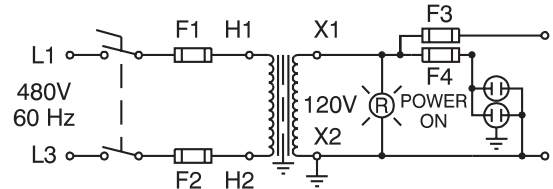


The Daykin OMDGT Series offers a NEMA 1 enclosed disconnect with a choice of three (3) large open transformers. This series provides larger VA's while still maintaining the smallest possible footprint.

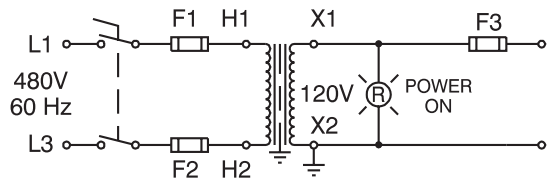
### Features

- Transformer size from 1500 VA through 3000 VA
- Transformer electrostatically shielded
- Power-on pilot light
- CLASS CC primary fuses provided
- Secondary fuseholders only - suitable for  $1\frac{3}{32}$ " x  $1\frac{1}{2}$ " fuses
- Switch can be locked in off position with up to three (3) padlocks
- Three (3) standard circuit options
- Other options available, including label

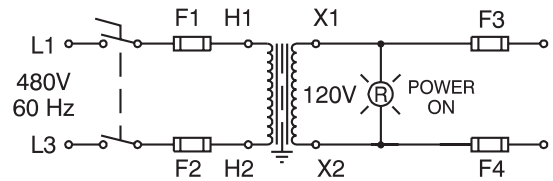
\*Circuit A – Grounded Secondary With Duplex Receptacle For Lighting



\*Circuit B – Grounded Secondary Less Duplex Receptacle



\*Circuit C – Ungrounded Secondary For Programmable Controllers



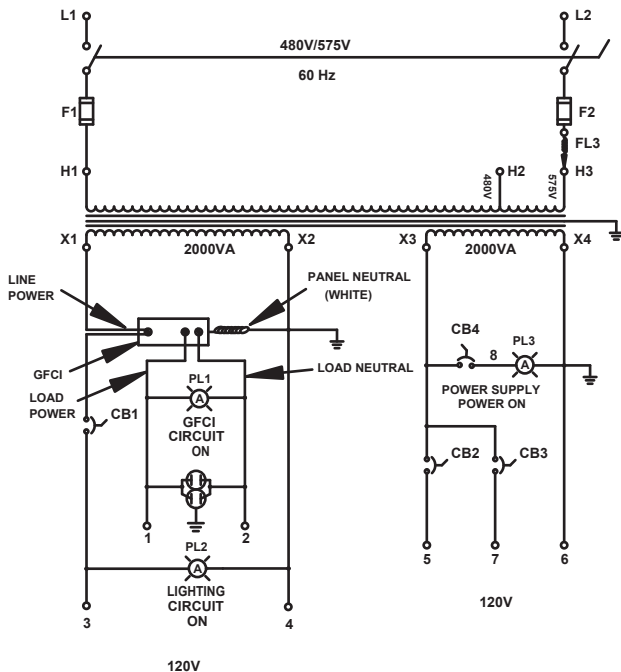
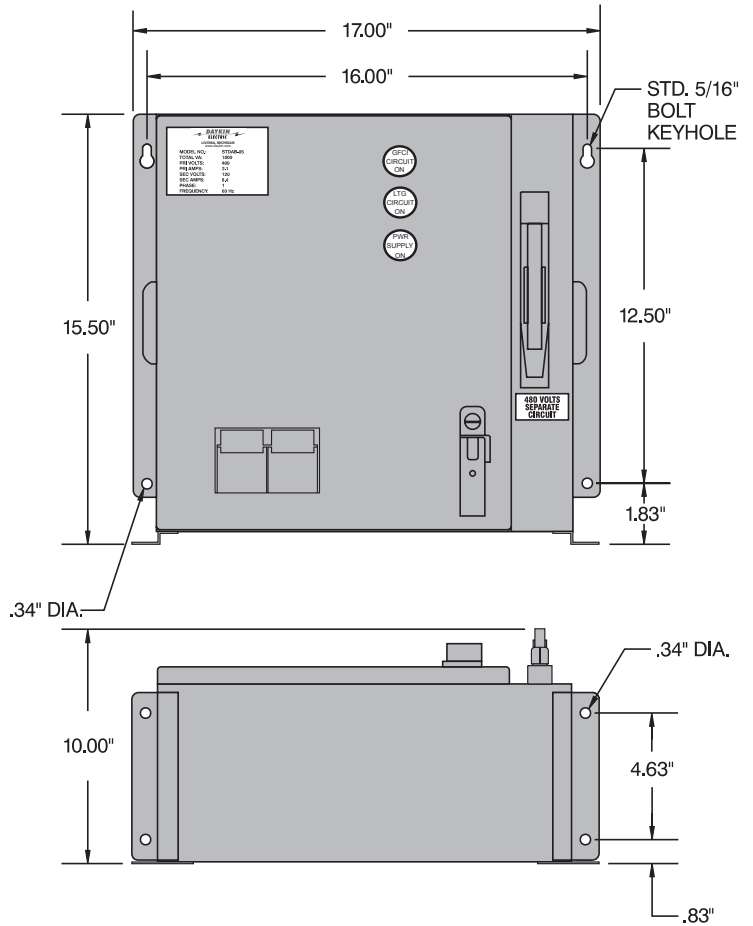
\* Select circuit letter when ordering.

Transformer VA Rating	Model	Primary Fuses F1 and F2	Maximum Secondary Amps	Dimensions					Approx. Weight (LBS)
				H	D	A	B1	B2	
1500	OMDGT* - 03	FNQR 8	12.50	6.25	11.00	6.19	5.25	6.38	38
2000	OMDGT* - 01	FNQR 12	16.60	6.25	11.00	6.25	5.25	6.38	39
3000	OMDGT* - 15	FNQR 15	25.00	7.13	12.00	6.38	5.50	7.50	55

The Daykin GMF Series is a NEMA 12 enclosed transformer disconnect with a flange mounted disconnect switch. This enclosure has provisions for base or side mounting.

### Features

- Power-on pilot lights
- All overcurrent protection provided primary fuses class CC secondary circuit breakers
- Lockable flange mounted disconnect switch
- All enclosure seams are continuously welded
- Continuous hinged door with gasketing
- listed

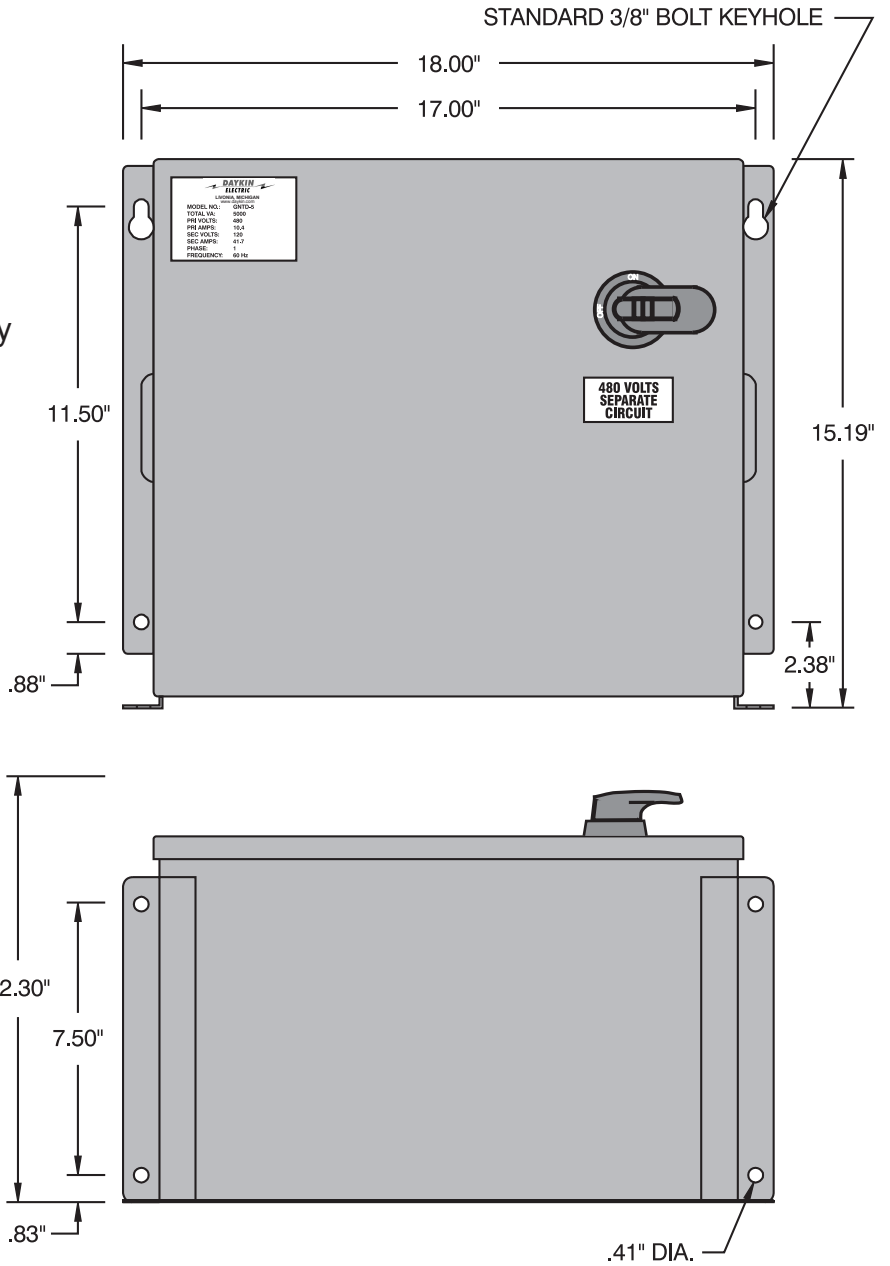
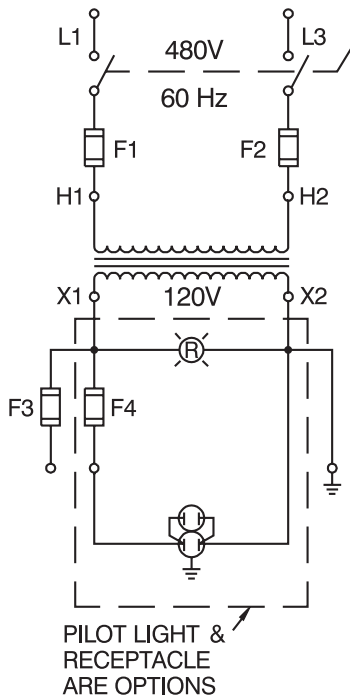


Transformer VA Rating	Model	Primary Fuses F1 and F2	GFCI Breaker	CB1	CB2 & 3	CB4	Approx. Weight (LBS)
4000	GMF-4	FNQR 20	15 A	5 A	10 A	1/2 A	75

The Daykin GNTD Series is a NEMA 12 enclosed transformer disconnect with a large capacity machine tool transformer.

### Features

- Transformer size 5000 and 7500 VA
- All overcurrent protection provided – primary and secondary fusing
- Switch can be locked in off position with up to three (3) padlocks
- Enclosure seams are continuously welded
- Continuous hinged door with neoprene gasketing
- Other options available, including label



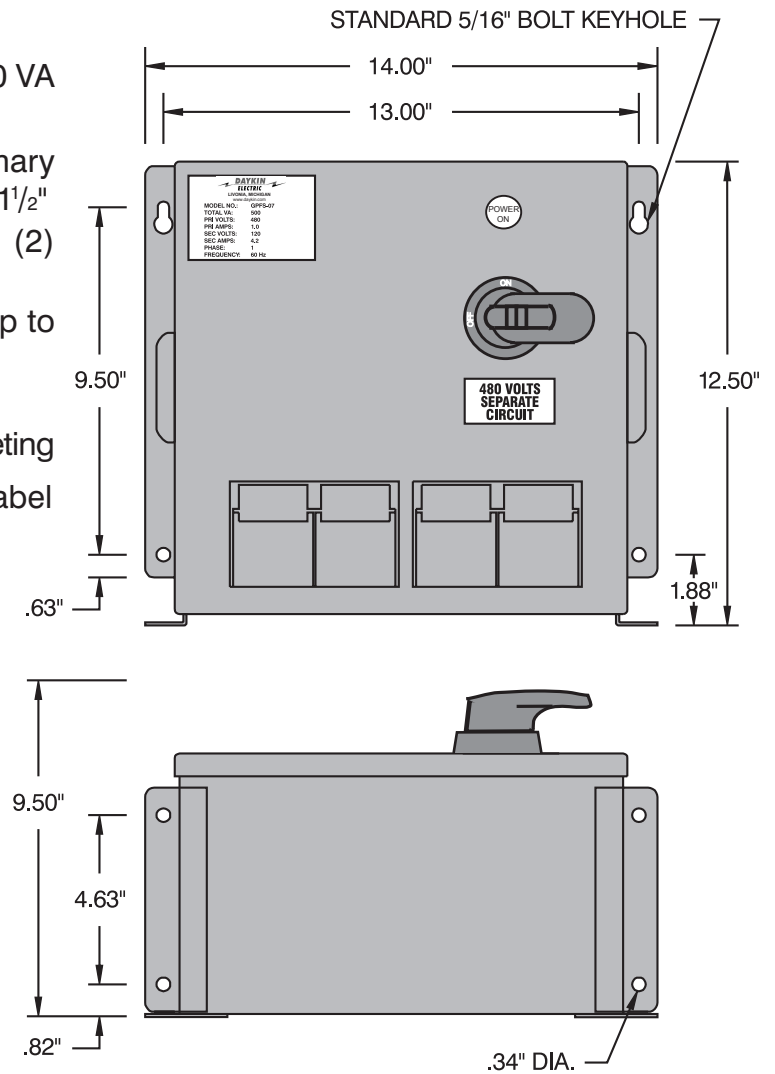
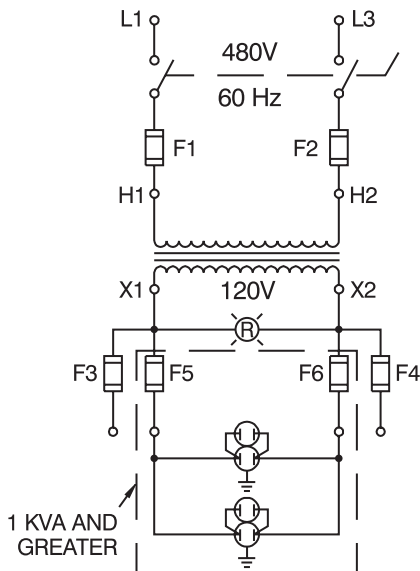
NEMA 12 COVER CLAMPS NOT SHOWN

Transformer VA Rating	Model	Primary Fusing F1 and F2	Secondary Fuse F3	Secondary Fusing W/Receptacle		Approx. Weight (LBS)	
				F3	F4		
5000	GNTD- 5	FRSR 15	FRNR 40	FRNR 35	FNM 6	125	
7500	GNTD - 7.5	FRSR 25	FRNR 60	FRNR 50	FNM 12	175	

The Daykin GPFS Series is a NEMA 12 enclosed transformer disconnect suitable for mounting on the outside of an electrical control panel. This enclosure has provisions for base or side mounting.

### Features

- Transformer size from 250 VA through 3000 VA
- Power-on pilot light
- All overcurrent protection provided - primary fuses CLASS CC secondary fuses  $1\frac{3}{32}$ " x  $1\frac{1}{2}$ "
- Units 1000 VA and above include two (2) covered 15 Amp duplex receptacles
- Switch can be locked in off position with up to three (3) padlocks
- Enclosure seams are continuously welded
- Continuous hinged door with neoprene gasketing
- Other options available, including label



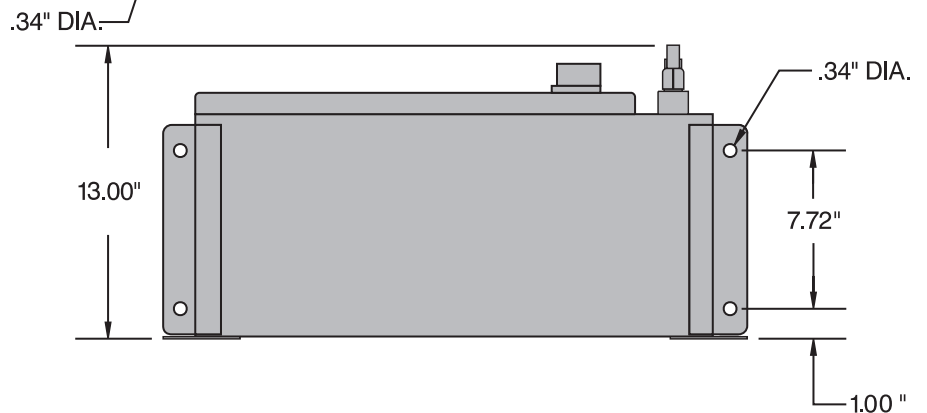
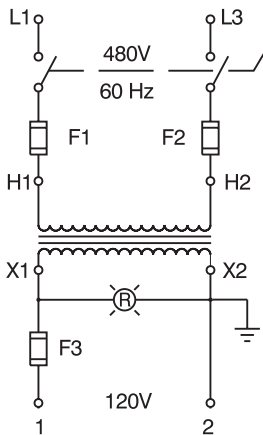
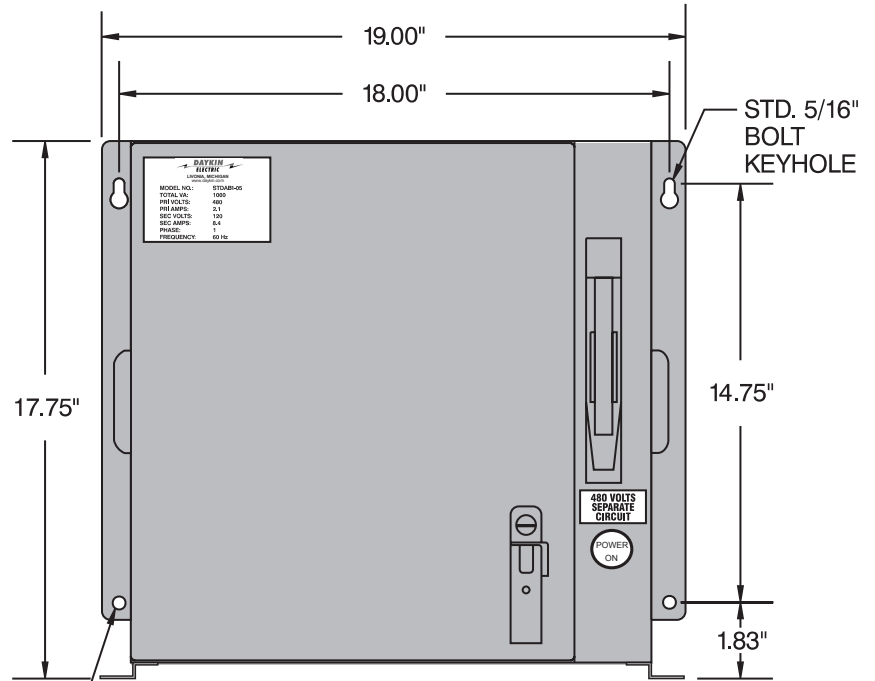
NEMA 12 COVER CLAMPS NOT SHOWN

Transformer VA Rating	Model	Primary Fuses F1 and F2	Secondary Fuses F3 & F4	Secondary Fuses F5 & F6	Approx. Weight (LBS)
250	GPFS - 09	FNQR 2	FNM 2	-	37
500	GPFS - 07	FNQR 3	FNM 5	-	39
750	GPFS - 13	FNQR 5	FNM 7	-	43
1000	GPFS - 05	FNQR 5	FNM 2	FNM 7	44
1500	GPFS - 03	FNQR 8	FNM 5	FNM 8	56
2000	GPFS - 01	FNQR 12	FNM 8	FNM 10	60
3000	GPFS - 15	FNQR 15	FNM 10	FNM 15	66

The Daykin STDAB1 Series is a NEMA 12 enclosed transformer disconnect with a flange mounted disconnect switch. This enclosure has provisions for base or side mounting.

### Features

- Transformer size from 1000 VA through 3000 VA
- Power-on pilot light
- All overcurrent protection provided - primary and secondary fuses CLASS RK-5
- Lockable Allen Bradley 30 Amp disconnect switch with max 200 kA short circuit protective current
- Visible Blade Construction for Safety
- Protective Fuse Cover with Door
- All enclosure seams are continuously welded
- Continuous hinged door with gasketing
- Other options available - contact the factory

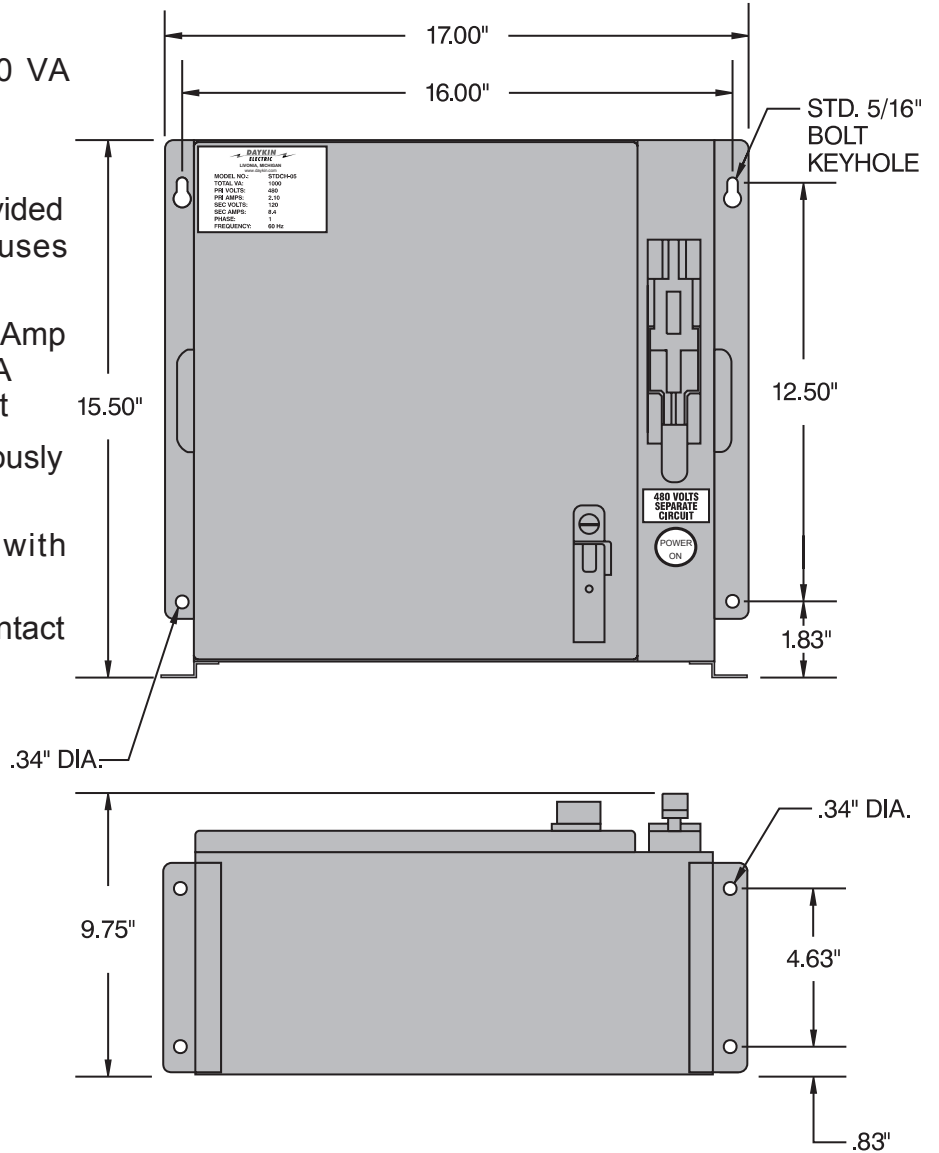
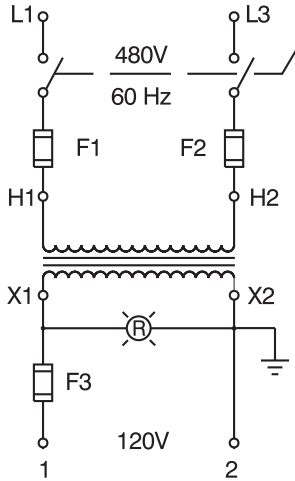


Transformer VA Rating	Model	Primary Fuses F1 and F2	Secondary Fuse F3	Approx. Weight (LBS)	
1000	STDAB1□05	FRSR 3	FRNR 10	57	
1500	STDAB1□03	FRSR 4	FRNR 15	68	
2000	STDAB1□01	FRSR 6	FRNR 20	72	
3000	STDAB1□15	FRSR 8	FRNR 25	81	

The Daykin STDCH Series is a NEMA 12 enclosed transformer disconnect with a flange mounted disconnect switch. This enclosure has provisions for base or side mounting.

### Features

- Transformer size from 1000 VA through 3000 VA
- Power-on pilot light
- All overcurrent protection provided - primary and secondary fuses CLASS RK-5
- Lockable Cutler Hammer 30 Amp disconnect switch with 200 kA short circuit protective current
- All enclosure seams continuously welded
- Continuous hinged door with gasketing
- Other options available - contact the factory

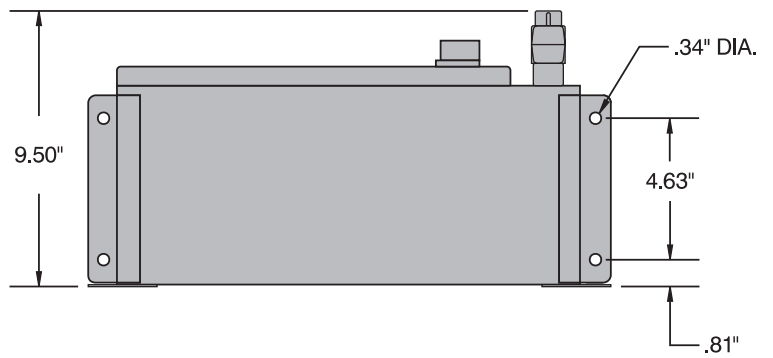
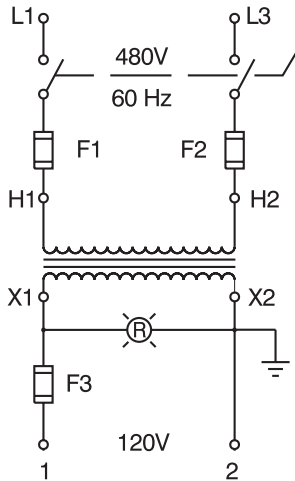
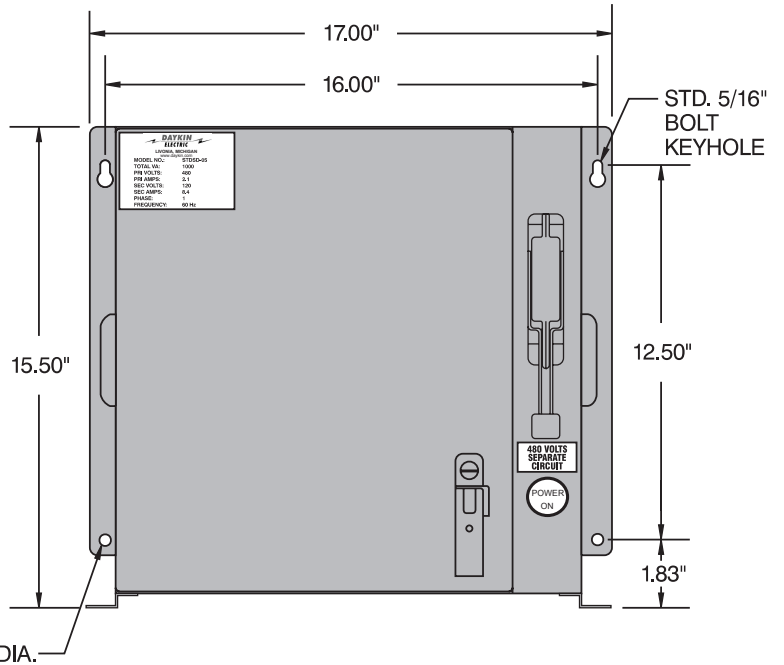


Transformer VA Rating	Model	Primary Fuse F1 and F2	Secondary Fuse F3	Approx. Weight (LBS)	
1000	STDCH □05	FRSR 3	FRNR 10	57	
1500	STDCH □03	FRSR 4	FRNR 15	68	
2000	STDCH □01	FRSR 6	FRNR 20	72	
3000	STDCH □15	FRSR 8	FRNR 25	81	

The Daykin STSDS Series is a NEMA 12 enclosed transformer disconnect with a flange mounted disconnect switch. This enclosure has provisions for base or side mounting.

### Features

- Transformer size from 1000 VA through 3000 VA
- Power-on pilot light
- All overcurrent protection provided - primary and secondary fuses CLASS RK-5
- Lockable Square-D 30 Amp disconnect switch with max 200 kA short circuit protective current
- All enclosure seams continuously welded
- Continuous hinged door with neoprene gasketing
- C-Fold/Super Seal around door opening channels away liquids and contaminants
- Other options available - contact the factory



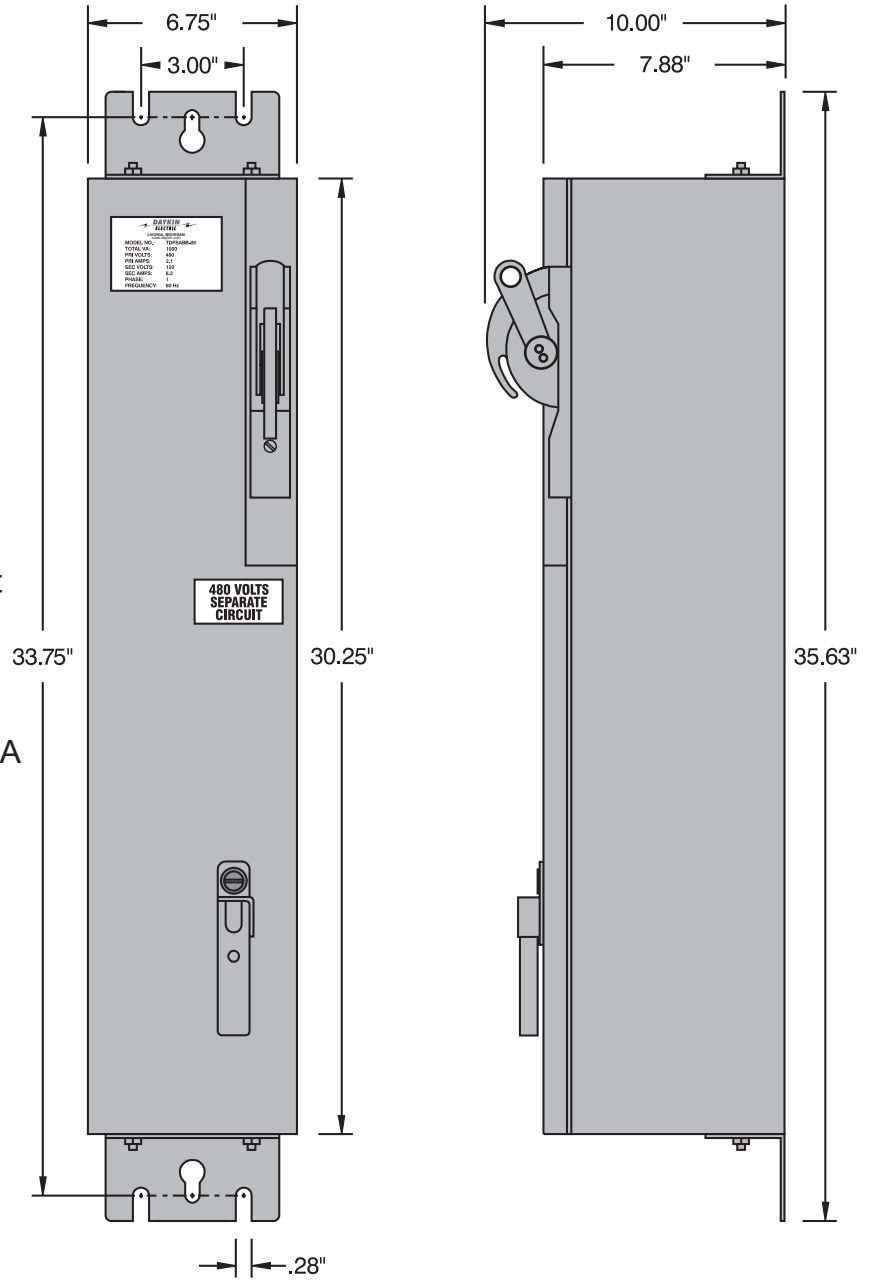
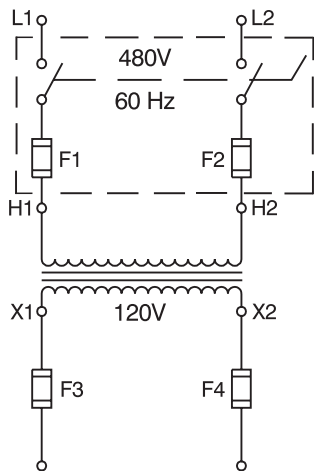
Transformer VA Rating	Model	Primary Fuse F1 and F2	Secondary Fuse F3	Approx. Weight (LBS)	
1000	STSDS □05	FRSR 3	FRNR 10	57	
1500	STSDS □03	FRSR 4	FRNR 15	68	
2000	STSDS □01	FRSR 6	FRNR 20	72	
3000	STSDS □15	FRSR 8	FRNR 25	81	



The Daykin TDFSABB Series is a NEMA 12 enclosed transformer disconnect with a flange mounted disconnect switch. The enclosure is designed to mount in plant columns.

### Features

- All enclosure seams continuously welded
- Continuous hinged door with gasketing
- Overcurrent protection provided. Primary fuses CLASS CC, secondary fuses  $1\frac{3}{32}$ " x  $1\frac{1}{2}$ "
- Lockable ABB 30 Amp disconnect switch
- Many options available - contact the factory
- Fused disconnect switch with 200kA interrupting capacity



TRANSFORMER DISCONNECT—NEMA 12

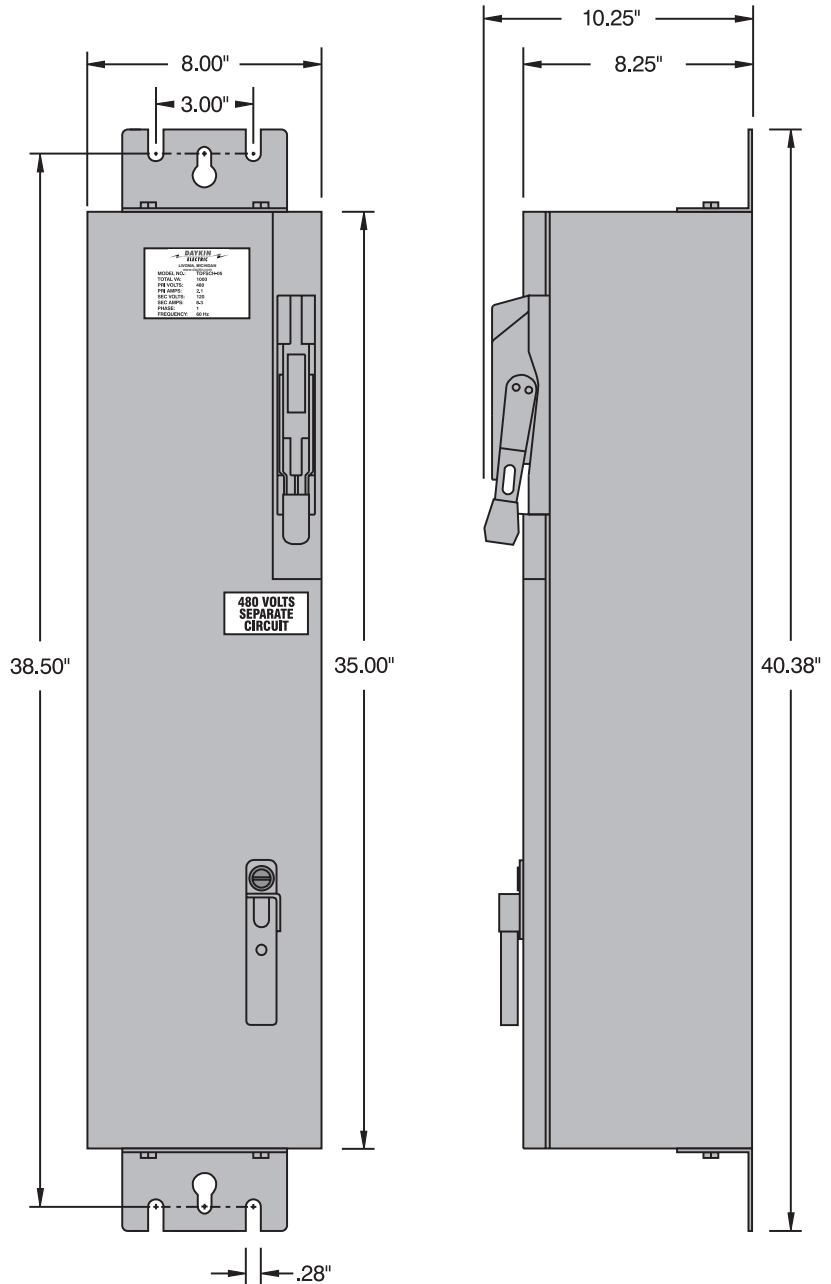
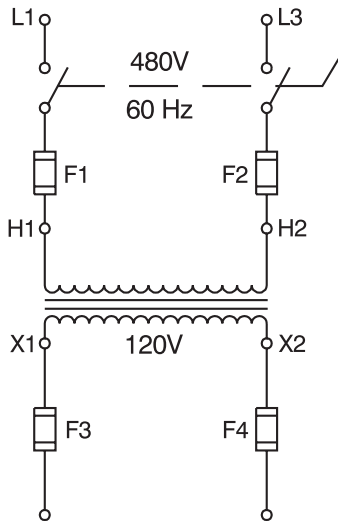
Transformer VA Rating	Model	Primary Fuse F1 and F2	Secondary Fuse F3	Approx. Weight (LBS)	
1000	TDFSABB - 05	FNQR 5	FNM 10	48	
1500	TDFSABB - 03	FNQR 8	FNM 15	60	
2000	TDFSABB - 01	FNQR 12	FNM 20	63	
3000	TDFSABB - 15	FNQR 15	FNM 25	70	

TRANSFORMER DISCONNECT - NEMA 12



The Daykin TDFSCH Series is a NEMA 12 enclosed transformer disconnect with a flange mounted disconnect switch. Enclosure designed to mount in plant columns.

### Features

- All enclosure seams continuously welded
- Continuous hinged door with gasketing
- Overcurrent protection provided. Primary fuses CLASS RK-5, secondary fuses  $1\frac{3}{32}$ " x  $1\frac{1}{2}$ "
- Lockable Cutler Hammer 30 Amp disconnect switch
- Many options available - contact the factory



Transformer VA Rating	Model	Primary Fuse F1 and F2	Secondary Fuse F3	Approx. Weight (LBS)	
1000	TDFSCH □ 05	FRSR 3	FNM 10	60	
1500	TDFSCH □ 03	FRSR 4	FNM 15	72	
2000	TDFSCH □ 01	FRSR 6	FNQ 20	75	
3000	TDFSCH □ 15	FRSR 8	FNQ 25	82	

	Add Suffix	List Adder
Fused disconnect switch with 200 kA interrupting capacity when high I/C is not standard.	<b>B</b>	Consult Factory
Add additional <b>Fuse</b> to secondary side.	<b>F</b>	Consult Factory
Add or substitute a 115 VAC <b>Ground Fault Circuit Interrupter</b> with 15 amp receptacle and maximum feed through protection of 20 amps.	<b>G</b>	Consult Factory
Add <b>Ground Fault Lights</b> and ungrounded secondary .	<b>K</b>	Consult Factory
To order <b>Less Receptacle</b> where receptacle is standard.	<b>L</b>	N/C
Substitute <b>Ungrounded Secondary</b> circuit in place of grounded circuit.	<b>N</b>	Consult Factory
Substitute <b>Grounded Secondary</b> circuit in place of ungrounded circuit.	<b>O</b>	N/C
Add <b>Power On</b> pilot light where light is <b>not</b> standard.	<b>P</b>	Consult Factory
Substitute <b>Shielded Transformer</b> in place of standard one.	<b>S</b>	10% to list price
 label affixed inside enclosure door upon request.	<b>U</b>	N/C
To order <b>With Receptacle</b> where receptacle is <b>not</b> standard.	<b>W</b>	Consult Factory
<b>Special Voltage Transformers</b> available.	—	Consult Factory
 certified <b>Transformer Disconnects</b> .	—	Consult Factory

Please note that any change in voltage, frequency, interrupting capacity or any combination of the above features may change the enclosure dimensions.

When ordering, please indicate catalog number and operating voltage.