



## Individual & fixed bank capacitors

**LVNO**  
LOW VOLTAGE  
NETWORK QUALITY



# Individual & fixed bank capacitors

### Description

- **High reliability**  
Well proven features of ABB dry type power factor correction capacitor technology are incorporated into individual and fixed bank designs.
- **Very low losses**  
Capacitor total losses are less than 0.5 watts per kvar.
- **Discharge mechanism**  
Carbon filament or wire-wound resistors sized to automatically discharge the capacitor to less than 50 volts in under one minute.
- **Tolerance on capacitance**  
0%, +15%
- **Overcurrent tolerance**  
135% of rated current, continuously
- **Overvoltage tolerance**  
110% of rated voltage, continuously
- **Standard ambient temperature range**  
-40°C to +40°C (-40°F to +104°F)
- **Internal cables and insulation**  
All internal conductors utilize stranded, tin plated copper wire. Insulation is fire-retardant, rated 105°C (220°F).
- **Complete environmental acceptability**  
ABB capacitors have a dry type dielectric with no free liquid and do not pose any risk of leakage or pollution of the environment. Therefore, employee safety training and maintenance of Material Safety Data Sheets are not required with these capacitors.
- **Unique sequential protection system**  
Patented system ensures that each individual capacitor element is selectively and reliably disconnected from the circuit at the end of its life.

*continued next page*

Availability to be announced.  
Please consult ABB

## General information

### Catalog numbering explanation

#### Fuse protection

- ABB capacitors are provided with patented IPE (Internally Protected Elements) which is an integral and important part of the Sequential Protection System. Additional fuses are NOT required for protection of ABB capacitor elements, but external overcurrent protection may be needed for the installation in order to meet the National Electric Code requirements concerning protection of the conductors feeding the capacitors.

#### Long life

Low losses and the self-healing properties of ABB capacitor elements help to guarantee the long operating life of individual and fixed capacitor banks from ABB.

#### Safety

Vermiculite, a nonflammable and nontoxic material, safely absorbs any energy produced within the capacitor enclosure.

#### Approvals

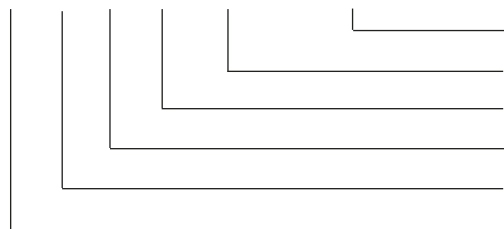
- UL, CE and CSA approved
  - UL File #E135667
  - CSA File #LR88616
- Complies with applicable requirements of IEC, NEC®, NEMA CP-1, ANSI and IEEE std. 18.

#### Factory modifications

- Mounting brackets
- Terminal connected fuses & blown fuse indication
- State indication

NOTE: National Electric Code® and NEC® are registered trademarks of the National Fire Protection Association, Inc., Quincy, MA 02269

## C 4 4 G 2.5 - 2LF



### ABB Capacitor catalog numbering system

**Factory modifications**

**kvar rating**

**Enclosure type – G=NEMA 1, R=NEMA 3R, D=NEMA 12**

**Enclosure size – 4=43, 5=53, 6=63, 8=83**

**Voltage – 1=208V, 2=240V, 3=380V, 4=480V, 6=600V**

**Capacitor type – C=Individual, F=Fixed bank, P=Pump jack**

Availability to be announced.  
Please consult ABB

# Individual capacitors

## 3 phase ①

### 240 Volt, 60 Hz

Low Voltage  
Network Quality



ABB's standard capacitor is suitable for general power factor correction applications, for connection directly at the reactive source.

Features include:

- Dry, environmentally safe construction
- Self healing capability
- Patented Internal Protected Elements
- NEMA 1, 3R, 12
- Easy electrical connection to large terminals
- Convenient grounding lug
- Mounting feet for easy installation
- Suitable for floor or wall mounting

### 240 Volt, 60 Hz – 3-Phase

Enclosure size	kvar rating	Rated current per phase (amps)	Approx. shipping weight (lbs.)	Enclosure type					
				Indoor – NEMA 1		Outdoor – NEMA 3R		Indoor – NEMA 12	
				Catalog number	List price	Catalog number	List price	Catalog number	List price
43	1	2.4	8	C24G1	\$ 134	C24R1	\$ 145	C24D1	\$ 145
	1.5	3.6	8	C24G1.5	140	C24R1.5	151	C24D1.5	151
	2	4.8	8	C24G2	145	C24R2	156	C24D2	156
	2.5	6.0	8	C24G2.5	161	C24R2.5	172	C24D2.5	172
	3	7.2	8	C24G3	168	C24R3	179	C24D3	179
	3.5	8.4	8	C24G3.5	177	C24R3.5	188	C24D3.5	188
	4	9.6	8	C24G4	193	C24R4	204	C24D4	204
	5	12.0	8	C24G5	204	C24R5	215	C24D5	215
	6	14.4	8	C24G6	225	C24R6	236	C24D6	236
	7	16.8	8	C24G7	257	C24R7	268	C24D7	268
	7.5	18.0	8	C24G7.5	263	C24R7.5	274	C24D7.5	274
	8	19.2	8	C24G8	268	C24R8	279	C24D8	279
	9	21.7	8	C24G9	279	C24R9	290	C24D9	290
	10	24.1	8	C24G10	289	C24R10	300	C24D10	300
	11	26.5	13	C24G11	305	C24R11	316	C24D11	316
	12	28.9	13	C24G12	332	C24R12	343	C24D12	343
	12.5	30.1	13	C24G12.5	343	C24R12.5	354	C24D12.5	354
14	33.7	8	C24G14	354	C24R14	365	C24D14	365	
15	36.1	8	C24G15	375	C24R15	386	C24D15	386	
17	40.8	22	C24G17	407	C24R17	418	C24D17	418	
53	20	48.1	22	C24G20	450	C24R20	461	C24D20	461
	22.5	54.1	23	C25G22.5	471	C25R22.5	482	C25D22.5	482
	25	60.1	23	C25G25	503	C25R25	514	C25D25	514
	30	72.2	23	C25G30	557	C25R30	568	C25D30	568
	35	84.2	25	C25G35	610	C25R35	621	C25D35	621
	40	96.2	25	C25G40	696	C25R40	707	C25D40	707
63	45	108.3	34	C26G45	814	C26R45	825	C26D45	825
	50	120.3	34	C26G50	889	C26R50	900	C26D50	900
	55	132.3	37	C26G55	1124	C26R55	1135	C26D55	1135
	60	144.3	37	C26G60	1177	C26R60	1188	C26D60	1188
	70	168.4	39	C26G70	1236	C26R70	1247	C26D70	1247
	80	192.6	43	C26G80	1365	C26R80	1376	C26D80	1376

### Capacitor state indication system

240V kvar	LEDs catalog number suffix	List price
1 – 15	-2LE	\$ 91
17 – 30		102
35 – 60		113
70 – 80		225

The capacitor state indication system consists of two yellow LED lights which illuminate only when the capacitor is energized and functioning at 65% or more of its rated kvar capacity.

The two light system will indicate a failure in any one of the three phases of the capacitor.

### 208 Volt availability

For 208 volt applications, derate the 240V capacitors. The kvar at 208V will be .75 times the kvar at 240V.

**NOTE: ABB's patented IPE design eliminates the need for additional overcurrent protection when capacitors are electrically connected on the load side of a motor starter circuit breaker or fusible disconnect switch.**

Availability to be announced.  
Please consult ABB

① For single phase capacitors, please consult your ABB representative.

## Individual capacitors

### 3-phase ①

### 480 Volt, 60 Hz

#### 480 Volt, 60 Hz – 3-Phase

Enclosure size	kvar rating	Rated current per phase (amps)	Approx. shipping weight (lbs.)	Enclosure type					
				Indoor – NEMA 1		Outdoor – NEMA 3R		Indoor – NEMA 12	
				Catalog number	List price	Catalog number	List price	Catalog number	List price
43	1.5	1.8	8	C44G1.5	\$ 134	C44R1.5	\$ 145	C44D1.5	\$ 145
	2	2.4	8	C44G2	140	C44R2	151	C44D2	151
	2.5	3.0	8	C44G2.5	145	C44R2.5	156	C44D2.5	156
	3	3.6	8	C44G3	150	C44R3	161	C44D3	161
	4	4.8	8	C44G4	152	C44R4	163	C44D4	163
	5	6.0	8	C44G5	161	C44R5	172	C44D5	172
	6	7.2	8	C44G6	172	C44R6	183	C44D6	183
	7.5	9.0	8	C44G7.5	188	C44R7.5	199	C44D7.5	199
	8	9.6	8	C44G8	193	C44R8	204	C44D8	204
	9	10.8	8	C44G9	204	C44R9	215	C44D9	215
	10	12.0	8	C44G10	214	C44R10	225	C44D10	225
	12	14.4	13	C44G12	225	C44R12	236	C44D12	236
	12.5	15.0	13	C44G12.5	231	C44R12.5	242	C44D12.5	242
	13	15.6	13	C44G13	241	C44R13	252	C44D13	252
	13.5	16.2	13	C44G13.5	247	C44R13.5	258	C44D13.5	258
	14	16.8	8	C44G14	252	C44R14	263	C44D14	263
	15	18.0	8	C44G15	257	C44R15	268	C44D15	268
	16	19.2	13	C44G16	263	C44R16	274	C44D16	274
	17	20.4	13	C44G17	268	C44R17	279	C44D17	279
	17.5	21.0	13	C44G17.5	273	C44R17.5	284	C44D17.5	284
	18	21.7	13	C44G18	279	C44R18	290	C44D18	290
	19	22.8	13	C44G19	284	C44R19	295	C44D19	295
	20	24.1	13	C44G20	295	C44R20	306	C44D20	306
	21	25.3	13	C44G21	311	C44R21	322	C44D21	322
	22	26.5	13	C44G22	316	C44R22	327	C44D22	327
	22.5	27.1	13	C44G22.5	321	C44R22.5	332	C44D22.5	332
	24	28.9	13	C44G24	332	C44R24	343	C44D24	343
	25	30.1	13	C44G25	338	C44R25	349	C44D25	349
	27	32.5	13	C44G27	354	C44R27	365	C44D27	365
	30	36.1	13	C44G30	370	C44R30	381	C44D30	381
53	32.5	39.1	14	C45G32.5	386	C45R32.5	397	C45D32.5	397
	35	42.1	23	C45G35	412	C45R35	423	C45D35	423
	37.5	45.1	23	C45G37.5	428	C45R37.5	439	C45D37.5	439
	40	48.1	23	C45G40	445	C45R40	456	C45D40	456
	42.5	51.1	23	C45G42.5	461	C45R42.5	472	C45D42.5	472
	45	54.1	25	C45G45	477	C45R45	588	C45D45	588
	47.5	57.1	25	C45G47.5	487	C45R47.5	498	C45D47.5	498
	50	60.1	25	C45G50	493	C45R50	504	C45D50	504
63	52.5	63.1	37	C46G52.5	514	C46R52.5	525	C46D52.5	525
	55	66.2	37	C46G55	530	C46R55	541	C46D55	541
	57.5	69.2	37	C46G57.5	552	C46R57.5	563	C46D57.5	563
	60	72.2	37	C46G60	562	C46R60	573	C46D60	573
	62.5	75.2	37	C46G62.5	578	C46R62.5	589	C46D62.5	589
	65	78.2	37	C46G65	600	C46R65	611	C46D65	611
	70	84.2	39	C46G70	621	C46R70	632	C46D70	632
	75	90.2	39	C46G75	685	C46R75	696	C46D75	696
77.5	93.2	39	C46G77.5	728	C46R77.5	739	C46D77.5	739	
83	80	96.2	56	C48G80	749	C48R80	760	C48D80	760
	85	102.2	56	C48G85	792	C48R85	803	C48D85	803
	87.5	105.2	56	C48G87.5	835	C48R87.5	846	C48D87.5	846
	90	108.3	56	C48G90	873	C48R90	884	C48D90	884
	95	114.3	56	C48G95	905	C48R95	916	C48D95	916
	100	120.3	56	C48G100	921	C48R100	932	C48D100	932
	105	126.3	59	C48G105	963	C48R105	974	C48D105	974
	110	132.3	61	C48G110	1012	C48R110	1023	C48D110	1023
115	138.3	76	C48G115	1033	C48R115	1044	C48D115	1044	
120	144.3	76	C48G120	1054	C48R120	1065	C48D120	1065	

#### Capacitor state indication system

See page 19.11.

**NOTE:** ABB's patented IPE design eliminates the need for additional overcurrent protection when capacitors are electrically connected on the load side of a motor starter circuit breaker or fusible disconnect switch.

Availability to be announced.  
Please consult ABB

① For single phase capacitors, please consult your ABB representative.

# Individual capacitors

## 3 phase ①

### 600 Volt, 60 Hz



#### 600 Volt, 60 Hz – 3 phase

Enclosure size	kvar rating	Rated current per phase (amps)	Approx. shipping weight (lbs.)	Enclosure type					
				Indoor – NEMA 1		Outdoor – NEMA 3R		Indoor – NEMA 12	
				Catalog number	List price	Catalog number	List price	Catalog number	List price
43	2.2	1.9	8	C64G2.2	\$ 145	C64R2.2	\$ 156	C64D2.2	156
	3	2.9	8	C64G3	150	C64R3	161	C64D3	161
	4	3.8	8	C64G4	156	C64R4	167	C64D4	167
	5	4.8	8	C64G5	166	C64R5	177	C64D5	177
	7.5	7.2	8	C64G7.5	204	C64R7.5	215	C64D7.5	215
	10	9.6	8	C64G10	225	C64R10	236	C64D10	236
	14	13.5	8	C64G14	247	C64R14	258	C64D14	258
	15	14.4	8	C64G15	252	C64R15	263	C64D15	263
	17.5	16.8	13	C64G17.5	289	C64R17.5	300	C64D17.5	300
	20	19.2	13	C64G20	305	C64R20	316	C64D20	316
	25	24.1	13	C64G25	332	C64R25	343	C64D25	343
	30	28.9	13	C64G30	364	C64R30	375	C64D30	375
	53	35	33.7	25	C65G35	418	C65R35	429	C65D35
40		38.5	25	C65G40	450	C65R40	461	C65D40	461
45		43.3	25	C65G45	493	C65R45	504	C65D45	504
50		48.1	35	C65G50	535	C65R50	546	C65D50	546
63	60	57.7	37	C66G60	589	C66R60	600	C66D60	600
	70	67.4	39	C66G70	642	C66R70	653	C66D70	653
	75	72.2	39	C66G75	696	C66R75	707	C66D75	707
	80	77.0	39	C66G80	771	C66R80	782	C66D80	782
	90	86.6	54	C68G90	878	C68R90	889	C68D90	889
	95	91.4	54	C68G95	910	C68R95	921	C68D95	921
	100	96.2	56	C68G100	963	C68R100	974	C68D100	974
83	105	101.0	59	C68G105	992	C68R105	1003	C68D105	1003
	110	105.8	61	C68G110	1050	C68R110	1061	C68D110	1061
	115	110.7	76	C68G115	1074	C68R115	1085	C68D115	1085
	120	115.5	76	C68G120	1092	C68R120	1103	C68D120	1103
	125	120.3	76	C68G125	1275	C68R125	1286	C68D125	1286
	130	125.1	76	C68G130	1342	C68R130	1353	C68D130	1353
	135	129.9	76	C68G135	1355	C68R135	1366	C68D135	1366

#### Capacitor state indication system

480V & 600V kvar	LEDs catalog number suffix	List price
1 – 30	-2LE	\$ 91
32.5 – 60		102
62.5 – 100		113
105 – 135		225

**NOTE:** ABB's patented IPE design eliminates the need for additional overcurrent protection when capacitors are electrically connected on the load side of a motor starter circuit breaker or fusible disconnect switch.

The capacitor state indication system consists of two yellow LED lights which illuminate only when the capacitor is energized and functioning at 65% or more of its rated kvar capacity.

The two light system will indicate a failure in any one of the three phases of the capacitor.

Availability to be announced.  
Please consult ABB

① For single phase capacitors, please consult your ABB representative

## Individual capacitors with fuses and blown fuse indicators, 3 phase 240 Volt, 60 Hz



ABB low voltage capacitors are fully protected by the three levels of protection offered by the patented Sequential Protection System which includes dry self-healing capacitors, internally protected elements and the dry non-flammable vermiculite filler. However, some users have traditionally requested external fuses and blown fuse indicators, so these modified units are offered for those applications.

Features include:

- Dry, environmentally safe construction
- Self healing capability
- Patented **Internal Protected Elements**
- NEMA 1, 3R, 12
- Easy electrical connection to large terminals
- Convenient grounding lug
- Mounting feet for easy installation
- Suitable for floor or wall mounting
- Includes three fuses and three blown fuse indication lamps

### 240 Volt, 60 Hz – 3 phase

Enclosure size	kvar rating	Rated current per phase (amps)	Fuse amps/type	Approx. shipping weight (lbs.)	Enclosure type					
					Indoor – NEMA 1		Outdoor – NEMA 3R		Indoor – NEMA 12	
					Catalog number	List price	Catalog number	List price	Catalog number	List price
43	1	2.4	6/CC	8	C24G1-3FI	\$ 204	C24R1-3FI	\$ 215	C24D1-3FI	\$ 215
	1.5	3.6	10/CC	8	C24G1.5-3FI	220	C24R1.5-3FI	231	C24D1.5-3FI	231
	2	4.8	12/CC	8	C24G2-3FI	225	C24R2-3FI	236	C24D2-3FI	236
	2.5	6.0	15/CC	8	C24G2.5-3FI	231	C24R2.5-3FI	242	C24D2.5-3FI	242
	3	7.2	20/CC	8	C24G3-3FI	236	C24R3-3FI	247	C24D3-3FI	247
	3.5	8.4	20/CC	8	C24G3.5-3FI	247	C24R3.5-3FI	258	C24D3.5-3FI	258
	4	9.6	25/CC	8	C24G4-3FI	268	C24R4-3FI	279	C24D4-3FI	279
	5	12.0	30/CC	8	C24G5-3FI	289	C24R5-3FI	300	C24D5-3FI	300
	6	14.4	45/T	8	C24G6-3FI	300	C24R6-3FI	311	C24D6-3FI	311
53	7	16.8	50/T	8	C24G7-3FI	321	C24R7-3FI	332	C24D7-3FI	332
	7.5	18.0	60/T	8	C24G7.5-3FI	332	C24R7.5-3FI	343	C24D7.5-3FI	343
	8	19.2	60/T	8	C24G8-3FI	354	C24R8-3FI	365	C24D8-3FI	365
	9	21.7	50/KGJ	14	C25G9-3FI	375	C25R9-3FI	386	C25D9-3FI	386
	10	24.1	50/KGJ	14	C25G10-3FI	396	C25R10-3FI	407	C25D10-3FI	407
	11	26.5	60/KGJ	14	C25G11-3FI	418	C25R11-3FI	429	C25D11-3FI	429
	12	28.9	60/KGJ	14	C25G12-3FI	450	C25R12-3FI	461	C25D12-3FI	461
	12.5	30.1	60/KGJ	14	C25G12.5-3FI	471	C25R12.5-3FI	482	C25D12.5-3FI	482
	14	33.7	75/KGJ	14	C25G14-3FI	493	C25R14-3FI	504	C25D14-3FI	504
63	15	36.1	80/KGJ	14	C25G15-3FI	503	C25R15-3FI	514	C25D15-3FI	514
	17	40.9	80/KGJ	23	C25G17-3FI	557	C25R17-3FI	568	C25D17-3FI	568
	20	48.1	125/KGJ	23	C25G20-3FI	589	C25R20-3FI	600	C25D20-3FI	600
	22.5	54.2	125/KGJ	23	C25G22.5-3FI	642	C25R22.5-3FI	653	C25D22.5-3FI	653
	25	60.1	150/KGJ	23	C25G25-3FI	696	C25R25-3FI	707	C25D25-3FI	707
	30	72.2	175/KGJ	23	C25G30-3FI	803	C25R30-3FI	814	C25D30-3FI	814
	35	84.2	200/KGJ	23	C25G35-3FI	883	C25R35-3FI	894	C25D35-3FI	894
	40	96.2	225/KGJ	25	C25G40-3FI	1017	C25R40-3FI	1028	C25D40-3FI	1028
	63	45	108.3	250/KGJ	34	C26G45-3FI	1124	C26R45-3FI	1135	C26D45-3FI
50		120.3	250/KGJ	34	C26G50-3FI	1231	C26R50-3FI	1242	C26D50-3FI	1242
55		132	250/KGJ	37	C26G55-3FI	1311	C26R55-3FI	1322	C26D55-3FI	1322
60		144.3	250/KGJ	37	C26G60-3FI	1418	C26R60-3FI	1429	C26D60-3FI	1429

### 208 Volt availability

For 208 volt applications, derate the 240V capacitors. The kvar at 208V will be .75 times the kvar at 240V.

**NOTE:** ABB's patented IPE design eliminates the need for additional overcurrent protection when capacitors are electrically connected on the load side of a motor starter circuit breaker or fusible disconnect switch.

Availability to be announced.  
Please consult ABB

# Individual capacitors with fuses and blown fuse indicators, 3 phase 480 Volt, 60 Hz



## 480 Volt, 60 Hz – 3 phase

Enclosure size	kvar rating	Rated current per phase (amps)	Fuse amps/type	Approx. shipping weight (lbs.)	Enclosure type					
					Indoor – NEMA 1		Outdoor – NEMA 3R		Indoor – NEMA 12	
					Catalog number	List price	Catalog number	List price	Catalog number	List price
43	1.5	1.8	5/CC	8	C44G1.5-3FI	\$ 211	C44R1.5-3FI	\$ 215	C44D1.5-3FI	\$ 215
	2	2.4	6/CC	8	C44G2-3FI	204	C44R2-3FI	222	C44D2-3FI	222
	2.5	3.0	8/CC	8	C44G2.5-3FI	214	C44R2.5-3FI	225	C44D2.5-3FI	225
	3	3.6	10/CC	8	C44G3-3FI	217	C44R3-3FI	228	C44D3-3FI	228
	4	4.8	12/CC	8	C44G4-3FI	220	C44R4-3FI	231	C44D4-3FI	231
	5	6.0	15/CC	8	C44G5-3FI	222	C44R5-3FI	233	C44D5-3FI	233
	6	7.2	20/CC	8	C44G6-3FI	231	C44R6-3FI	242	C44D6-3FI	242
	7.5	9.0	25/CC	8	C44G7.5-3FI	257	C44R7.5-3FI	268	C44D7.5-3FI	268
	8	9.6	25/CC	8	C44G8-3FI	273	C44R8-3FI	284	C44D8-3FI	284
	9	10.8	30/CC	8	C44G9-3FI	284	C44R9-3FI	295	C44D9-3FI	295
	10	12.0	30/CC	8	C44G10-3FI	295	C44R10-3FI	306	C44D10-3FI	306
	12	14.4	45/T	13	C44G12-3FI	300	C44R12-3FI	311	C44D12-3FI	311
	12.5	15.0	45/T	13	C44G12.5-3FI	305	C44R12.5-3FI	316	C44D12.5-3FI	316
	13	15.6	50/T	13	C44G13-3FI	311	C44R13-3FI	322	C44D13-3FI	322
	13.5	16.2	50/T	13	C44G13.5-3FI	313	C44R13.5-3FI	324	C44D13.5-3FI	324
	14	16.8	50/T	8	C44G14-3FI	316	C44R14-3FI	327	C44D14-3FI	327
15	18.0	60/T	8	C44G15-3FI	327	C44R15-3FI	338	C44D15-3FI	338	
16	19.2	60/T	13	C44G16-3FI	332	C44R16-3FI	343	C44D16-3FI	343	
53	17	20.4	50/KGJ	14	C45G17-3FI	343	C45R17-3FI	354	C45D17-3FI	354
	17.5	21.0	50/KGJ	14	C45G17.5-3FI	354	C45R17.5-3FI	365	C45D17.5-3FI	365
	18	21.7	50/KGJ	14	C45G18-3FI	364	C45R18-3FI	375	C45D18-3FI	375
	19	22.8	50/KGJ	14	C45G19-3FI	375	C45R19-3FI	386	C45D19-3FI	386
	20	24.1	50/KGJ	14	C45G20-3FI	386	C45R20-3FI	397	C45D20-3FI	397
	21	25.3	60/KGJ	14	C45G21-3FI	391	C45R21-3FI	402	C45D21-3FI	402
	22	26.5	60/KGJ	14	C45G22-3FI	396	C45R22-3FI	407	C45D22-3FI	407
	22.5	27.1	60/KGJ	14	C45G22.5-3FI	407	C45R22.5-3FI	418	C45D22.5-3FI	418
	24	28.9	60/KGJ	14	C45G24-3FI	418	C45R24-3FI	429	C45D24-3FI	429
	25	30.1	75/KGJ	14	C45G25-3FI	428	C45R25-3FI	439	C45D25-3FI	439
	27	32.5	75/KGJ	14	C45G27-3FI	450	C45R27-3FI	461	C45D27-3FI	461
	30	36.1	80/KGJ	14	C45G30-3FI	482	C45R30-3FI	493	C45D30-3FI	493
	32.5	39.1	100/KGJ	14	C45G32.5-3FI	509	C45R32.5-3FI	520	C45D32.5-3FI	520
	35	42.1	100/KGJ	23	C45G35-3FI	535	C45R35-3FI	546	C45D35-3FI	546
	37.5	45.1	100/KGJ	23	C45G37.5-3FI	546	C45R37.5-3FI	557	C45D37.5-3FI	557
	40	48.1	125/KGJ	23	C45G40-3FI	557	C45R40-3FI	568	C45D40-3FI	568
42.5	51.1	125/KGJ	23	C45G42.5-3FI	589	C45R42.5-3FI	600	C45D42.5-3FI	600	
45	54.1	125/KGJ	25	C45G45-3FI	621	C45R45-3FI	632	C45D45-3FI	632	
47.5	57.1	125/KGJ	25	C45G47.5-3FI	642	C45R47.5-3FI	653	C45D47.5-3FI	653	
50	60.1	150/KGJ	25	C45G50-3FI	664	C45R50-3FI	675	C45D50-3FI	675	
63	52.5	63.1	150/KGJ	37	C46G52.5-3FI	685	C46R52.5-3FI	696	C46D52.5-3FI	696
	55	66.2	150/KGJ	37	C46G55-3FI	707	C46R55-3FI	718	C46D55-3FI	718
	57.5	69.2	150/KGJ	37	C46G57.5-3FI	728	C46R57.5-3FI	739	C46D57.5-3FI	739
	60	72.2	175/KGJ	37	C46G60-3FI	739	C46R60-3FI	750	C46D60-3FI	750
	62.5	75.2	175/KGJ	37	C46G62.5-3FI	766	C46R62.5-3FI	777	C46D62.5-3FI	777
	65	78.2	175/KGJ	37	C46G65-3FI	771	C46R65-3FI	782	C46D65-3FI	782
	70	84.2	200/KGJ	39	C46G70-3FI	792	C46R70-3FI	803	C46D70-3FI	803
	75	90.2	200/KGJ	41	C46G75-3FI	814	C46R75-3FI	825	C46D75-3FI	825
77.5	93.2	200/KGJ	41	C46G77.5-3FI	830	C46R77.5-3FI	841	C46D77.5-3FI	841	
83	80	96.2	225/KGJ	56	C48G80-3FI	856	C48R80-3FI	867	C48D80-3FI	867
	85	102.2	225/KGJ	56	C48G85-3FI	910	C48R85-3FI	921	C48D85-3FI	921
	87.5	105.2	225/KGJ	56	C48G87.5-3FI	937	C48R87.5-3FI	948	C48D87.5-3FI	948
	90	108.3	225/KGJ	56	C48G90-3FI	963	C48R90-3FI	974	C48D90-3FI	974
	95	114.3	250/KGJ	56	C48G95-3FI	1001	C48R95-3FI	1012	C48D95-3FI	1012
	100	120.3	250/KGJ	56	C48G100-3FI	1033	C48R100-3FI	1044	C48D100-3FI	1044
	105	126.3	250/KGJ	59	C48G105-3FI	1280	C48R105-3FI	1291	C48D105-3FI	1291
	110	132.3	250/KGJ	61	C48G110-3FI	1310	C48R110-3FI	1321	C48D110-3FI	1321
	115	138.3	250/KGJ	76	C48G115-3FI	1350	C48R115-3FI	1361	C48D115-3FI	1361
	120	144.3	300/KGJ	76	C48G120-3FI	1390	C48R120-3FI	1401	C48D120-3FI	1401

**NOTE: ABB's patented IPE design eliminates the need for additional overcurrent protection when capacitors are electrically connected on the load side of a motor starter circuit breaker or fusible disconnect switch.**

Availability to be announced.  
Please consult ABB

## Individual capacitors with fuses and blown fuse indicators, 3 phase 600 Volt, 60 Hz

### 600 Volt, 60 Hz — 3 phase

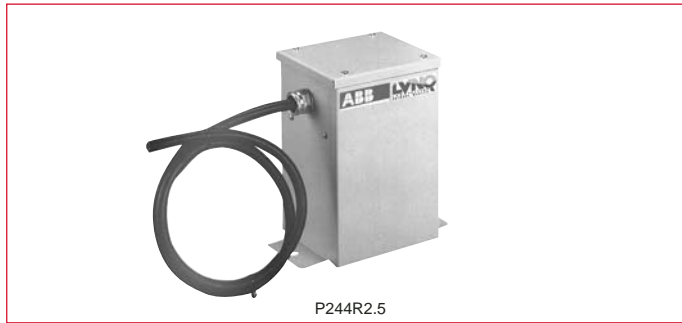
Enclosure size	kvar rating	Rated current per phase (amps)	Fuse amps/type	Approx. shipping weight (lbs.)	Enclosure type					
					Indoor – NEMA 1		Outdoor – NEMA 3R		Indoor – NEMA 12	
					Catalog number	List price	Catalog number	List price	Catalog number	List price
43	2.2	2.1	6/CC	8	C64G2.2-3FI	\$ 225	C64R2.2-3FI	\$ 236	C64D2.2-3FI	\$ 236
	3	2.9	8/CC	8	C64G3-3FI	231	C64R3-3FI	242	C64D3-3FI	242
	4	3.8	10/CC	8	C64G4-3FI	236	C64R4-3FI	247	C64D4-3FI	247
	5	4.8	12/CC	8	C64G5-3FI	247	C64R5-3FI	258	C64D5-3FI	258
	7.5	7.2	20/CC	8	C64G7.5-3FI	279	C64R7.5-3FI	290	C64D7.5-3FI	290
	10	9.6	25/CC	8	C64G10-3FI	300	C64R10-3FI	311	C64D10-3FI	311
	14	13.5	40/T	13	C64G14-3FI	321	C64R14-3FI	332	C64D14-3FI	332
	15	14.4	45/T	13	C64G15-3FI	332	C64R15-3FI	343	C64D15-3FI	343
	17.5	16.8	50/T	13	C64G17.5-3FI	375	C64R17.5-3FI	386	C64D17.5-3FI	386
	20	19.2	60/T	13	C64G20-3FI	428	C64R20-3FI	439	C64D20-3FI	439
53	25	24.1	50/KGJ	14	C65G25-3FI	450	C65R25-3FI	461	C65D25-3FI	461
	30	28.9	60/KGJ	14	C65G30-3FI	503	C65R30-3FI	514	C65D30-3FI	514
	35	33.7	75/KGJ	25	C65G35-3FI	557	C65R35-3FI	568	C65D35-3FI	568
	40	38.5	80/KGJ	25	C65G40-3FI	616	C65R40-3FI	627	C65D40-3FI	627
	45	43.3	100/KGJ	25	C65G45-3FI	642	C65R45-3FI	653	C65D45-3FI	653
	50	48.1	125/KGJ	35	C65G50-3FI	696	C65R50-3FI	707	C65D50-3FI	707
63	60	57.7	125/KGJ	37	C66G60-3FI	749	C66R60-3FI	760	C66D60-3FI	760
	70	67.4	150/KGJ	39	C66G70-3FI	803	C66R70-3FI	814	C66D70-3FI	814
	75	72.3	175/KGJ	39	C66G75-3FI	830	C66R75-3FI	841	C66D75-3FI	841
	80	77.0	175/KGJ	39	C66G80-3FI	910	C66R80-3FI	921	C66D80-3FI	921
83	90	86.6	200/KGJ	56	C68G90-3FI	1001	C68R90-3FI	1012	C68D90-3FI	1012
	95	91.4	200/KGJ	56	C68G95-3FI	1022	C68R95-3FI	1033	C68D95-3FI	1033
	100	96.2	225/KGJ	56	C68G100-3FI	1044	C68R100-3FI	1055	C68D100-3FI	1055
	105	101.0	250/KGJ	59	C68G105-3FI	1322	C68R105-3FI	1333	C68D105-3FI	1333
	110	105.8	250/KGJ	61	C68G110-3FI	1359	C68R110-3FI	1370	C68D110-3FI	1370
	115	110.7	250/KGJ	76	C68G115-3FI	1404	C68R115-3FI	1415	C68D115-3FI	1415
	120	115.5	250/KGJ	76	C68G120-3FI	1440	C68R120-3FI	1451	C68D120-3FI	1451
	125	120.3	250/KGJ	76	C68G125-3FI	1570	C68R125-3FI	1581	C68D125-3FI	1581
	130	125.1	250/KGJ	76	C68G130-3FI	1635	C68R130-3FI	1646	C68D130-3FI	1646
	135	129.1	250/KGJ	76	C68G135-3FI	1650	C68R135-3FI	1661	C68D135-3FI	1661

**NOTE:** ABB's patented IPE design eliminates the need for additional overcurrent protection when capacitors are electrically connected on the load side of a motor starter circuit breaker or fusible disconnect switch.

Availability to be announced.  
Please consult ABB



## Individual capacitors Pump jack 240 & 480 Volt, 60 Hz



The CLMD-PJ capacitor is ideally suited for oil-field pumping units and other outdoor applications. Standard features include:

- Outdoor, weatherproof enclosure
- 4 feet of 10 gauge, 4-conductor wire for ease of installation
- Convenient pole-mounting design
- Lightweight, totally dry construction

### Steel enclosure – 240 Volt, 60 Hz, 3 phase

Enclosure size	kvar rating	Approx. weight (lbs.)	Catalog number	List price
43	2.5	8	P24R2.5	<b>\$ 220</b>
	3.5	8	P24R3.5	<b>241</b>
	5	8	P24R5	<b>273</b>
	10	8	P24R10	<b>305</b>
	12.5	13	P24R12.5	<b>364</b>
	14	8	P24R14	<b>412</b>
	15	8	P24R15	<b>434</b>

### 208 Volt availability

For 208 volt applications, derate the 240V capacitors. The kvar at 208V will be .75 times the kvar at 240V.

### Steel enclosure – 480 Volt, 60 Hz, 3 phase

Enclosure size	kvar rating	Approx. weight (lbs.)	Catalog number	List price
43	1.5	8	P44R1.5	<b>\$ 193</b>
	2	8	P44R2	<b>198</b>
	3	8	P44R3	<b>209</b>
	4	8	P44R4	<b>220</b>
	5	8	P44R5	<b>231</b>
	6	8	P44R6	<b>241</b>
	7.5	8	P44R7.5	<b>247</b>
	10	8	P44R10	<b>257</b>
	15	8	P44R15	<b>289</b>
	20	13	P44R20	<b>370</b>
	21	13	P44R21	<b>380</b>
	22.5	13	P44R22.5	<b>402</b>
	25	13	P44R25	<b>423</b>
	27	13	P44R27	<b>445</b>
	30	13	P44R30	<b>477</b>

**NOTE:** ABB's patented IPE design eliminates the need for additional overcurrent protection when capacitors are electrically connected on the load side of a motor starter circuit breaker or fusible disconnect switch.

Availability to be announced.  
Please consult ABB

## Individual capacitors

### Type CLMD-13

### 208, 240, 480 & 600 Volt, 60 Hz



The CLMD-13 capacitor is ideally suited for use in motor control centers, control panels and other indoor applications. Standard features include:

- Indoor, steel enclosure
- Easy electrical connection by means of a terminal block mounted on top of the capacitor enclosure (#4 — #18GA)
- Convenient ground lug mounted on top of the capacitor enclosure
- Mounting feet for easy installation
- Lightweight, small dimensions, totally dry construction
- Options and accessories include remote state indication

#### 208 Volt, 60 Hz, 3 phase

Enclosure size	kvar rating	Rated current per phase (amps)	Approx. shipping weight (lbs)	Enclosure type	
				Indoor — NEMA 1	
				Catalog number	List price
13	0.8	2.2	6	C11G0.8	\$ 124
	1.1	3.1	6	C11G1.1	129
	2	5.6	6	C11G2	150
	2.5	6.9	6	C11G2.5	161
	3	8.3	6	C11G3	177
	4	11.1	6	C11G4	198
	5	13.9	6	C11G5	241
	7.5	20.8	6	C11G7.5	273

#### 600 Volt, 60 Hz, 3 phase

Enclosure size	kvar rating	Rated current per phase (amps)	Approx. shipping weight (lbs)	Enclosure type	
				Indoor — NEMA 1	
				Catalog number	List price
13	2	1.9	6	C61G2	\$ 145
	3	2.9	6	C61G3	150
	4	3.8	6	C61G4	156
	5	4.8	6	C61G5	166
	7.5	7.2	6	C61G7.5	177
	10	9.6	6	C61G10	193
	15	14.4	6	C61G15	220

#### 240 Volt, 60 Hz, 3 phase

Enclosure size	kvar rating	Rated current per phase (amps)	Approx. shipping weight (lbs)	Enclosure type	
				Indoor — NEMA 1	
				Catalog number	List price
13	1	2.4	6	C21G1	\$ 118
	1.5	3.6	6	C21G1.5	124
	2	4.8	6	C21G2	129
	2.5	6.0	6	C21G2.5	145
	3.5	8.4	6	C21G3.5	161
	5	12.0	6	C21G5	172
	7.5	18.0	6	C21G7.5	220
	10	24.1	6	C21G10	257

#### Options

Type	Catalog number suffix ①	List price adder
Remote state indication two LEDs	-2L	\$ 65

**NOTE: ABB's patented IPE design eliminates the need for additional overcurrent protection when capacitors are electrically connected on the load side of a motor starter circuit breaker or fusible disconnect switch.**

#### 480 Volt, 60 Hz, 3 phase

Enclosure size	kvar rating	Rated current per phase (amps)	Approx. shipping weight (lbs)	Enclosure type	
				Indoor — NEMA 1	
				Catalog number	List price
13	0.9	1.1	6	C41G0.9	\$ 118
	1.5	1.8	6	C41G1.5	129
	2	2.4	6	C41G2	134
	2.5	3.0	6	C41G2.5	140
	3.5	4.2	6	C41G3.5	156
	4	4.8	6	C41G4	158
	5	6.0	6	C41G5	166
	6	7.2	6	C41G6	172
	7.5	9.0	6	C41G7.5	177
	8	9.6	6	C41G8	182
	9	10.8	6	C41G9	188
	10	12.0	6	C41G10	193
	14	16.8	6	C41G14	204
	15	18.0	6	C41G15	214
	17	20.4	6	C41G17	225

Availability to be announced.  
Please consult ABB

① Add suffix to end of catalog number.

## Individual capacitors Type CLMD-13SC, Stud connected 208, 240, 480 & 600 Volt, 60 Hz



The CLMD-13SC (Stud Connected) capacitor is ideally suited for use in motor control centers, control panels and other indoor applications. Standard features include:

- Indoor, steel enclosure with cover
- Three stud terminals for electrical connection or capacitor parallel bus bar connection
- Mounting feet for easy capacitor installation
- Lightweight, small dimensions, totally dry construction
- Accessories include bus bar kits for capacitor parallel connection

### 208 Volt, 60 Hz, 3 phase

Enclosure size	kvar rating	Rated current per phase (amps)	Approx. shipping weight (lbs)	Enclosure type	
				Indoor — NEMA 1	
				Catalog number	List price
13	0.8	2.2	6	C11G0.8SC	\$ 136
	1.1	3.1	6	C11G1.1SC	142
	2	5.6	6	C11G2SC	152
	2.5	6.9	6	C11G2.5SC	163
	3	8.3	6	C11G3SC	179
	4	11.1	6	C11G4SC	211
	5	13.9	6	C11G5SC	254
	7.5	20.8	6	C11G7.5SC	286

### 600 Volt, 60 Hz, 3 phase

Enclosure size	kvar rating	Rated current per phase (amps)	Approx. shipping weight (lbs)	Enclosure type	
				Indoor — NEMA 1	
				Catalog number	List price
13	2	1.9	6	C61G2SC	\$ 147
	3	2.9	6	C61G3SC	163
	4	3.8	6	C61G4SC	168
	5	4.8	6	C61G5SC	179
	7.5	7.2	6	C61G7.5SC	190
	10	9.6	6	C61G10SC	206
	15	14.4	6	C61G15SC	233

### 240 Volt, 60 Hz, 3 phase

Enclosure size	kvar rating	Rated current per phase (amps)	Approx. shipping weight (lbs)	Enclosure type	
				Indoor — NEMA 1	
				Catalog number	List price
13	1	2.4	6	C21G1SC	\$ 131
	1.5	3.6	6	C21G1.5SC	147
	2	4.8	6	C21G2SC	152
	2.5	6.0	6	C21G2.5SC	158
	3.5	8.4	6	C21G3.5SC	174
	5	12.0	6	C21G5SC	185
	7.5	18.0	6	C21G7.5SC	233
	10	24.1	6	C21G10SC	270

**NOTE:** ABB's patented IPE design eliminates the need for additional overcurrent protection when capacitors are electrically connected on the load side of a motor starter circuit breaker or fusible disconnect switch.

### 480 Volt, 60 Hz, 3 phase

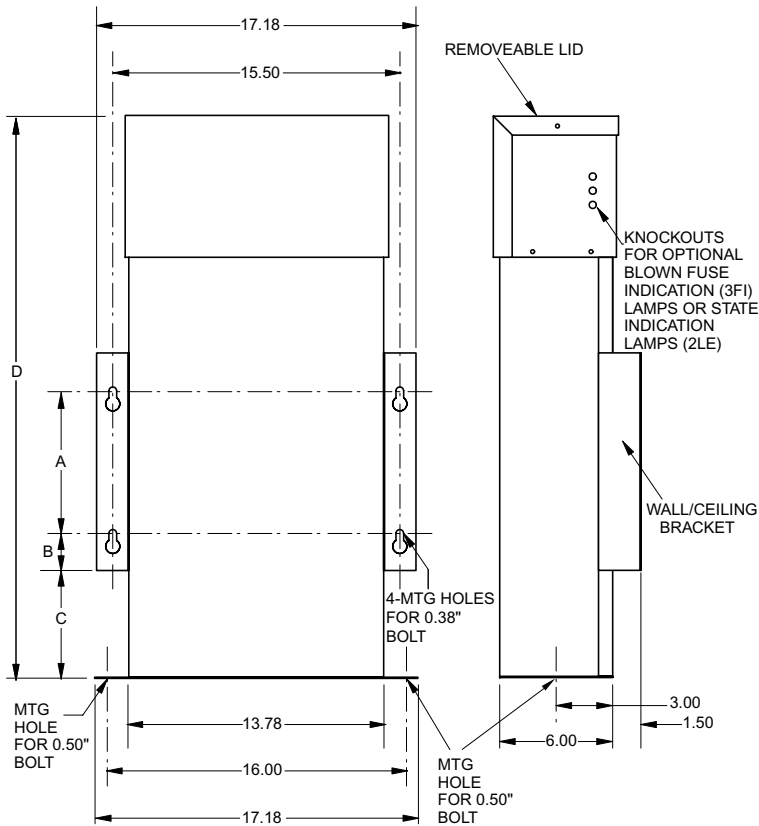
Enclosure size	kvar rating	Rated current per phase (amps)	Approx. shipping weight (lbs)	Enclosure type	
				Indoor — NEMA 1	
				Catalog number	List price
13	0.9	1.1	6	C41G0.9SC	\$ 131
	1.5	1.8	6	C41G1.5SC	142
	2	2.4	6	C41G2SC	147
	2.5	3.0	6	C41G2.5SC	152
	3.5	4.2	6	C41G3.5SC	168
	4	4.8	6	C41G4SC	171
	5	6.0	6	C41G5SC	179
	6	7.2	6	C41G6SC	185
	7.5	9.0	6	C41G7.5SC	190
	8	9.6	6	C41G8SC	195
	9	10.8	6	C41G9SC	201
	10	12.0	6	C41G10SC	206
	14	16.8	6	C41G14SC	217
	15	18.0	6	C41G15SC	227
	17	20.4	6	C41G17SC	238

Availability to be announced.  
Please consult ABB

## Approximate dimensions Individual capacitors

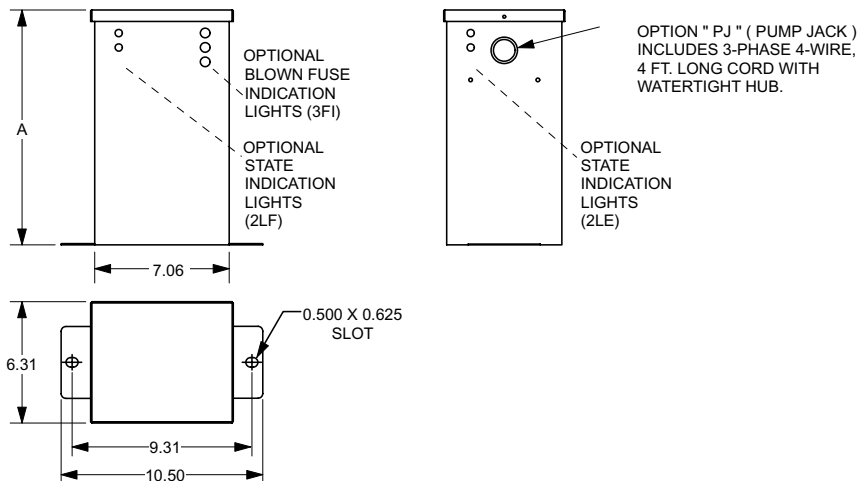
← 00.00 → Inches

### Individual units



INDIVIDUAL CAPACITOR UNITS				
ENCLOSURE SIZE	A	B	C	D
CLMD-53	4.25	1.50	1.19	16.25
CLMD-63	4.25	1.50	4.69	23.20
CLMD-83	7.50	2.00	6.00	30.50

### Steel, enclosure size 43



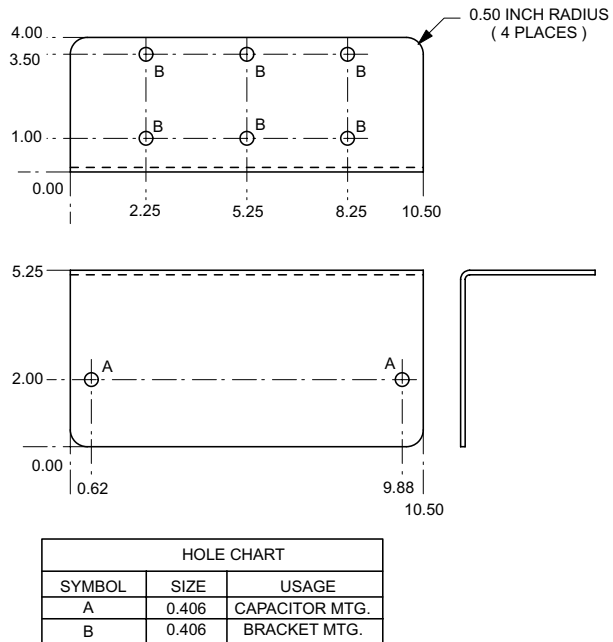
19

Availability to be announced.  
Please consult ABB

# Approximate dimensions Individual capacitors

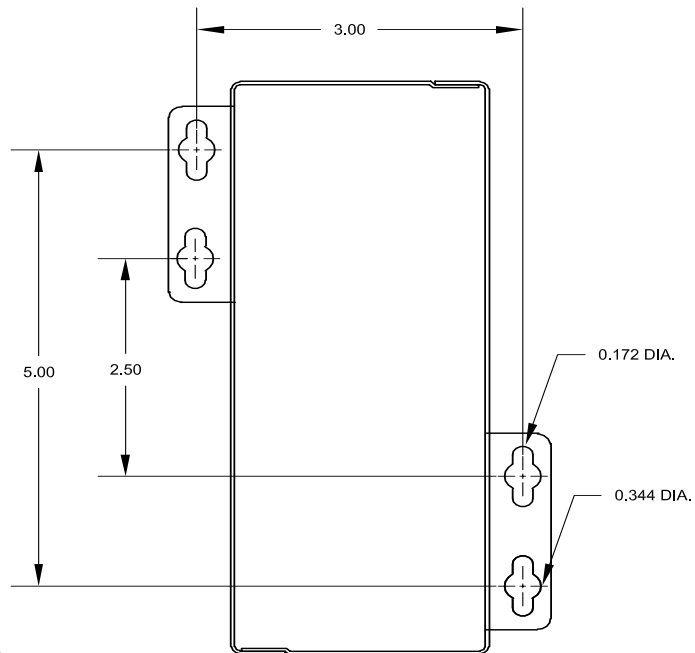
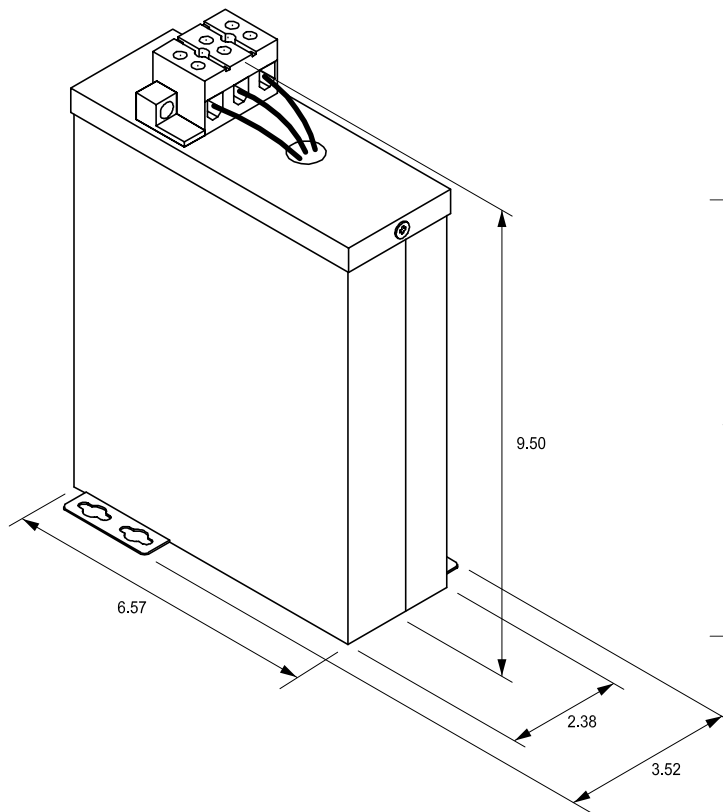
← 00.00 → Inches

## Pole mounting bracket for "PJ" (pump jack) capacitors



## CLMD-13

## CLMD-13 Drill plan

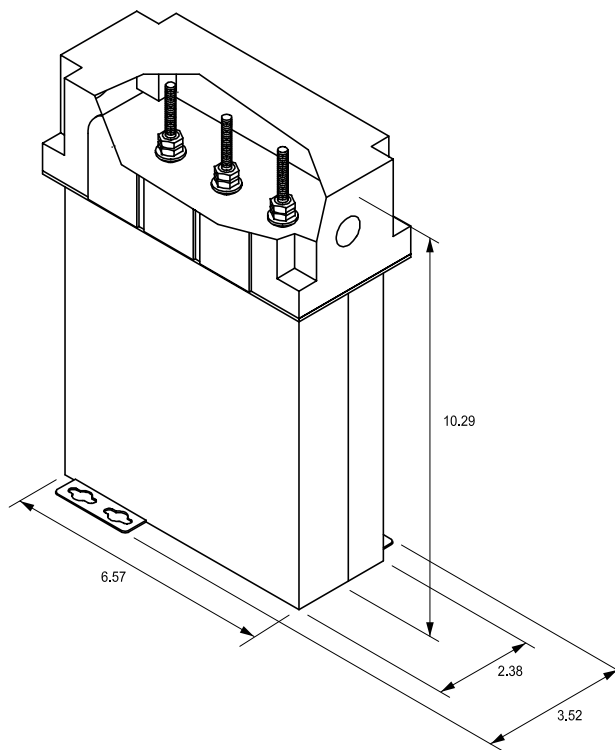


Availability to be announced.  
Please consult ABB

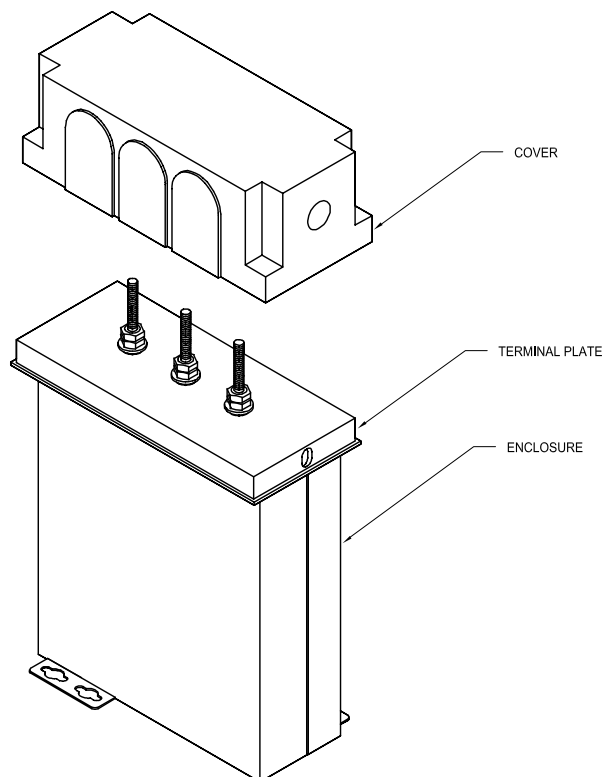
## Approximate dimensions Individual capacitors

← 00.00 → Inches

### CLMD-13SC — stud connected



### CLMD-13SC — expanded view



Availability to be announced.  
Please consult ABB