

Fixed capacitor banks

3 phase, Internally Protected Elements

240 & 480 Volt, 60 Hz



F26G250

Suitable for direct compensation where fixed power factor correction is desired.

Features include:

- Dry environmentally safe construction
- Self healing capability
- Patented Internal Protected Elements
- Individual capacitors connected by bus bar
- Indoor, dusttight or raintight enclosure
- NEMA 1, 3R, 12
- Easy mounting
- Easy electrical connection to large terminals
- Convenient grounding lug

240 Volt, 60 Hz — 3 phase

Enclosure size	kvar rating 1	Qty / kvar	Approx. shipping weight (lbs.)	Enclosure type					
				Indoor – NEMA 1		Outdoor – NEMA 3R		Indoor – NEMA 12	
				Catalog number	List price	Catalog number	List price	Catalog number	List price
63	70	2/35	155	F26G70	\$ 1375	F26R70	\$ 1815	F26D70	\$ 1424
	80	1/35, 1/40	155	F26G80	1563	F26R80	1612	F26D80	1612
	90	2/45	155	F26G90	1766	F26R90	1815	F26D90	1815
	100	2/50	155	F26G100	1873	F26R100	1922	F26D100	1922
	110	2/55	155	F26G110	2087	F26R110	2136	F26D110	2136
	120	2/60	155	F26G120	2247	F26R120	2296	F26D120	2296
	130	1/40, 2/45	200	F26G130	2461	F26R130	2510	F26D130	2510
	150	3/50	200	F26G150	2622	F26R150	2671	F26D150	2671
	160	2/80	155	F26G160	2996	F26R160	3045	F26D160	3045
	180	3/60	235	F26G180	3210	F26R180	3259	F26D180	3259
	200	4/50	310	F26G200	3745	F26R200	3794	F26D200	3794
	250	5/50	370	F26G250	4815	F26R250	4864	F26D250	4864
	300	5/60	370	F26G300	5457	F26R300	5506	F26D300	5506

480 Volt, 60 Hz — 3 phase

Enclosure size	kvar rating 1	Qty / kvar	Approx. shipping weight (lbs.)	Enclosure type					
				Indoor – NEMA 1		Outdoor – NEMA 3R		Indoor – NEMA 12	
				Catalog number	List price	Catalog number	List price	Catalog number	List price
63	125	1–55/1–70	125	F46G125	\$ 1301	F46R125	\$ 1350	F46D125	\$ 1350
	130	2/65	125	F46G130	1375	F46R130	1424	F46D130	1424
	140	2/70	125	F46G140	1429	F46R140	1478	F46D140	1478
	150	2/75	125	F46G150	1450	F46R150	1499	F46D150	1499
83	160	2/80	155	F48G160	1520	F48R160	1569	F48D160	1569
	175	2/87.5	155	F48G175	1622	F48R175	1671	F48D175	1671
	180	2/90	155	F48G180	1734	F48R180	1783	F48D180	1783
	200	2/100	155	F48G200	1841	F48R200	1890	F48D200	1890
63	220	1–70/2–75	200	F46G220	1980	F46R220	2029	F46D220	2029
	225	3/75	200	F46G225	2082	F46R225	2131	F46D225	2131
83	240	3/80	235	F48G240	2162	F48R240	2211	F48D240	2211
	250	1–90/2–80	235	F48G250	2328	F48R250	2377	F48D250	2377
	260	2–90/1–80	235	F48G260	2461	F48R260	2510	F48D260	2510
	280	1– 00/2–90	235	F48G280	2568	F48R280	2617	F48D280	2617
	300	3/100	235	F48G300	2675	F48R300	2724	F48D300	2724
	350	4/87.5	310	F48G350	2996	F48R350	3045	F48D350	3045
	360	4/90	310	F48G360	3210	F48R360	3259	F48D360	3259
	400	4/100	310	F48G400	3638	F48R400	3687	F48D400	3687
	450	5/90	370	F48G450	4334	F48R450	4383	F48D450	4383
	475	5/95	370	F48G475	4601	F48R475	4650	F48D475	4650
	500	5/100	370	F48G500	4815	F48R500	4864	F48D500	4864
	600	6/100	450	F48G600	5457	F48R600	5506	F48D600	5506

208 Volt availability

For 208 volt applications, derate the 240V capacitors. The kvar at 208V will be .75 times the kvar at 240V.

NOTE: ABB's patented IPE design eliminates the need for additional overcurrent protection when capacitors are electrically connected on the load side of a motor starter circuit breaker or fusible disconnect switch.

Availability to be announced.
Please consult ABB

① For additional kvar ratings not listed above, please consult factory.

Fixed capacitor banks 3 Phase Internally Protected Elements 600Volt, 60Hz

600 volt, 60Hz — 3 phase

Enclosure size	kvar rating ①	Qty / kvar	Approx. shipping weight (lbs.)	Enclosure type					
				Indoor – NEMA 1		Outdoor – NEMA 3R		Indoor – NEMA 12	
				Catalog number	List price	Catalog number	List price	Catalog number	List price
63	160	2/80	155	F66G160	\$ 1605	F66R160	\$ 1654	F66D160	\$ 1654
83	200	2/100	155	F68G200	1926	F68R200	1975	F68D200	1975
63	240	3/80	195	F66G240	2354	F66R240	2403	F66D240	2403
83	270	3/90	230	F68G270	2675	F68R270	2724	F68D270	2724
	300	3/100	230	F68G300	2889	F68R300	2938	F68D300	2938
63	320	4/80	250	F66G320	3050	F66R320	3099	F66D320	3099
83	350	4/87.5	275	F68G350	3210	F68R350	3259	F68D350	3259
	360	4/90	275	F68G360	3371	F68R360	3420	F68D360	3420
	400	4/100	275	F68G400	3959	F68R400	4008	F68D400	4008
	500	5/100	375	F68G500	5564	F68R500	5613	F68D500	5613
	600	6/100	450	F68G600	6420	F68R600	6469	F68D600	6469

Capacitor state indication system

240V kvar	480V & 600V kvar	Catalog number suffix	List price adder
90 – 120	125 – 200	-2LE	\$ 225
130 – 180	210 – 300		338
200	320 – 400		450
250 – 300	450 – 500		562
—	600		675

The capacitor state indication system consists of two yellow LED lights which illuminate only when the capacitor is energized and functioning at 65% or more of its rated kvar capacity.

The two light system will indicate a failure in any one of the three phases of the capacitor.

Wall mounting assemblies

Type	Catalog number	List price adder
Wall mounting kit, 2 – 6 units per bank	FBWM	\$ 500

NOTE: ABB's patented IPE design eliminates the need for additional overcurrent protection when capacitors are electrically connected on the load side of a motor starter circuit breaker or fusible disconnect switch.

Availability to be announced.
Please consult ABB

① For additional kvar ratings not listed above, please consult factory.

Fixed capacitor banks

3 Phase, 240 & 480 Volt, 60 Hz

with three fuses and blown fuse indicators



F26G250-3FI

ABB low voltage capacitors are fully protected by the three levels of protection offered by the patented Sequential Protection System which includes dry self-healing capacitors, internally protected elements and the dry non-flammable vermiculite filler. However, some users have traditionally requested external fuses and blown fuse indicators, so these modified units are offered for those applications.

Features include:

- Dry, environmentally safe construction
- Self healing capability
- Patented Internal Protected Elements
- Individual capacitors connected by bus bar
- NEMA 1, 3R, 12
- Easy mounting
- Easy electrical connection to large terminals
- Convenient grounding lug
- Each individual capacitor includes three fuses and three blown fuse indication lamps

240 Volt, 60 Hz – 3 phase

Enclosure size	kvar rating ^①	Qty / kvar	Approx. shipping weight (lbs.)	Enclosure type					
				Indoor – NEMA 1		Outdoor – NEMA 3R		Indoor – NEMA 12	
				Catalog number	List price	Catalog number	List price	Catalog number	List price
63	70	2/35	135	F26G70-3FI	\$ 1625	F26R70-3FI	\$ 1674	F26D70-3FI	\$ 1674
	80	2/40	135	F26G80-3FI	1846	F26R80-3FI	1895	F26D80-3FI	1895
	90	2/45	135	F26G90-3FI	2087	F26R90-3FI	2136	F26D90-3FI	2136
	100	2/50	135	F26G100-3FI	2408	F26R100-3FI	2457	F26D100-3FI	2457
	110	2/55	135	F26G110-3FI	2568	F26R110-3FI	2617	F26D110-3FI	2617
	120	2/60	135	F26G120-3FI	2729	F26R120-3FI	2778	F26D120-3FI	2778
	130	1/40, 2/45	200	F26G130-3FI	2943	F26R130-3FI	2992	F26D130-3FI	2992
	150	3/50	200	F26G150-3FI	3210	F26R150-3FI	3259	F26D150-3FI	3259
	160	2/80	155	F26G160-3FI	3424	F26R160-3FI	3473	F26D160-3FI	3473
	180	3/60	235	F26G180-3FI	3745	F26R180-3FI	3794	F26D180-3FI	3794
	200	4/50	310	F26G200-3FI	4173	F26R200-3FI	4222	F26D200-3FI	4222
	250	5/50	370	F26G250-3FI	5243	F26R250-3FI	5292	F24D250-3FI	5292
300	5/60	370	F26G300-3FI	5778	F26R300-3FI	5827	F24D300-3FI	5827	

480 Volt, 60 Hz – 3 phase

Enclosure size	kvar rating ^①	Qty / kvar	Approx. shipping weight (lbs.)	Enclosure type					
				Indoor – NEMA 1		Outdoor – NEMA 3R		Indoor – NEMA 12	
				Catalog number	List price	Catalog number	List price	Catalog number	List price
63	125	1–55/1–70	135	F46G125-3FI	\$ 1525	F46R125-3FI	\$ 1574	F46D125-3FI	\$ 1574
	130	2/65	135	F46G130-3FI	1579	F46R130-3FI	1628	F46D130-3FI	1628
	140	2/70	135	F46G140-3FI	1605	F46R140-3FI	1654	F46D140-3FI	1654
	150	2/75	135	F46G150-3FI	1686	F46R150-3FI	1735	F46D150-3FI	1735
83	160	2/80	155	F48G160-3FI	1766	F48R160-3FI	1815	F48D160-3FI	1815
	175	2/87.5	155	F48G175-3FI	1873	F48R175-3FI	1922	F48D175-3FI	1922
	180	2/90	155	F48G180-3FI	1926	F48R180-3FI	1975	F48D180-3FI	1975
	200	2/100	155	F48G200-3FI	2033	F48R200-3FI	2082	F48D200-3FI	2082
63	220	1–70/2–75	200	F46G220-3FI	2274	F46R220-3FI	2323	F46D220-3FI	2323
	225	3/75	200	F46G225-3FI	2435	F46R225-3FI	2484	F46D225-3FI	2484
83	240	3/80	235	F48G240-3FI	2515	F48R240-3FI	2564	F48D240-3FI	2564
	250	1–90/2–80	235	F48G250-3FI	2675	F48R250-3FI	2724	F48D250-3FI	2724
	260	2–90/1–80	235	F48G260-3FI	2782	F48R260-3FI	2831	F48D260-3FI	2831
	280	1–100/2–90	235	F48G280-3FI	2889	F48R280-3FI	2938	F48D280-3FI	2938
	300	3/100	235	F48G300-3FI	2996	F48R300-3FI	3045	F48D300-3FI	3045
	350	4/87.5	310	F48G350-3FI	3531	F48R350-3FI	3580	F48D350-3FI	3580
	360	4/90	310	F48G360-3FI	3692	F48R360-3FI	3741	F48D360-3FI	3741
	400	4/100	310	F48G400-3FI	4173	F48R400-3FI	4222	F48D400-3FI	4222
	450	5/90	370	F48G450-3FI	4869	F48R450-3FI	4918	F48D450-3FI	4918
	475	5/95	370	F48G475-3FI	5243	F48R475-3FI	5292	F48D475-3FI	5292
	500	5/100	370	F48G500-3FI	5564	F48R500-3FI	5613	F48D500-3FI	5613
	600	6/100	450	F48G600-3FI	6099	F48R600-3FI	6148	F48D600-3FI	6148

208 Volt availability

For 208 volt applications, derate the 240V capacitors. The kvar at 208V will be .75 times the kvar at 240V.

NOTE: ABB's patented IPE design eliminates the need for additional overcurrent protection when capacitors are electrically connected on the load side of a motor starter circuit breaker or fusible disconnect switch.

Availability to be announced.
Please consult ABB

① For additional kvar ratings not listed above, please consult factory.

Fixed capacitor banks

3 phase, 600 Volt, 60 Hz

with three fuses and blown fuse indicators

600 volt, 60Hz – 3 phase

Enclosure size	kvar rating ^①	Qty / kvar	Approx. shipping weight (lbs.)	Enclosure type					
				Indoor – NEMA 1		Outdoor – NEMA 3R		Indoor – NEMA 12	
				Catalog number	List price	Catalog number	List price	Catalog number	List price
63	160	2/80	155	F66G160-3FI	\$ 1819	F66R160-3FI	\$ 1868	F66D160-3FI	\$ 1868
83	200	2/100	155	F68G200-3FI	2140	F68R200-3FI	2189	F68D200-3FI	2189
63	240	3/80	195	F66G240-3FI	2675	F66R240-3FI	2724	F66D240-3FI	2724
83	270	3/90	230	F68G270-3FI	2943	F68R270-3FI	2992	F68D270-3FI	2992
	300	3/100	230	F68G300-3FI	3210	F68R300-3FI	3259	F68D300-3FI	3259
63	320	4/80	250	F66G320-3FI	3424	F66R320-3FI	3473	F66D320-3FI	3473
83	350	4/87.5	275	F68G350-3FI	3745	F68R350-3FI	3794	F68D350-3FI	3794
	360	4/90	275	F68G360-3FI	4013	F68R360-3FI	4062	F68D360-3FI	4062
	400	4/100	275	F68G400-3FI	4280	F68R400-3FI	4329	F68D400-3FI	4329
	500	5/100	375	F68G500-3FI	6420	F68R500-3FI	6469	F68D500-3FI	6469
	600	6/100	450	F68G600-3FI	7490	F68R600-3FI	7539	F68D600-3FI	7539

Capacitor state indication system

240V kvar	480V & 600V kvar	Catalog number suffix	List price adder
90 – 120	125 – 200	-2LE	\$ 225
130 – 180	210 – 300		338
200	320 – 400		450
250 – 300	450 – 500		562
—	600		675

The capacitor state indication system consists of two yellow LED lights which illuminate only when the capacitor is energized and functioning at 65% or more of its rated kvar capacity.

The two light system will indicate a failure in any one of the three phases of the capacitor.

Wall mounting assemblies^②

Type	Catalog number	List price adder
Wall mounting kit, 2 – 6 units per bank	FBWM	\$ 500

NOTE: ABB's patented IPE design eliminates the need for additional overcurrent protection when capacitors are electrically connected on the load side of a motor starter circuit breaker or fusible disconnect switch.

Availability to be announced.
Please consult ABB

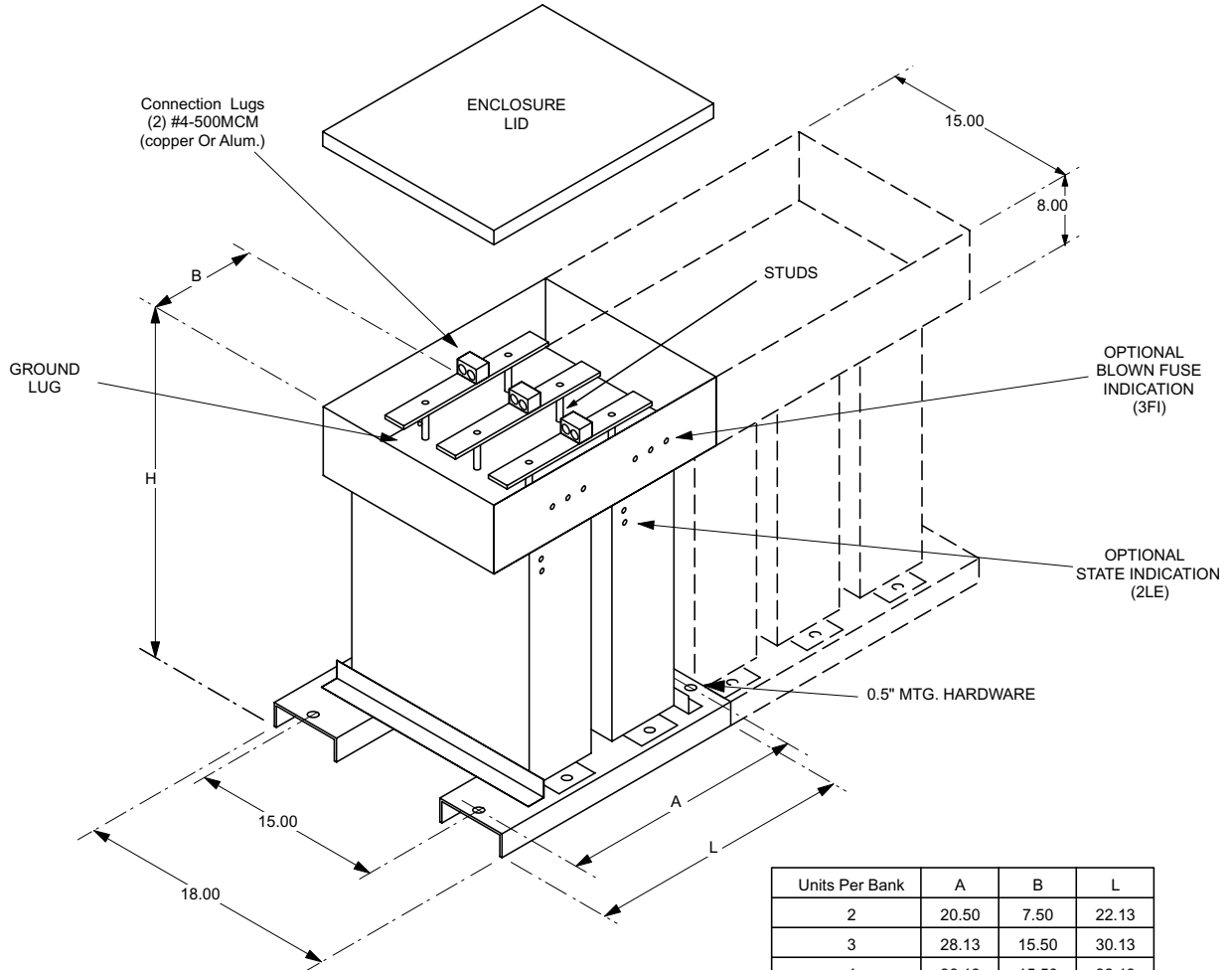
^① For additional kvar ratings not listed above, please consult factory.

Approximate dimensions Fixed capacitor banks

Low Voltage
Network Quality

← 00.00 → Inches

Fixed capacitor banks



Units Per Bank	A	B	L
2	20.50	7.50	22.13
3	28.13	15.50	30.13
4	36.13	15.50	38.13
5	44.13	15.50	46.13
6	44.13	22.50	54.13

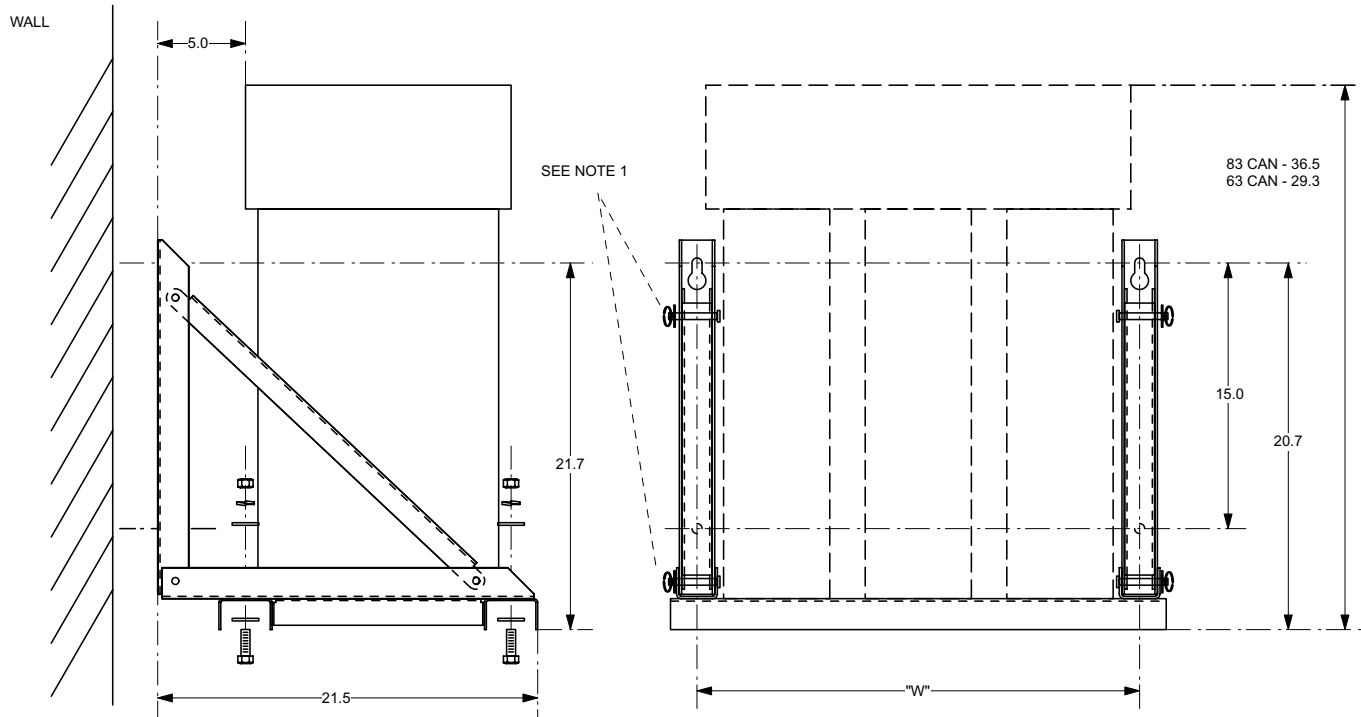
Unit Size	H
CLMD-53	22.50
CLMD-63	29.50
CLMD-83	36.50

Availability to be announced.
Please consult ABB

Approximate dimensions Fixed capacitor banks

←00.00→ Inches

Fixed bank wall mounting



NOTE 1: POSITION SPLIT RINGS TOWARD OUTSIDE OF BANK

NO. OF CAPS	MTG WIDTH "W"
2	17.0
3	25.0
4	33.0
5	41.0
6	49.0

MOUNT CAPACITOR ASSEMBLY TO WALL USING FOUR (4) 1/2" BOLTS. "KEY HOLE" MOUNTING HOLES ARE PROVIDED AT TOP OF MOUNTING BRACKETS.

WALL MOUNTING BRACKETS ARE ATTACHED TO FIXED BANK USING FOUR (4) 1/2-13 X 1.25" BOLTS AS SHOWN. TORQUE HARDWARE TO 50 LBS-FT.

Availability to be announced.
Please consult ABB