



B/W Series 5510 Control Modules were developed especially to provide an intrinsically safe and economical means of detecting and controlling a wide range of processing variables in areas containing explosive atmospheric mixtures.

Tested and listed by UL for use in applications involving Class I, II, and III locations, these compact solid-state modules are designed to prevent an external probe or pilot control circuit from releasing sufficient electrical energy to ignite even the most flammable gases or vapors classified in Groups A, B, C, and D, and combustible dusts or fibers classified in Groups E, F, and G.

Installation Options -- When mounted in an approved explosion-proof enclosure, B/W Series 5510 Modules can be located within a hazardous area, providing the power wiring to the module and from the load contacts is installed in accordance with applicable codes for the location. The most economical method of installation, however, is to mount the module in a non-hazardous environment and run the external control circuit through an approved seal to a pilot device or level sensing electrodes in the hazardous area as shown on page 2.

This permits use of low-cost general purpose enclosures for both the module and pilot device. Ordinary wires in conduit or an approved cable can be used for the intrinsically safe probe or pilot control circuit. Moreover, the distance between the Series 5510 Module and the pilot device can be 1,000 feet or more, depending on resistance and capacitance of the wires used for the external control circuit. Refer to the chart on this page for maximum lead wire lengths.

Module Types and Options -- B/W Series 5510 Module can be supplied for either 120 volt or 240 volt 50/60 Hz. incoming line voltage and can be supplied open chassis or in a NEMA 1, NEMA 4, NEMA 7 or NEMA 12 enclosure.

Failsafe Relay Contacts -- The 5510 Module uses two electromechanical relays K1 and K2 for its output contacts in order to provide the most reliable and versatile output functions.

One standard module can be used for pump up, pump down, high alarm, or low alarm functions. While providing the necessary control functions, the module can also provide the power failure release for pump or alarm circuits.

Load relay K1 is energized when power is first applied to the 5510 Module. Load relay K2 is energized when the sensing circuit is completed. This operation allows load circuits to open or close on power loss to the 5510 Module as needed (i.e. pump circuits open, alarm contacts open or close on loss of power).

Intrinsically safe control circuit listed by Underwriters Laboratories for Class I, II, III; Division 1; Groups A, B, C, D, E, F, G hazardous locations.

BASIC SPECIFICATIONS

Voltage: 115 or 230 volts AC. 50/60 Hz.

Load Contacts: Single pole, double throw.

Contact Ratings: 10 amperes resistive load at 277 VAC or 30 VDC; 360va at 240 VAC - pilot duty; 1/3 Hp at 240 VAC, 1/4 Hp at 120 VAC.

Power Required: 2 volt - amp, 1.5 watts.

Control Circuit Energy: Inherently limited to less than 11.3 milliampere at 11.3 volts AC to assure intrinsically safe operation under any abnormal fault condition.

Module Sensitivity -- Operating sensitivity is important only in level control applications where the module is operated from electrodes and the liquid is used as a conductor to complete the external sensing circuit. Since liquid resistances vary, various operating sensitivities can be field installed. In such applications, the module must have a sensitivity greater than the specific resistance of the liquid being controlled. One or two sensitivity resistors of equal value should be selected from the package provided and installed according to the application drawings and chart. When operated from a B/W 7014 Unifloat® multi-level sensing system, 7010 Float Switch or other pilot switching device, a jumper wire(s) is recommended in place of the resistor(s).

Regardless of sensitivity ratings, all B/W Series 5510 Modules are designed to operate continuously with external probe or pilot circuit resistances as low as zero without damaging the module. This permits intrinsically safe operation at all times from electrodes or pilot switches.

SENSITIVITY RESISTOR (OHMS)	OPERATING SENSITIVITY	MAXIMUM LEAD WIRE LENGTHS	APPLICATION RECOMMENDATIONS
0-Jumper in place of Resistor	--	2,500 Feet	7014 Unifloat, 7010 Float Switch, other dry contacts
270	1,400 ohms	2,500 Feet	Strong or weak electrolytes, plating solutions ammonium hydroxide, borax, acetic acid
1,000	2,400 ohms	2,500 Feet	Most food processing applications; beer, wine, fruit juices, milk, buttermilk
3,900	5,900 ohms	2,500 Feet	Most water; highly corrosive acid or caustic solutions where current must be minimized to extend electrode life: hydrochloric acid, sulfuric acid, ect.
10,000	13,000 ohms	1,000 Feet	Water with medium to high mineral content, sewage, water soluble oil and starch solutions
22,000	26,400 ohms	450 Feet	Water with low mineral content; sugar syrup solutions
68,000	74,600 ohms	125 Feet	Deminerlized water (for distilled or deionized water - use 5200 H) steam condensate, corn syrup, strong alcohol solutions up to 50%

Service Bulletin

Construction

Designed to meet the most stringent intrinsic safety requirements, the 5110 Control Module has been encapsulated with an epoxy based thermoset. The key components inside the potted module are mounted on a circuit board consisting of a transformer, two output relays, a bipolar junction transistor, and a quad op-amp/comparator IC package.

Application

The 5510 Intrinsically Safe Control Module may be purchased in either 115 or 230 VAC models. The module is capable of performing control functions from a variety of NON-ENERGY emitting devices such as electrodes suspended in a well or tank, the B/W Unifloat level sensing system, float switches, or various pilot devices such as pressure, flow and limit switches, thermostats, push buttons, etc.

In addition, the operating characteristics are virtually unaffected by ambient temperatures ranging from -40 to 180F°, or by variations from 80 to 110% of their rated voltage. The control is furnished with fixed sensitivity resistors to permit adjustment of operation based on the resistance of the liquid to be controlled.

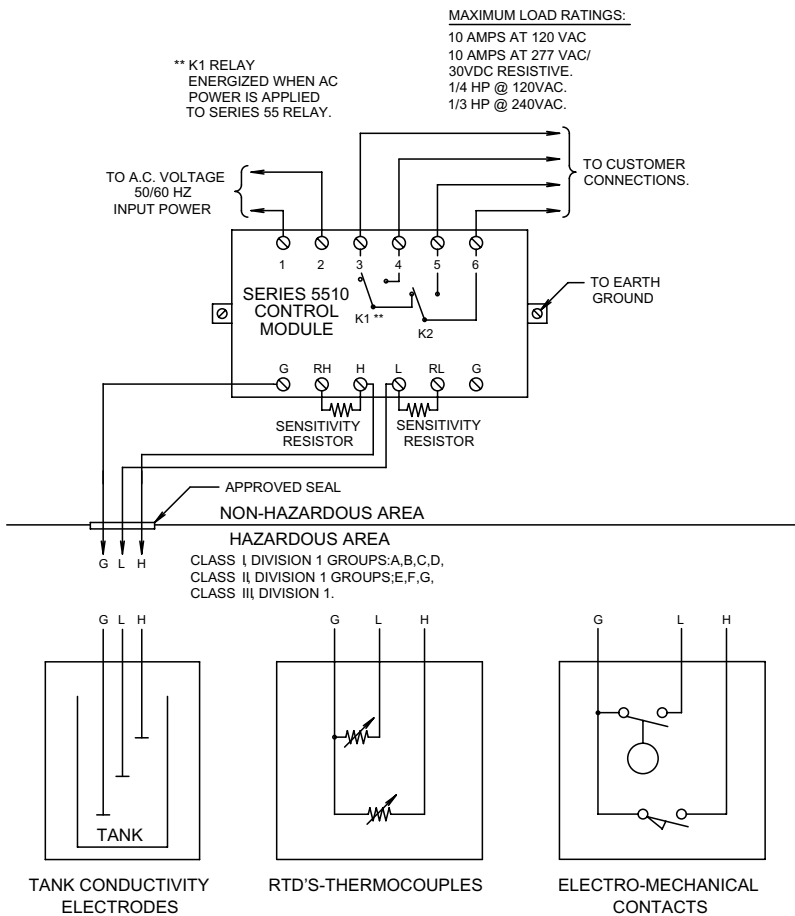
Operation

A customized current limiting transformer is used to convert the incoming line voltage into an 11.3 volt AC sensing circuit. The sensing circuit is comprised of a series of op-amp/comparators which compare the voltage created by the resistance of the liquid to the voltage created by an internal sensitivity resistor. Based on the comparison, the output of the op-amp/comparator either turns relay K2 on or off through a driving transistor. The AC sensing circuit will minimize electrolysis when used from electrodes for conductive liquid applications.

Multiple load relays are used in the design to allow control operations to open pump circuits, or open or close alarm circuits on power failure while maintaining proper functionality. This design feature provides better circuit design at lower cost.

A short time delay is designed into the module to eliminate nuisance tripping due to liquid wave action or other quickly cycling inputs.

Installation Drawing



NOTES:

- BEFORE PROCEEDING TO INSTALL AND WIRE THE CONTROL MODULE, READ AND THOROUGHLY UNDERSTAND THESE INSTRUCTIONS. FOR ADDITIONAL GUIDANCE ON INTRINSICALLY SAFE SYSTEMS, REFER TO NATIONAL ELECTRIC CODE (ANSI/NFPA70) ARTICLE 504.
- THE CONTROL MODULE MUST BE EITHER SITUATED IN A NON-HAZARDOUS AREA OR MOUNTED INSIDE A SUITABLE APPROVED EXPLOSION PROOF ENCLOSURE.
- INTRINSICALLY SAFE WIRING MUST BE KEPT SEPARATE FROM NON-INTRINSICALLY SAFE WIRING.
- THE CIRCUIT WIRING IN THE HAZARDOUS AREA SHOULD NOT EXCEED 3000 FEET. THIS DISTANCE LIMITATION IS BASED ON A CABLE WITH A SPECIFIC CAPACITANCE OF 60 pF/FT AND A SPECIFIC INDUCTANCE OF 0.2 uH/FT.
- AN APPROVED SEAL SHOULD BE USED AT THE POINT WHERE THE INTRINSICALLY SAFE CONTROL CIRCUIT WIRING ENTERS THE HAZARDOUS AREA.
- ONLY ONE 'G' WIRE IS REQUIRED IN THE HAZARDOUS AREA. (INTRINSICALLY SAFE 'G' TERMINALS ARE ELECTRONICALLY CONNECTED TOGETHER IN THE CONTROL MODULE)
- INTRINSICALLY SAFE CONNECTIONS MUST ONLY BE MADE TO NON-ENERGY GENERATING OR STORING DEVICES SUCH AS SWITCH CONTACTS, NON-INDUCTIVE RESISTANCE TEMPERATURE DEVICES (RTD'S) AND THERMOCOUPLES, OR ANY TANK CONDUCTIVITY ELECTRODE.
- THE RESISTANCE BETWEEN THE GROUNDING TAB ON THE CONTROL MODULE AND EARTH GROUND MUST BE LESS THAN ONE (1.0) OHM.
- ELECTRICAL EQUIPMENT CONNECTED TO THE ASSOCIATED APPARATUS MUST NOT USE OR GENERATE MORE THAN 250 Vrms WITH RESPECT TO EARTH GROUND.
- SELECT SENSITIVITY RESISTORS TO SET OPERATING POINT OF RESISTIVE INPUTS (SEE CHART IN SERVICE BULLETIN). SET TO ZERO OHMS (JUMPER) FOR SWITCH CONTACT SENSING.

INTRINSICALLY SAFE SYSTEM INSTALLATION

As defined by the National Electrical Code, Factory Mutual and Underwriters Laboratories, an intrinsically safe control system consists of equipment and associated wiring that are inherently incapable of releasing sufficient electrical or thermal energy under normal or abnormal conditions to cause ignition of a specific hazardous atmospheric mixture of its most easily ignited concentration in air.

Abnormal conditions would include any two independent mechanical or electrical faults occurring simultaneously - such as accidental damage to any part of the equipment, wiring and installation, and any other failure of electrical components due to application of over-voltage, improper adjustment or maintenance, and other similar conditions.

When properly installed in accordance with the diagram on page 2, B/W Series 5510 Modules meet the most stringent requirement of UL for intrinsically safe operation from push buttons, pressure or float switches, thermostats, humidistats or any other type of general purpose pilot control device. In addition, they may also be actuated by probes or electrodes in contact with any conductive liquid or moist bulk material to perform a wide variety of mixing, measure, metering and flow or level control functions.

In such installations, inexpensive general purpose enclosures may be used for both the control module and the pilot device. Wiring between the two may be of any type approved for non-hazardous locations without violating provisions of Article 500-517 of the National Electrical Code. It is essential that:

(1) an approved seal be used at the point where the intrinsically safe pilot control circuit enters the hazardous area, and

(2) the pilot circuit wiring be isolated from other wiring.

The following instructions relate primarily to the B/W Controls electrode system of liquid level sensing

Electrode Lead Wires

Shielded cable is not required. Generally the size of the wire used is based upon the physical strength required to meet given installation conditions. Size 14 to 18 Gauge wire is generally strong enough for wiring, although size 26 gauge wire is adequate for positive module operation. In all cases, however, control circuit wires must have good insulation, and splices or connections must be watertight and insulated from ground.

Special Note -- Electrode lead wires must **not** be run in the same conduit with power or load carrying circuits.

Electrode Lead Wire Length

The maximum lead length is determined by the resistance of the lead wires. These controls will operate reliably with electrode lead lengths over 1,000 feet, but it is important to select the correct sensitivity to assure positive operation over these distances. Refer to Table on page 1 for suggested maximum lead lengths. If your application involves greater distances than those shown, please contact factory.

Ground Connections

In all installations using electrodes, a good external ground connection and a dependable return circuit to the liquid are required. In most instances, grounding to a metal pipe leading to the tank is suitable, but electrical conduit should not be used for this purpose.

If a good ground connection to the liquid is not available, an additional ground or common electrode is required. When used, the ground or common electrode should extend slightly below the longest operating electrode. In addition, it is also desirable to ground the control chassis directly to the ground terminal or through a mounting screw.

If PVC well casings or drop pipes are used to contain the electrodes, a ground or common electrode is required.

Service Instructions

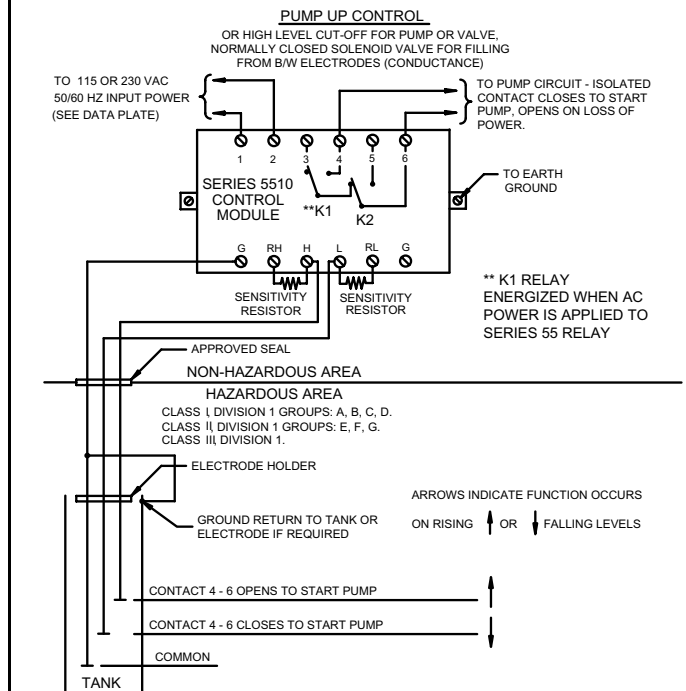
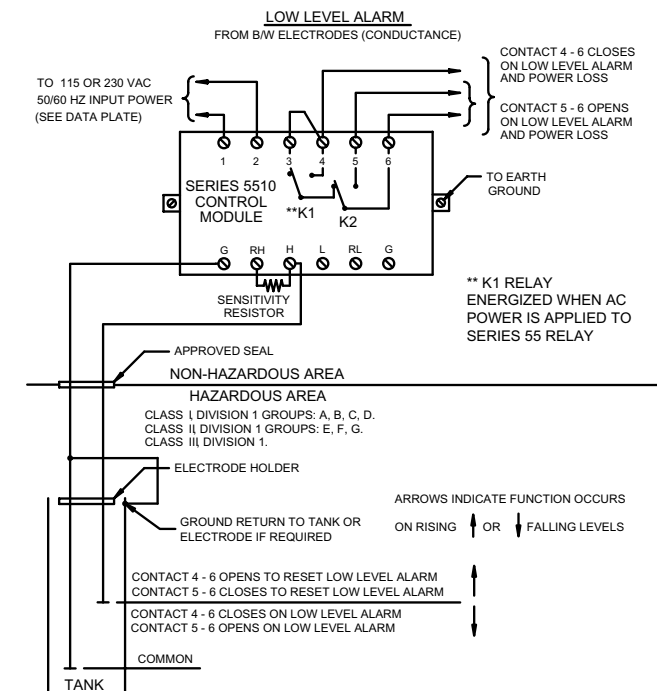
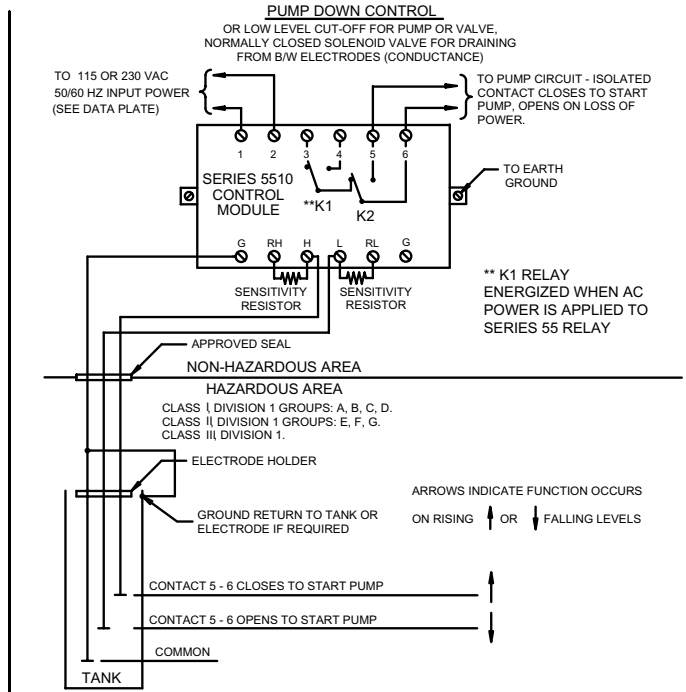
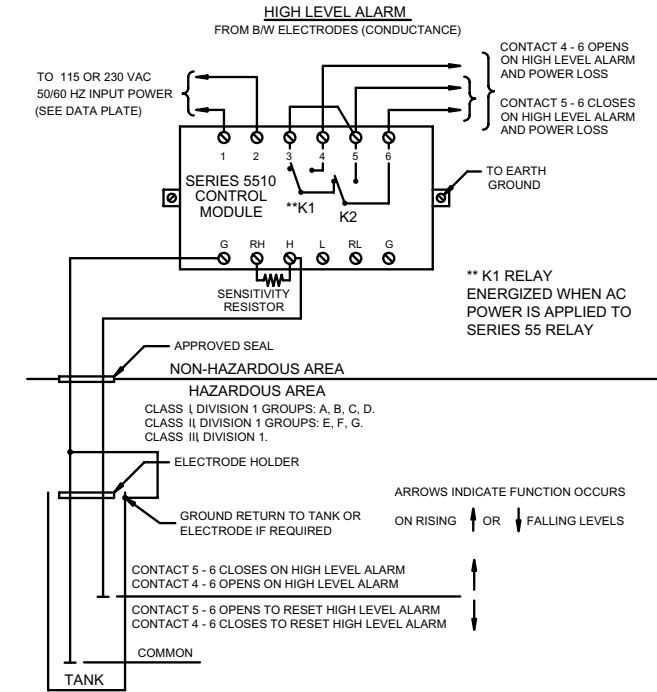
B/W Controls solid state controls are designed and built to require a minimum of service in the field. Each one is tested at the factory to insure positive operation, and should not be altered or tampered with prior to installation. If a control does not operate properly after it has been installed, the following information will be helpful in determining the probable cause.

1. Load relay K2 is energized when the liquid reaches the upper electrode or switch level, and electrode current is flowing. Be sure the relay sensitivity has been selected properly and a good ground connected to terminal G is installed.
2. Check to be sure the wiring agrees with the proper wiring diagram.
3. Voltage at power input terminals should be 120 volts AC between terminals 1 and 2 on the 5510-L1 Module and 240 volts AC on the 5510-L2 Module.
4. Wiring should be checked for open circuits or short circuits.
5. Electrodes (if used) should be checked for accumulation of dirt, oil, grease, or other deposits.
6. For intermittent operation, check for line voltage fluctuations, voltage spikes, or physical vibration.
7. The interior of the electrode holder and its underside should be kept clean and dry to prevent debris from shorting the sensing circuit.
8. The length of the lead wires should not exceed the recommended distance.

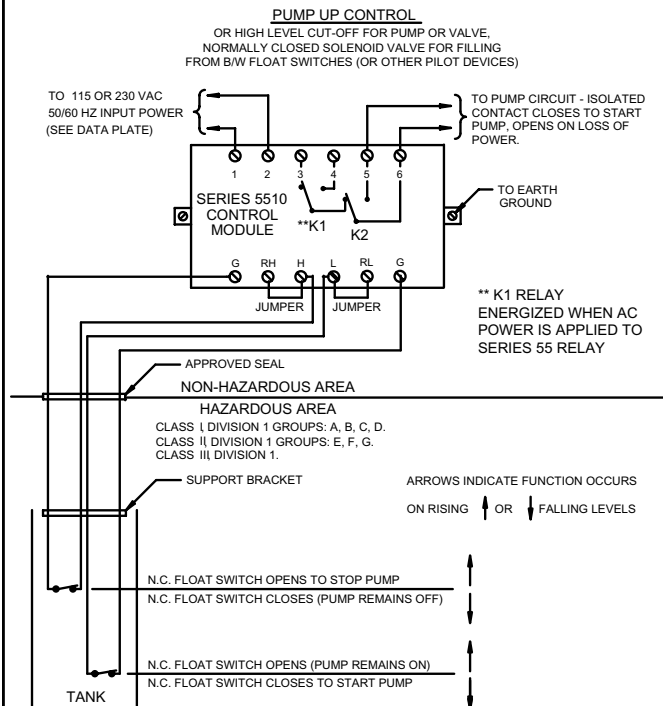
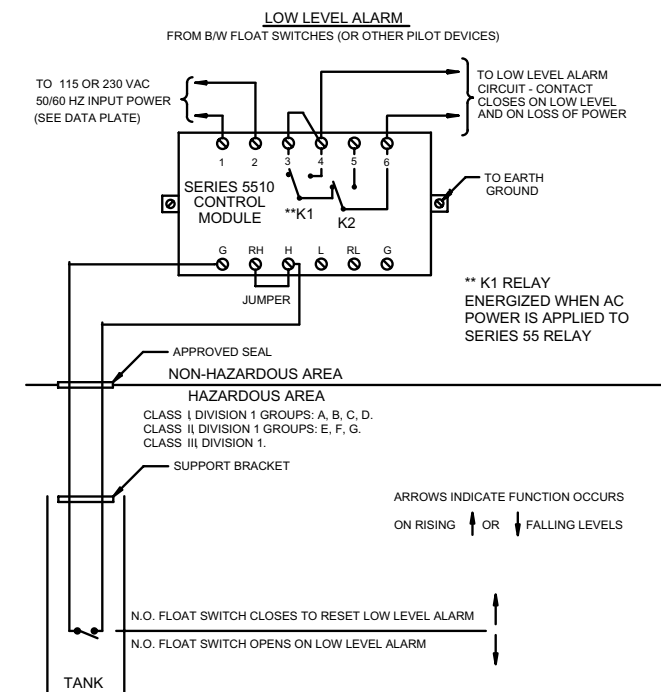
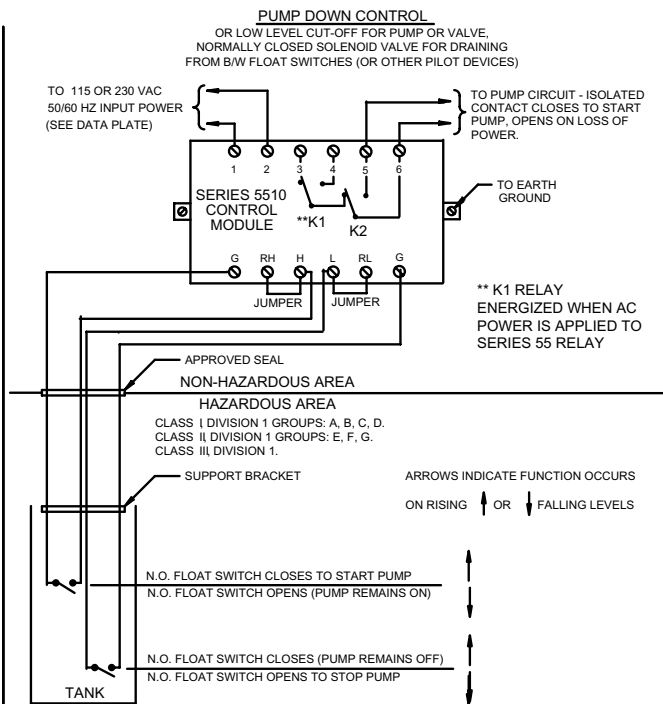
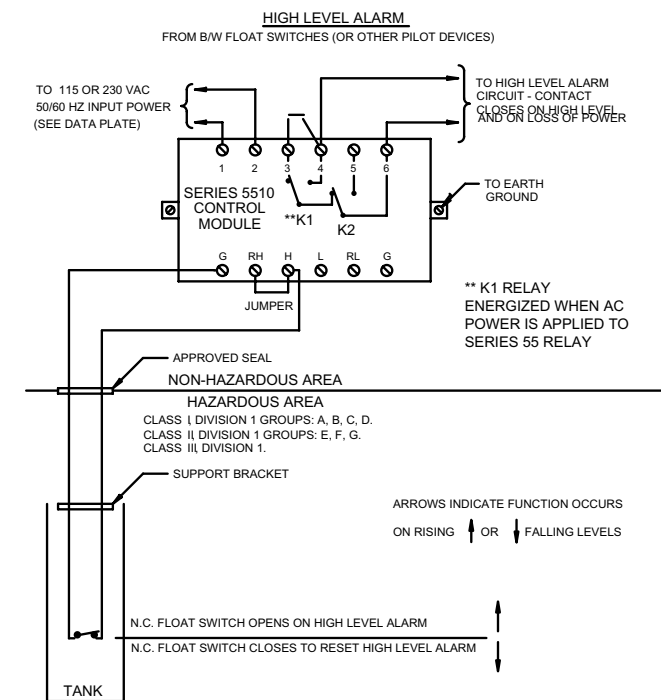
Controls Repairs

All B/W controls are tested at the factory prior to shipment to insure proper operation. They should be handled with care during installation to avoid breaking the electrical connections. If the control does not operate properly after it has been installed, and service instructions indicate a defect, the unit should only be repaired by the manufacturer due to the intrinsically safe rating on the module.

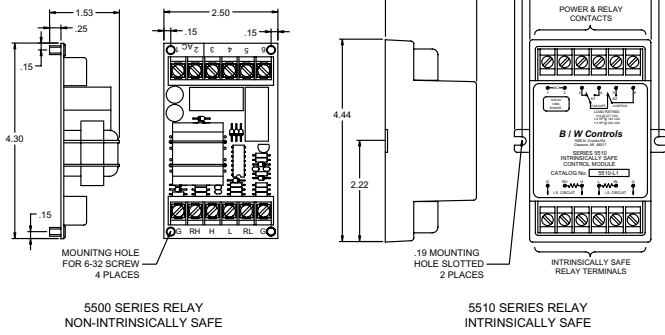
Liquid Level Applications From Electrodes



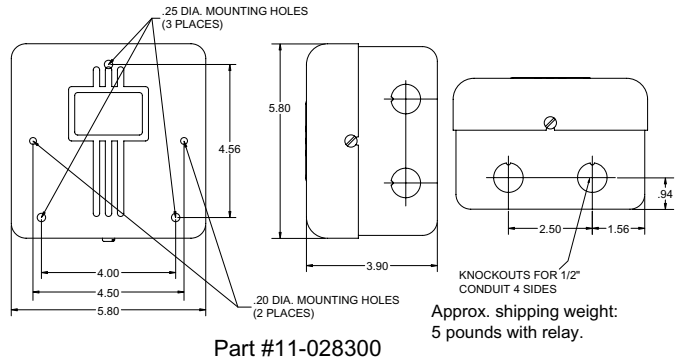
Operation from Float/Switches or Pilot Devices



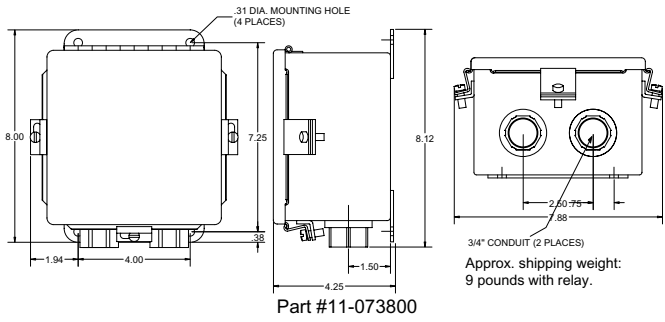
RELAY DIMENSIONS



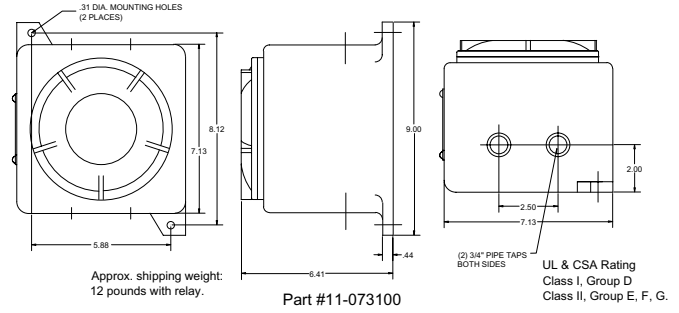
**NEMA TYPE 1
GENERAL PURPOSE ENCLOSURE**



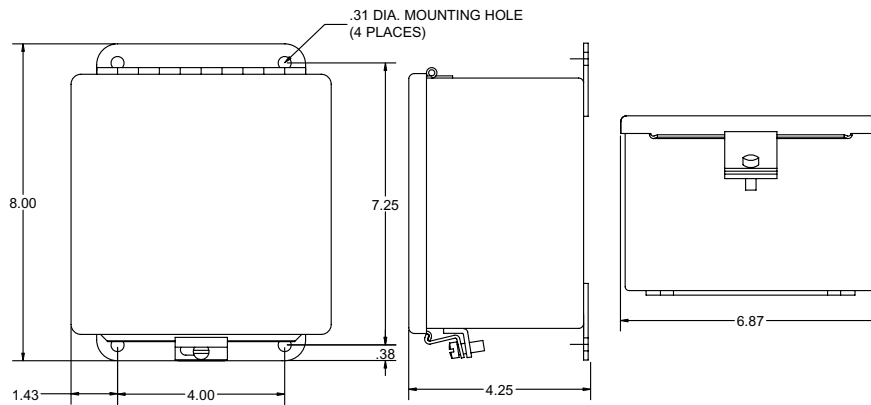
**NEMA TYPE 4
WATER & DUST TIGHT ENCLOSURE**



**NEMA TYPE 7
EXPLOSION-PROOF ENCLOSURE**



**NEMA TYPE 12
OIL-TIGHT ENCLOSURE**



Approx. shipping weight:
7 pounds with relay.

Part #11-073900



1080 N. Crooks Road • Clawson, MI 48017
800-635-0289 • 248-435-0700 • Fax: 248-435-8120
www.ametekpt.com • www.ametek.com

933
5510.M1R
01/02.Z147
3M