



## Series ES-10 CE Marked Industrial Control Transformers

Series ES Industrial Control Transformers are designed to comply with Domestic, North American, and European Union electrical and testing standards. Series ES are UL and Canadian UL Listed by Underwriters Labs. In addition, Series ES are CE Marked, and licensed by the German testing agency TÜV Rheinland under License Number R 9679035.01.

Series ES transformers are the answer to your export needs. With the voltage combinations listed below, and built in approvals, the ES Series provides no-nonsense solutions for control and automation equipment destined for the European Community of nations.

The voltage combinations offered represent some of the most universally used. However, any combination of primary and secondary incorporating voltages of 600 volts and below is available on a short lead time, special order basis. In addition, capacities up to 25 kVA and special temperature rise configurations can be furnished. Please consult your distributor, Dongan Representative, or the factory for special ES Series transformer requirements.

### Features

- CE Marked
- TÜV Rheinland Licensed, R 9679035.01
- UL Listed, File E3210.

• CSA Listed thru UL, File E3210

Agency Compliance



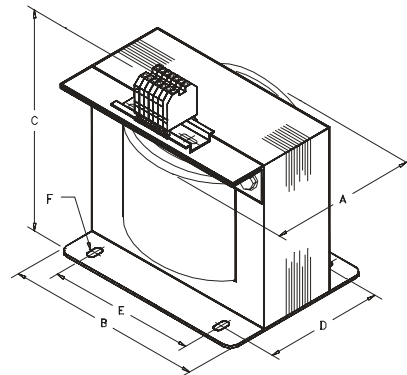
- All copper windings.
- IEC type finger safe terminals.
- 200°C Insulation System.
- 50/60 Hertz.
- Class 1, general use, isolating transformer.
- All Series ES are provided with an electrostatic shield (earth metal screen).
- All Series ES are provided with a color coded protective earth (PE) terminal.
- Consult factory for desired voltage combinations and kVA sizes not listed.

General Information											
Pri. Volts	380/400/416/440 460/480/575	380/416/480	380/400/416	220/380/400/416	Dimensions (inches)						Weight (lbs)
Sec. Volts	110/115/120	120/24 (24 Volts is limited to 20% of max. kVA)	110/220 115/230 120/240	95/115/120	A	B	C	Mounting			
kVA Cap.	Catalog Number	Catalog Number	Catalog Number	Catalog Number				D	E	F	
.150	ES-10100.326	ES-10100.366	ES-10100.376	ES-10100.386	4.00	4.50	5.00	2.75	3.75	.203 x .375	8
.250	ES-10130.326	ES-10130.366	ES-10130.376	ES-10130.386	5.25	4.50	6.00	3.25	3.75	.312 x .625	10
.375	ES-10150.326	ES-10150.366	ES-10150.376	ES-10150.386	6.00	4.50	6.00	4.50	3.75	.312 x .625	13
.500	ES-10170.326	ES-10170.366	ES-10170.376	ES-10170.386	5.25	5.25	6.50	3.25	4.38	.312 x .625	15
.750	ES-10190.326	ES-10190.366	ES-10190.376	ES-10190.386	6.00	6.38	7.50	4.00	5.31	.312 x .625	26
1.0	ES-10200.326	ES-10200.366	ES-10200.376	ES-10200.386	6.50	6.38	7.50	4.50	5.31	.312 x .625	30
1.5	ES-10210.326	ES-10210.366	ES-10210.376	ES-10210.386	6.00	7.50	8.50	4.00	6.00	.312 x .625	36
2.0	ES-10230.326	ES-10230.366	ES-10230.376	ES-10230.386	7.00	7.50	8.50	5.00	6.00	.312 x .625	50
3.0	ES-10250.326		ES-10250.376	ES-10250.386	8.00	7.50	8.50	6.00	6.00	.312 x .625	60
5.0	ES-10300.326		ES-10300.376	ES-10300.386	9.00	9.00	10.00	6.50	6.50	.312 x .625	90

#### Series ES Single Phase and Three Phase Transformers

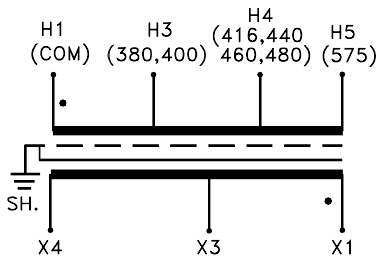
Please see Series ES - CE Marked Single Phase and Three Phase units in the appropriate sections of this catalog. A Certificate of Compliance is available by contacting your Dongan Representative or the factory Customer Service Department.

Dimensions & weights may change. Consult factory for certified drawings.

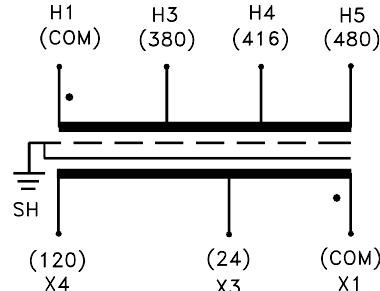


# Series ES-10 CE Marked Industrial Control Transformers

Suffix .326			
Primary Connections		Secondary Connections	
Pri. Voltage	Connect Incoming Lines To:	Sec. Voltage	Connect Load Lines To:
380	H1 & H3	110	X1 & X3
400	H1 & H3	115	X1 & X3
416	H1 & H4	115	X1 & X4
440	H1 & H4	120	X1 & X4
460	H1 & H4	115	X1 & X3
480	H1 & H4	120	X1 & X3
575	H1 & H5	120	X1 & X4

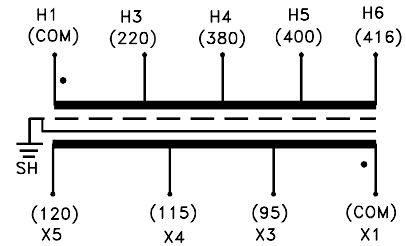


Suffix .366			
Primary Connections		Secondary Connections	
Pri. Voltage	Connect Incoming Lines To:	Sec. Voltage	Connect Load Lines To:
380	H1 & H3	24*	X1 & X3
416	H1 & H4	120	X1 & X4
480	H1 & H5		

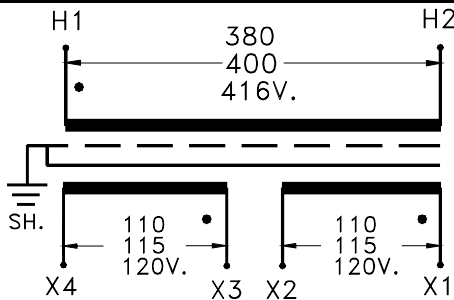


\*Maximum permissible load on 24 volt secondary is limited to 20% of the transformer's kVA. When 24 and 120 volts are used simultaneously, the total of both loads must not exceed the total transformer kVA.

Suffix .386			
Primary Connections		Secondary Connections	
Pri. Voltage	Connect Incoming Lines To:	Sec. Voltage	Connect Load Lines To:
220	H1 & H3	95	X1 & X3
380	H1 & H4	115	X1 & X4
400	H1 & H5	120	X1 & X5
416	H1 & H6		



Suffix .376				
Primary Connections		Secondary Connections		
Pri. Voltage	Connect Incoming Lines To:	Sec. Voltage	Interconnect	Connect Load Lines To:
380	H1 & H2	110	X1 to X3 & X2 to X4	X1 & X4
400	H1 & H2	115		X1 & X4
416	H1 & H2	120		X1 & X4
380	H1 & H2	220	X2 to X3	X1 & X4
400	H1 & H2	230		X1 & X4
416	H1 & H2	240		X1 & X4
416	H1 & H2	120/240	X2 to X3	X1 & X2/X3 & X4



Series ES - 10

Agency Compliance



DONGAN ELECTRIC MANUFACTURING CO. • 2987 FRANKLIN • DETROIT, MI 48207  
 800.428.2626 • 313.567.8500 • Fax 313.567.8828 • www.dongan.com