

Warranty, Service & Repair

To register your product with the manufacturer, fill out the enclosed warranty card and return it immediately to:

Flowline Inc.
10500 Humbolt Street
Los Alamitos, CA 90720.

If for some reason your product must be returned for factory service, contact Flowline Inc. to receive a Material Return Authorization number (MRA) first, providing the following information:

1. Part Number, Serial Number
2. Name and telephone number of someone who can answer technical questions related to the product and its application.
3. Return Shipping Address
4. Brief Description of the Symptom
5. Brief Description of the Application

Once you have received a Material Return Authorization number, ship the product prepaid in its original packing to:

Flowline Factory Service
MRA _____
10500 Humbolt Street
Los Alamitos, CA 90720

To avoid delays in processing your repair, write the MRA on the shipping label. Please include the information about the malfunction with your product. This information enables our service technicians to process your repair order as quickly as possible.

FLOWLINE®

Isolation Relay Controller LC90 Series Owner's Manual



Version 2.1A

© 1999 FLOWLINE Inc.

All rights reserved.

Manual # LC900010

6/99

WARRANTY

Flowline warrants to the original purchaser of its products that such products will be free from defects in material and workmanship under normal use and service for a period which is equal to the shorter of one year from the date of purchase of such products or two years from the date of manufacture of such products.

This warranty covers only those components of the products which are non-moving and not subject to normal wear. Moreover, products which are modified or altered, and electrical cables which are cut to length during installation are not covered by this warranty.

Flowline's obligation under this warranty is solely and exclusively limited to the repair or replacement, at Flowline's option, of the products (or components thereof) which Flowline's examination proves to its satisfaction to be defective. FLOWLINE SHALL HAVE NO OBLIGATION FOR CONSEQUENTIAL DAMAGES TO PERSONAL OR REAL PROPERTY, OR FOR INJURY TO ANY PERSON.

This warranty does not apply to products which have been subject to electrical or chemical damage due to improper use, accident, negligence, abuse or misuse. Abuse shall be assumed when indicated by electrical damage to relays, reed switches or other components. The warranty does not apply to products which are damaged during shipment back to Flowline's factory or designated service center or are returned without the original casing on the products. Moreover, this warranty becomes immediately null and void if anyone other than service personnel authorized by Flowline attempts to repair the defective products.

Products which are thought to be defective must be shipped prepaid and insured to Flowline's factory or a designated service center (the identity and address of which will be provided upon request) within 30 days of the discovery of the defect. Such defective products must be accompanied by proof of the date of purchase.

Flowline further reserves the right to unilaterally waive this warranty and to dispose of any product returned to Flowline where:

- a. There is evidence of a potentially hazardous material present with product.
- b. The product has remained unclaimed at Flowline for longer than 30 days after dutifully requesting disposition of the product.

THERE ARE NO WARRANTIES WHICH EXTEND BEYOND THE DESCRIPTION ON THE FACE OF THIS WARRANTY. This warranty and the obligations and liabilities of Flowline under it are exclusive and instead of, and the original purchaser hereby waives, all other remedies, warranties, guarantees or liabilities, express or implied. EXCLUDED FROM THIS WARRANTY IS THE IMPLIED WARRANTY OF FITNESS OF THE PRODUCTS FOR A PARTICULAR PURPOSE OR USE AND THE IMPLIED WARRANTY OF MERCHANTABILITY OF THE PRODUCTS.

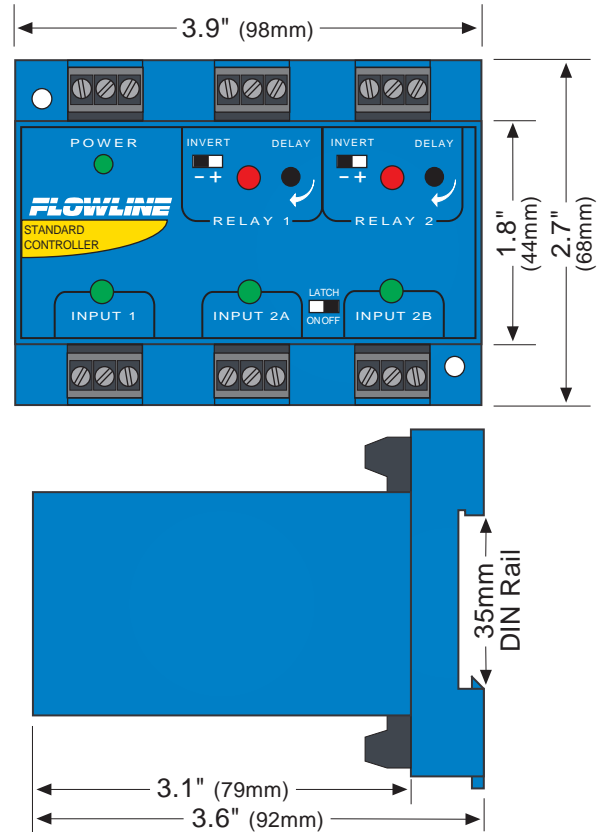
This warranty may not be extended, altered or varied except by a written instrument signed by a duly-authorized officer of Flowline, Inc.

SPECIFICATIONS

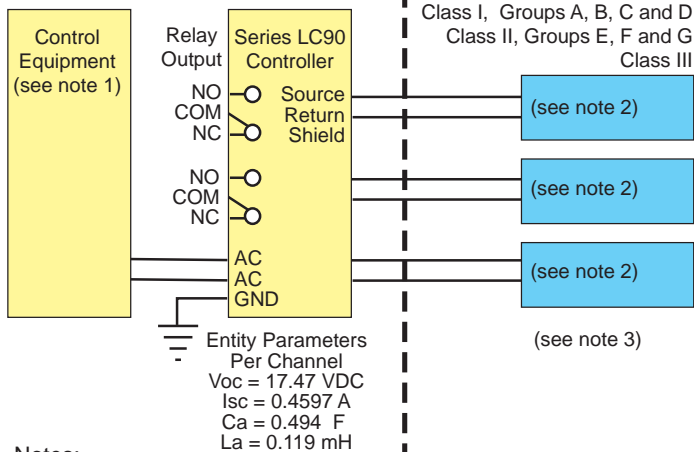
Step One

Supply voltage: 120/240 VAC @ 50-60 Hz.
 Consumption: 5 watts max.
 Sensor inputs: LC92: (3) two-wire level switches
 LC91: (2) two-wire level switches
 LC90: (1) two-wire level switches
 Sensor supply: 13.5 VDC @ 27 mA
 Contact operation: LC92: 1. Fill or Empty with Alarm
 2. High and Low Alarm
 LC91: 1. Fill or Empty
 2. High or Low Alarm
 LC90: 1. High or Low Alarm
 Contact type: LC92: (1) SPDT, (1) Latched SPDT
 LC91: (1) Latched SPDT
 LC90: (1) SPDT
 Contact rating: 250 VAC @ 10A
 Contact mode: Selectable, NO or NC
 Contact latch: ON or OFF
 Contact delay: 0 to 60 seconds
 LED indication: Sensor, relay & power status
 Electronics Temp.: F: -40° to 158°
 C: -40° to 70°
 Enclosure type: 35 mm DIN (EN 50 022)
 Enclosure material: Polypropylene (U.L. 94 VO)
 Classification: Associate apparatus
 CSA approval: Class I, Groups A,B,C & D;
 Class II, Groups E, F & G;
 Class III
 CSA entity parameters: Voc = 17.47 VDC
 Isc = 0.4597 A
 Ca = 0.494 µF
 La = 0.119 mH
 Certificate number: LR 79326-3
 CE compliance: EN 61326 EMC
 EN 61010-1 safety

Dimensions (nominal):



NON-HAZARDOUS LOCATION



- Notes:
- Control equipment connected to series LC90 controller must not use or generated more than 250V .
 - CSA certified equipment with entity parameters connected in accordance with manufactures instructions or switches, thermocouples, LEDs, or RTDs.
 - Separation must be maintained between wiring of separate channels.
 - Installation should be in accordance with CEC Part I or NFPA 70.

Controller Drawing: LCD1
 Rev A. 7-21-95

Part Number Information:

Part #	Mat'l	Description
LC90-1001	PP	High / Low Relay Controller
LC91-1001	PP	Automatic Fill or Empty Relay Controller
LC92-1001	PP	Auto Fill/Empty Relay Controller w/ Alarm

Approval Label:

LR79326-4

SP

NRTL/C
 Associated Equipment / Appereillage [Exia] Connexe

Outputs suitable for use in Hazardous Locations:
 Class I Groups A, B, C & D
 Class II Groups E, F & G
 Class III Volt/Ohm Parameters

Entity Parameters 17.5 V 40 Ohms
 Voc=17.47 VDC Ca = 4.494 F
 Isc = 0.4597A La = 0.119 mH

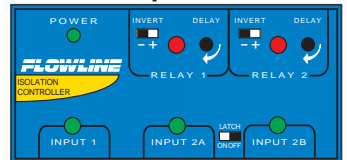
Power Rating: 5.0 Watts max.
 See Instruction Manual for installation Info

Warning: substitution of components may impair Intrinsic Safety

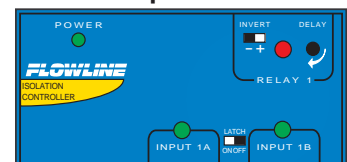
Avertissement:
 la substitution de composants peut compromettre la Securite Intrinseque

LCD1

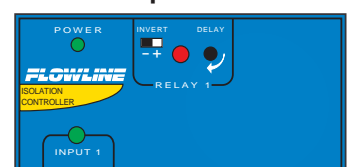
LC92 Faceplate:



LC91 Faceplate:



LC90 Faceplate:



SAFETY PRECAUTIONS

Step Two

About This Manual:

PLEASE READ THE ENTIRE MANUAL PRIOR TO INSTALLING OR USING THIS PRODUCT. This manual includes information on three different models of Isolation Remote Relay Controllers from FLOWLINE: LC90-1001, LC91-1001 and LC92-1001. Many aspects of installation and use are similar between the three models. Where they differ, the manual will note it. Please refer to the part number on the controller you have purchased as you read.

User's Responsibility for Safety:

FLOWLINE manufactures several models of controller, with different mounting and switching configurations. It is the user's responsibility to select a controller model that is appropriate for the application, install it properly, perform tests of the installed system, and maintain all components.

Special Precaution for Intrinsically Safe Installation:

DC powered sensors should not be used with explosive or flammable liquids unless powered by an intrinsically safe controller such as the LC90 series. "Intrinsically safe" means that the LC90 series controller has been specifically designed so that under normal conditions the sensor input terminals cannot transmit unsafe voltages that could cause sensor failure and spark an explosion in the presence of a specific atmospheric mixture of hazardous vapors. Only the sensor section of the LC90 is intrinsically safe. The controller itself cannot be mounted in a hazardous or explosive area, and the other circuit sections (AC power and relay output) are not designed to connect to hazardous areas.

Follow Intrinsically Safe Installation Procedures:

The LC90 must be installed in compliance with all local and national codes, following the latest National Electric Code (NEC) guidelines, by licensed personnel who have experience in intrinsically safe installations. For example, the sensor cable(s) must pass through a conduit vapor seal fitting in order to maintain the barrier between the hazardous and nonhazardous area. In addition, the sensor cable(s) may not travel through any conduit or junction box that is shared with non-intrinsically safe cables. For further details, consult the NEC.

Maintain the LC90 in Intrinsically Safe Condition:

Modification to the LC90 will void the warranty and may compromise the intrinsically safe design. Unauthorized parts or repairs will also void the warranty and the intrinsically safe condition of the LC90.

IMPORTANT

Do not connect any other devices (such as a data logger or other measurement device) to a sensor terminal, unless the measurement probe is rated intrinsically safe also. Improper installation, modification, or use of the LC90 in an installation requiring intrinsically safe equipment may cause property damage, bodily injury or death. FLOWLINE, Inc. will not be responsible for any liability claims due to improper installation, modification, repair or use of the LC90 by other parties.

SAFETY PRECAUTIONS

Step Three

Electrical Shock Hazard:

It is possible to contact components on the controller that carry high voltage, causing serious injury or death. All power to the controller and the relay circuit(s) it controls should be turned OFF prior to working on the controller. If it is necessary to make adjustments during powered operation, use extreme caution and use only insulated tools. Wiring should be performed by qualified personnel in accordance with all applicable national, state and local electrical codes.

Install In a Dry Location:

The controller housing is not designed to be immersed. It should be mounted in such a way that it does not come into contact with liquid. Its case is made out of PP (polypropylene). Refer to an industry reference to ensure that compounds that may splash onto the controller housing will not damage it. Such damage is not covered by the warranty.

Relay Contact Rating:

The relay is rated for a 10 amp resistive load. Many loads (such as a motor during start-up or incandescent lights) are reactive and may have an inrush current characteristic that may be 10 to 20 times their steady-state load rating. The use of a contact protection circuit may be necessary for your installation if the 10 amp rating does not provide an ample margin for such inrush currents.

Make a Fail-Safe System:

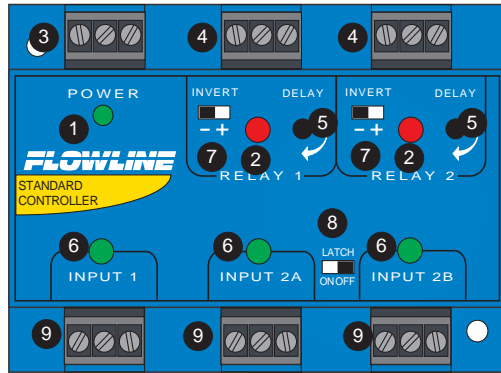
Design a fail-safe system that accommodates the possibility of relay or power failure. If power is cut off to the controller, it will de-energize the relay. Make sure that the de-energized state of the relay is the safe state in your process. For example, if controller power is lost, a pump filling a tank will turn off if it is connected to the Normally Open side of the relay.

While the internal relay is reliable, over the course of time relay failure is possible in two modes: under a heavy load the contacts may be "welded" or stuck into the energized position, or corrosion may build up on a contact so that it will not complete the circuit when it should. In critical applications, redundant backup systems and alarms must be used in addition to the primary system. Such backup systems should use different sensor technologies where possible.

While this manual offers some examples and suggestions to help explain the operation of FLOWLINE products, such examples are for information only and are not intended as a complete guide to installing any specific system.

GUIDE TO CONTROLS

Step Four



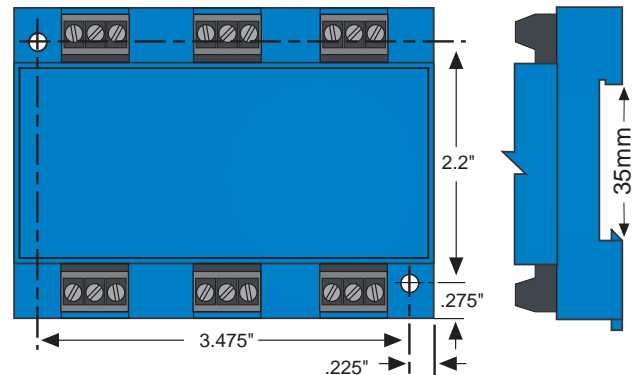
- 1. Power indicator:** This green LED lights when AC power is ON.
- 2. Relay indicator:** This red LED will light whenever the controller energizes the relay, in response to the proper condition at the sensor input(s) and after the time delay.
- 3. AC Power terminals:** Connection of 120 VAC power to the controller. The setting may be changed to 240 VAC if desired. This requires changing internal jumpers; this is covered in the Installation section of the manual. Polarity (neutral and hot) does not matter.
- 4. Relay terminals (NC, C, NO):** Connect the device you wish to control (pump, alarm etc.) to these terminals: supply to the COM terminal, and the device to the NO or NC terminal as required. The switched device should be a noninductive load of not more than 10 amps; for reactive loads the current must be derated or protection circuits used. When the red LED is ON and the relay is in the energized state, the NO terminal will be closed and the NC terminal will be open.
- 5. Time delay:** Use potentiometer to set delay from 0.15 to 60 seconds. Delay occurs during switch make and switch break .
- 6. Input indicators:** Use these LEDs for indicating Wet or Dry status of switch. When switch is Wet, LED will be Amber. When switch is dry, LED will either be Green for powered switches or Off for reed switches. Note: Reed switches may be reversed for Wet/Off, Dry/Amber indication.
- 7. Invert switch:** This switch reverses the logic of the relay control in response to the switch(es): conditions that used to energize the relay will now de-energize the relay and vice versa.
- 8. Latch switch (LC91 and LC92):** This switch determines how the relay will be energized in response to the two sensor inputs. When LATCH is OFF, the relay responds to sensor Input A only; when LATCH is ON, the relay will energize or de-energize only when both switches (A and B) are in the same condition (both wet or both dry). The relay will remain latched until both switches change conditions.
- 9. Input terminals:** Connect the switch wires to these terminals: Note the polarity: (+) is a 13.5 VDC, 27 mA power supply (connected to the red wire of a FLOWLINE level switch), and (-) is the return path from the sensor (connected to the black wire of a FLOWLINE level switch). If polarity is reversed, the sensors will not work.

INSTALLATION

Step Five

Panel DIN Rail Mounting

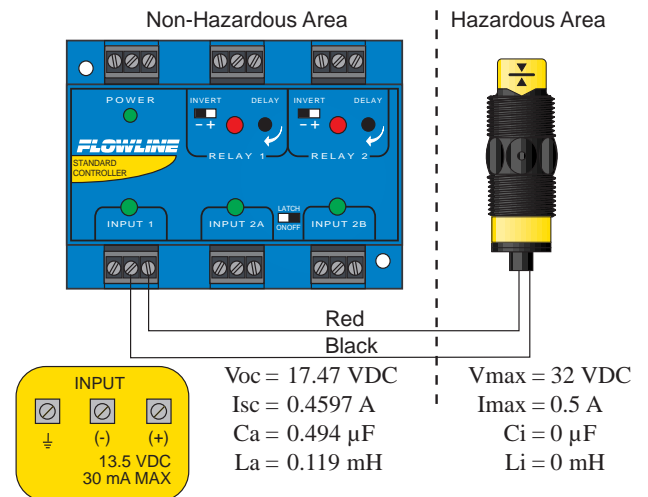
The controller may be mounted by either a back panel using two screws through mounting holes located at the corners of the controller or by snapping the controller on 35 mm DIN Rail.



Note: Always install the controller in a location where it does not come into contact with liquid.

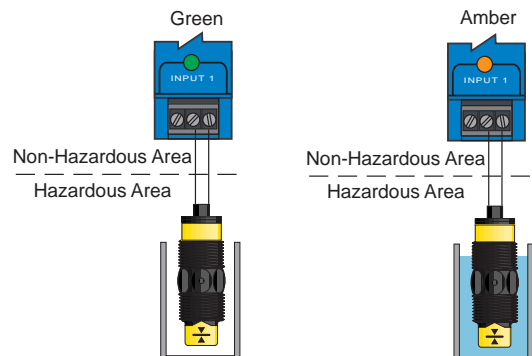
Connecting switches to input terminals:

All FLOWLINE intrinsically safe level switches (models LO10, LP10, LP50 and LU10) will be wired with the Red wire to the (+) terminal and the Black wire to the (-) terminal.



LED Indication

Use LED's located above the input terminals to indicate whether the switch is in a wet or dry state. With FLOWLINE intrinsically safe level switches, Green indicates dry and Amber indicates wet.

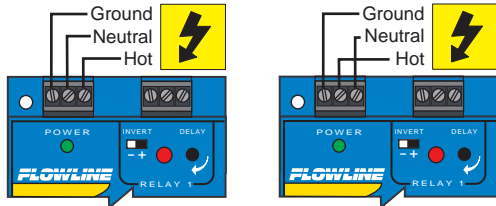
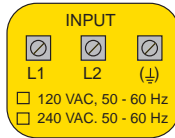


INSTALLATION

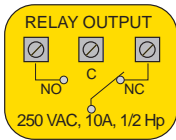
Step Six

VAC Power Input Wiring:

Observe the POWER SUPPLY label on the LC90 series. The label identifies the power requirement (120 or 240 VAC) and the terminal wiring. **Note:** Polarity does not matter with the AC input terminal.



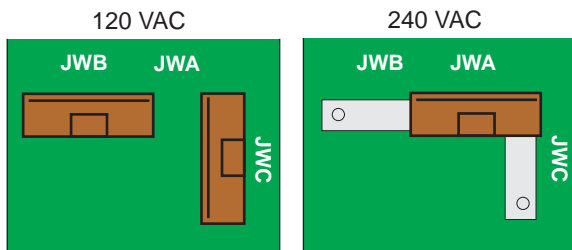
Relay Input Wiring:



The relay is a single pole, double throw type rated at 250 Volts AC, 10 Amps, 1/2 Hp. The two terminal NO and NC (normally open and normally closed) will be used in different applications. Remember that the "normal" state is when the relay coil is de-energized and the Red relay LED is Off / de-energized.

Changing from 120 to 240 VAC:

1. Remove the back panel of the controller and gently slide the printed circuit board from the housing. Use caution when removing the PCB.
2. Located jumpers JW1, JW2 and JW3 on the PCB.
3. To change to 240 VAC, remove jumpers from JW1 and JW2 and place a single jumper across JW3. To change to 120 VAC, remove jumper JW3 and place jumpers across JW1 and JW2.
4. Gently return PCB into housing and replace back panel.



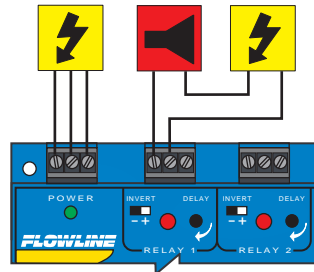
APPLICATION

Step Seven

Low Level Alarm

The goal is to make sure that the liquid level does not fall below a certain point. If it does, an alarm is supposed to sound, alerting the operator of a low level condition.

If power is accidentally cut to the controller, the sensor's ability to notify the operator of a low level condition could be lost. The system must alert the operator not only to low liquid level, but to controller power loss.

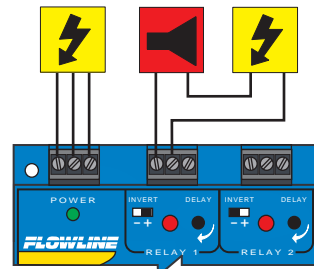


To do this, connect the hot lead of the alarm to the NC side of the relay terminal of the controller. If power is lost, the relay will be de-energized, and the alarm will sound (if there is still power to the alarm circuit itself). The alarm circuit should have a non-interruptible power supply or some other indicator or backup alarm to warn of a power failure in the alarm circuit.

In this application, the normal status of the sensor at the bottom of the tank will be wet, and the relay will be energized holding the alarm circuit open. Both the relay LED and the Input LED will be on simultaneously, so for this application, Invert should be set to the Off position.

High Level Alarm

In the same manor, this system can be used to sound an alarm when fluid reaches a high level, with just a change in the location of the sensor and the setting of the Invert switch.



The alarm is still connected to the NC side of the relay to allow for a power failure alarm.

The sensor is normally dry. In this condition, we want the relay to be energized so the alarm does not sound: i.e., the Red relay LED should be on whenever the Input LED is Amber. So we turn Invert On. If the fluid level rises to the

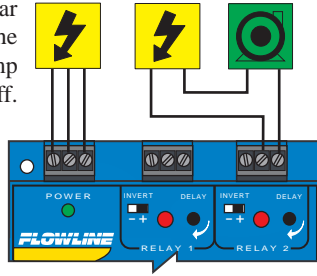
high sensor point, the sensor goes on, the relay de-energizes, and the alarm sounds.

APPLICATION

Step Eight

Automatic Fill

This system consists of a tank with a high level sensor, a low level sensor, and a pump that is controlled by the controller. Part of a proper fail-safe design for this particular system is that if power is lost to the controller for any reason, the pump filling the tank must be turned off. Therefore, we connect the pump to the NO side of the relay. When the relay is energized, the pump will turn on and fill the tank. The relay indicator will correspond directly to the On/Off status of the pump.



Note: If the pump motor load exceeds the rating of the controller's relay, a stepper relay of higher capacity must be used as part of the system design.

Determining the settings of LATCH and INVERT

This is the way the system must operate:

- When both the high and low sensors are dry, the pump should turn on, starting to fill the tank.
- When the low sensor gets wet, the pump should stay on.
- When the high sensor gets wet, the pump should turn off.

Latch: In any two-sensor control system, LATCH must be ON.

Invert: Referring to the logic chart in Step Nine, we look for the setting that will de-energize the relay (start the pump) when both inputs are wet (Amber LEDs). In this system, Invert should be ON.

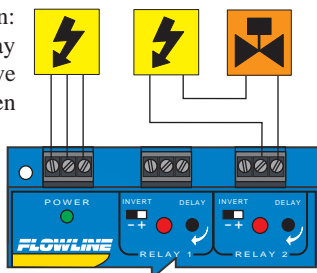
Determining A or B input connections: When LATCH is ON, there is no effective difference between Input A and B, since both sensors must have the same signal in order for status to change. When wiring any two-input relay section, the only consideration for hooking a particular sensor to A or B is if LATCH will be OFF.

Automatic Empty

Note that a similar system logic can be used for an automatic empty operation simply by controlling a pump that pumps fluid out of the tank instead of into it. However, note the importance of fail-safe design. If the tank is being passively filled, and a pump must be used to actively empty it, a power failure to either the controller or the pump circuits will cause overflow.

Alternatively, an electrically-controlled drain valve could be used. In this case, the valve should be a type that will automatically open if power is lost; in other words, power must be used to hold it closed. The valve would be connected to the NO side of the relay—if power is lost to the controller, the relay de-energizes, the valve loses the power that was holding it shut, and fluid will drain from the tank into some other safe containment until power is restored. In this system, whenever the red relay LED of the controller is ON, the drain is closed, allowing fluid to rise.

In this case, Invert should be On: when both sensors are wet, the relay de-energizes, the switch to the valve opens, and the tank will drain. When both sensors are dry, the relay energizes, the switch to the valve closes and the tank stops draining.



TROUBLESHOOTING

Step Nine

Controller Logic

For all controllers, please use the following guide to understand the operation of the FLOWLINE LC90/LC91/LC92 controllers.

1. Make sure the Green power LED is On when power is supplied to the controller.
2. The input LED's on the controllers will be Amber when the switch is wet and Green when the switch is dry. Note: see Section 5 regarding reed switches. If the LED's are not switching the input LED, test the level switch.
3. When the input LED's turn off and on, the relay LED will also switch. With invert Off, the relay LED will be On when the input LED is On and Off when the input LED is Off. With invert On, the relay LED will be Off when the input LED is On and On when the input LED is Off.
4. LC91 and LC92 model only: When both inputs are wet (amber LED's On), the relay will be energized (red LED On). After that, if one switch becomes dry, the relay will remain energized. Only when both switches are dry (both amber LED's Off) will the controller de-energize the relay. The relay will not energize again until both switches are wet. See the Logic Chart below for further explanation.

Relay Latch Logic Table:

Relay 2 can either be a independent relay similar to relay 1 or can be a latching relay with latch ON. With Latch Off, relay 2 will only respond to the INPUT 2A setting. INPUT 2B will be ignored.

Invert OFF		Latch OFF	Invert ON		Latch Off
INPUT 2A*	INPUT 2B*	Relay	INPUT 2A*	INPUT 2B*	Relay
ON	No Effect	ON	ON	No Effect	OFF
OFF	No Effect	OFF	OFF	No Effect	ON

With Latch ON, relay 2 will actuate when INPUT 2A and INPUT 2B are in the same condition. The relay will not change its condition until both inputs reverse their state.

Invert OFF		Latch ON	Invert ON		Latch ON
INPUT 2A*	INPUT 2B*	Relay	INPUT 2A*	INPUT 2B*	Relay
ON	ON	ON	ON	ON	OFF
OFF	ON	No Change	OFF	ON	No Change
ON	OFF	No Change	ON	OFF	No Change
OFF	OFF	OFF	OFF	OFF	ON

Caution: Some sensors (particularly buoyancy sensors) may have their own inverting capability (wired NO or NC). This will change the logic of the invert switch. Check your system design.