

Vertical High-Temp Float Switch

Specifications

Orientation:	± 20° vertical
Accuracy:	± 3 mm in water
Repeatability:	± 1 mm in water
Specific gravity:	L V30: 0.7 min. LV31: 0.9 min. LV32: 0.8 min.
Contact type:	(1) SPST reed
Contact rating:	240 VAC/VDC @ 20 VA
Contact output:	Selectable NO/NC
Process temp.:	F: -40° to 300° C: -40° to 148.9°
Pressure:	L V30: 100 psi max. (6.9 bar max.) LV31: 275 psi max. (18.9 bar max.) LV32: 750 psi max. (51.7 bar max.)
Sensor rating:	NEMA 6 (IP68)
Sensor material:	316 ss
Process mount:	L V30: 1/8" NPT LV31: 1/8" NPT LV32: 1/4" NPT
Wire type:	L V30: 2-wire, #22 AWG LV31: 2-wire, #22 AWG LV32: 2-wire, #18 AWG
Wire length:	24" (61 cm)
Wire jacket mat.:	Polymeric
Classification:	General purpose
CE compliance:	EN 50082-2 immunity EN 55011 emission EN 61010-1 safety

Description

The general purpose high-temp float level switch is an ideal choice for relatively clean water, diluted chemical or petroleum based liquids with non-coating and/or scaling characteristics. Media examples include hot deionized water and cooking oil. The dry contact closure provides a reliable switch interface with remote devices such as a PLC, SCADA or alarm. The sensor mounts vertically inside the tank on the end of a sealed pipe apparatus. The rugged high temperature float switch is offered in three sizes and shapes.



LV30-S201
Shown

LV31-S201
Shown

LV32-S201
Shown

Vertical Float Ordering

LV3 -S201

Maximum pressure (1)	
0	100 psi (6.9 bar)
1	275 psi (18.9 bar)
2	750 psi (51.7 bar)

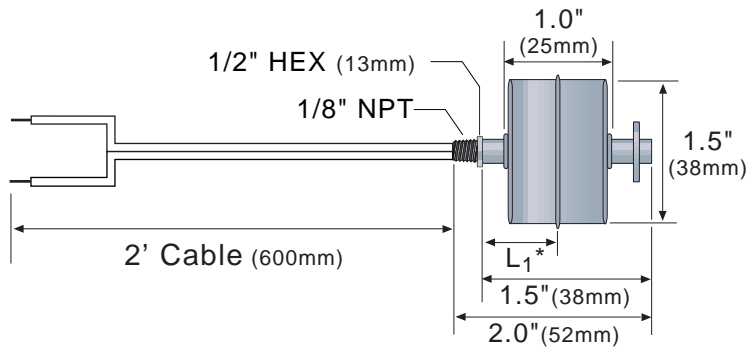
Ordering Notes

1) Each sensor type has a different shape and dimension. Please check the dimensional specifications prior to ordering.



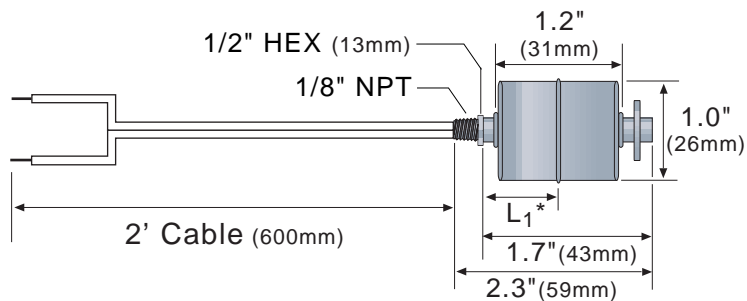
Switch-Tek™ Vertical High-Temp Float Switch

LV30-S201 Profile



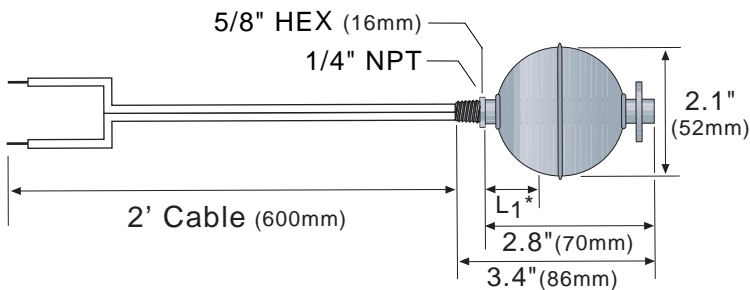
L1* = 0.6" (16mm) NO, .8" (19mm) NC, switch actuation level, nominal (based upon specific gravity = 1.0)

LV31-S201 Profile



L1* = 0.6" (15mm) NO, .8" (21mm) NC, switch actuation level, nominal (based upon specific gravity = 1.0)

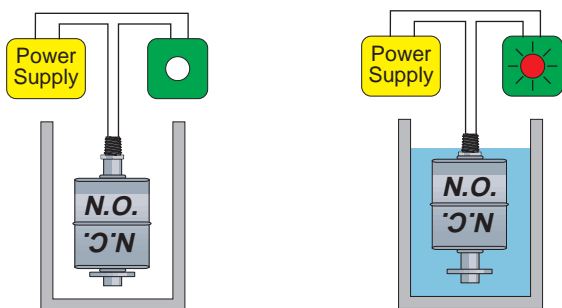
LV32-S201 Profile



L1* = 1.1" (28mm) NO, dimension varies for NC switch actuation level, nominal (based upon specific gravity = 1.0)

Specifications are subject to change without notice.

LV3_-S201 - NO Wiring



LV3_-S201 - NC Wiring

