

# Switch-Pak

TM

Switch-Pak LM45 0412 DS0\_1

## Single-Point Alarm Fitting

### Description

The single-point fitting enables users to install a Flowline level switch through the top wall of the tank. Offered in PVC, PP and PVDF materials, the fitting is typically applied in bulk storage tanks, day tanks and waste sumps. Each fitting is built custom to your requirements. Select the appropriate material based upon on your application liquid and specify the A-dimension. For integral wiring termination, add a compact junction box. For installation on open tanks or sumps, add a side mount bracket. For applications with highly corrosive media such as nitric acid, select the PVDF fitting material option. The Kynar® fitting is heat welded and final assembled to your A-dimension. Package the fitting with any of our PVDF Kynar® or PFA Teflon® sensors. Its level made simple!



### Specifications

<b>Junction box</b>	
Sensor inputs:	1 sensor
Terminal strip:	6 pole socket
Enclosure rating:	NEMA 4X (IP65)
Encl. material:	PP, UL94VO
Encl. rotation:	300° swivel base
Conduit entrance:	Single, 1/2" NPT
Temp. rating:	F: -40° to 158° C: -40° to 70°
<b>Fitting</b>	
Length:	6" to 10' (15 cm to 3m)
Process temp.:	F: -40° to 194° C: -40° to 90°
Pressure:	150 psi (10 bar) @ 25° C., derated @ 1.667 psi (.113 bar) per °C. above 25° C.
Fitting material:	70_1: PVC 10_1: PP 50_1: PVDF
Process mount:	_001: 2" NPT _061: 2" G
Mount. gasket:	Viton® (G version only)
<b>Side Mount</b>	
Bracket material:	PP
Female threads:	1001: 2" NPT 1051: 2" G
Tank installation:	Bolt or plastic weld

### Switch-Pak

### Ordering

LM45-

#### Fitting material (1)

- 7 PVC
- 1 PP
- 5 PVDF

#### Process / sensor mount (2) (3)

- 0 2" NPT / 3/4" NPT (US)
- 6 1 1/2" G / 3/4" Rp (Metric)

#### Dimensions (4) (5) (6)

- A Specify (PVC)  
(PP)  
(PVDF)

LM50-10

#### Process mount (3)

- 0 2" NPT (US)
- 6 2" G (Metric)

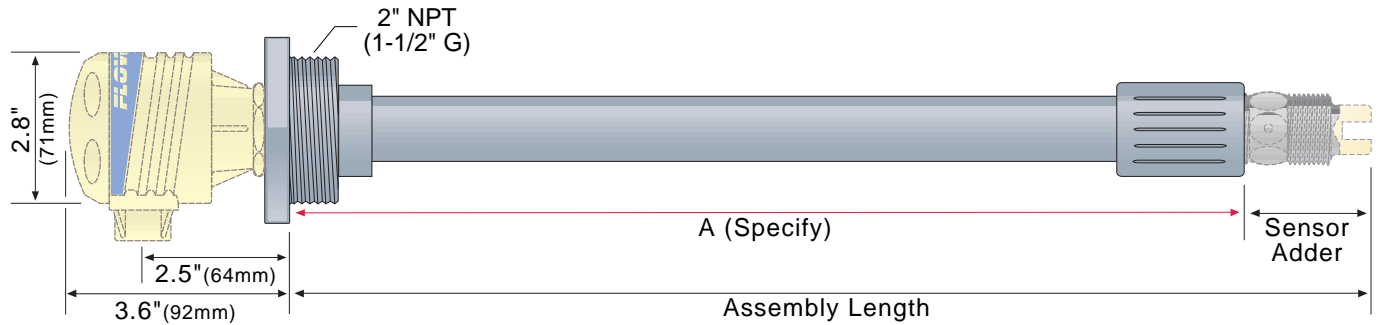
#### Ordering Notes

- 1) Order one LC06-1001 (NPT) or LC06-1051 (Rp) compact junction box.
- 2) The straight G thread version seals with an included Viton® mounting gasket.
- 3) For installation on open tanks, order the LM50-1001 (2" NPT) or LM50-1061 (2" G) side mount bracket.
- 4) Specify the A-dimension at the end of the part number (ie: LM45-1001-17"). The A-dimension may be specified in 1/2" (1.3 cm) increments from 6" to 10' (15 cm to 3m). Switch-Pak will be solvent (PVC) or socket welded (PP and PVDF) per your length specification.
- 5) To calculate the length adder, round up the A-dimension to the next foot (30 cm) and multiply it by the selected material adder.
- 6) To order the 2" plug fitting and 3/4" sensor adapter unassembled (without a 25 mm pipe) specify a zero A-dimension at the end of the part number (ie: LM45-1001-00").

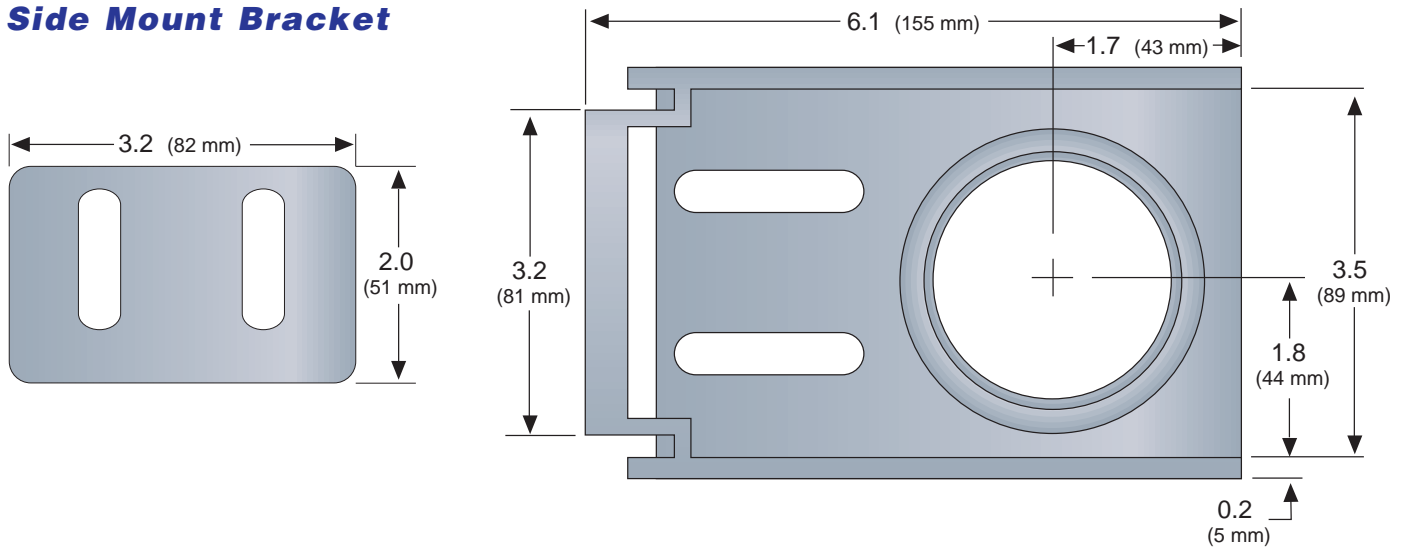


# Switch-Pak™ Single-Point Alarm Fitting

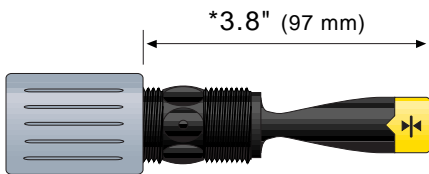
## Smart Trak Profile



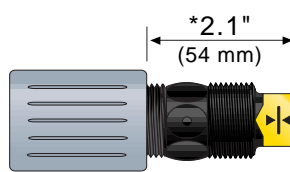
## Side Mount Bracket



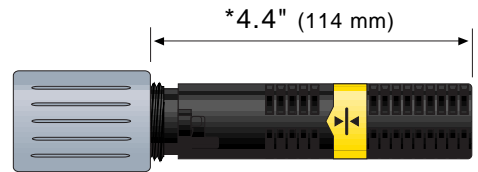
## Vibration (LZ10)



## Ultrasonic (LU10)



## Buoyancy (LV10)



Specifications are subject to change without notice.

## Sensors

### Vibration



- Typically applied in wastewater media with light coating and/or foaming characteristics
- General purpose classification

### Ultrasonic



- Broadly applied in chemical, solvent, hydrocarbon and light weight oil media
- Intrinsically safe classification

### Buoyancy



- Best applied in clean water or water-like chemical media that is non-coating or scaling
- General purpose classification