

Vertical Buoyancy Level Switch

Features

- ✓ PP or PVDF Kynar® sensor and cable rated NEMA 6X or IP68
- ✓ Baffle body eliminates dry contact chatter caused by turbulence
- ✓ 15 VA dry contact with selectable NO or NC state via wire selection

Specifications

Orientation:	± 20° vertical
Accuracy:	± 2 mm in water
Repeatability:	± 1 mm in water
Specific gravity:	0.8 minimum
Contact type:	_3_1: (1) SPDT reed _2_1: (1) SPST reed
Contact rating:	_3_1: 120 VAC/VDC @ 15 VA (CE: 30 Vrms and 42.2 Vpeak or 60 VDC) _2_1: 120 VAC/VDC @ 50 VA (CE: 30 Vrms and 42.2 Vpeak or 60 VDC)
Process temp.:	F: -40° to 194° C: -40° to 90°
Pressure:	25 psi (2 bar) @ 25° C., derated @ 1.667 psi (.113 bar) per °C. above 25° C.
Sensor rating:	NEMA 6X (IP68)
Sensor material:	1__1: PP 5__1: PVDF Kynar®
Cable jacket mat.:	1__1: PP 5__1: PFA T eflon®
Cable type:	_3_1: 3-conductor, #22 AWG (shielded) _2_1: 2-conductor, #22 AWG (shielded)
Cable length:	Standard: 10' (3m) Special order: 25' (7.6m) or 50' (15.2m)
Process mount:	3/4" NPT (3/4" Rp)
Classification:	General purpose
CE compliance:	EN 50082-2 immunity EN 55011 emission EN 61010-1 safety



Description

The general purpose buoyancy level switch is a perfect choice for relatively clean water and chemical solutions with non-coating and/or scaling characteristics. Media examples include acetic acid and process water. The baffle body eliminates switch chatter caused by turbulence. The dry contact closure provides a reliable switch interface with remote devices such as a PLC, SCADA or alarm. The sensor mounts vertically inside the tank on our Smart-Trak or Switch-Pak fittings.

Buoyancy

Ordering

LV10- 1

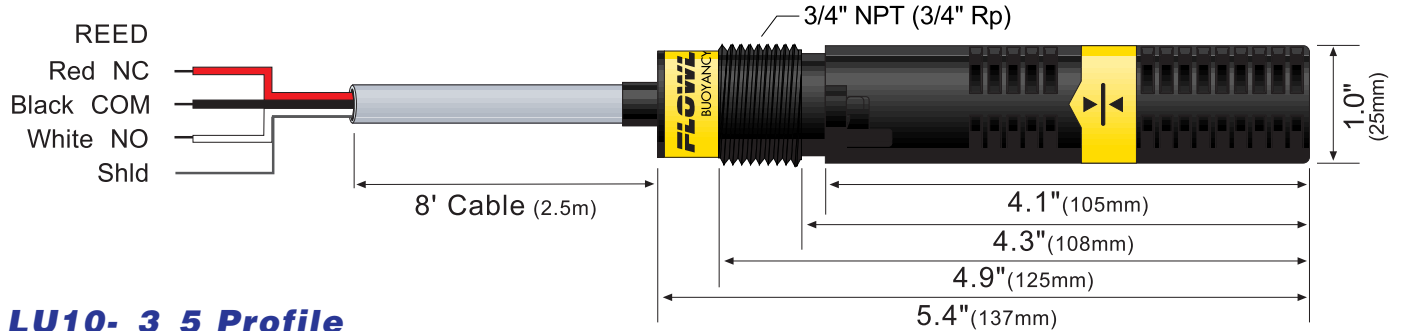
- Sensor material (1)
- 1 PP
 - 5 PVDF
- Sensor length
- 2 Short
 - 3 Long
- Process mount
- 0 3/4" NPT (US)
 - 5 3/4" Rp (Metric)

Ordering Notes

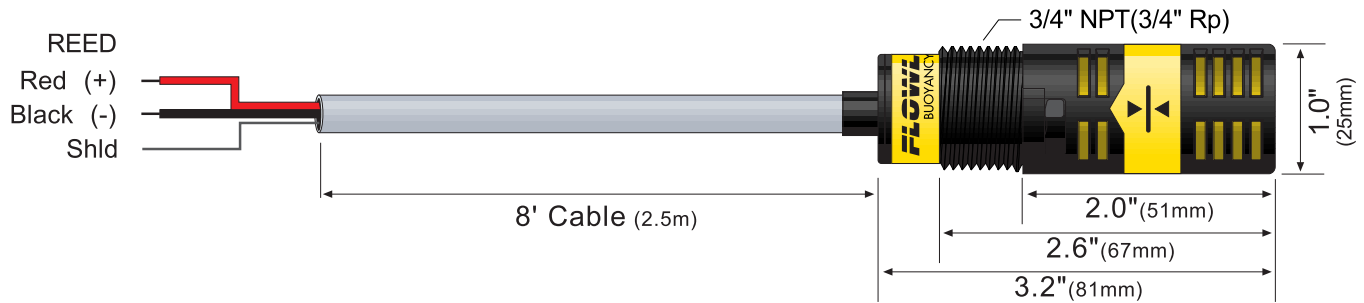
- 1) To special order a 25' (7.6m) or 50' (15.2 m) sensor cable, place the cable length at the end of the part number (ie: LV10-1301-25').

Switch-Tek™ Vertical Buoyancy Level Switch

LV10-3_1 Profile

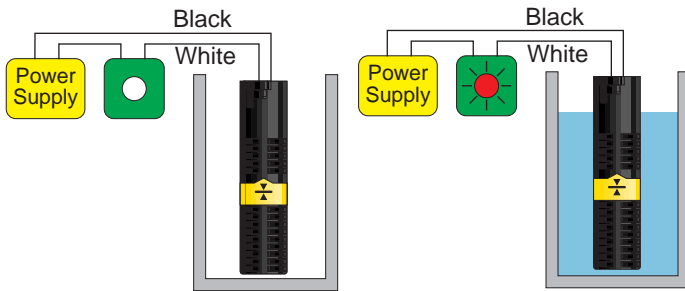


LU10-3_5 Profile

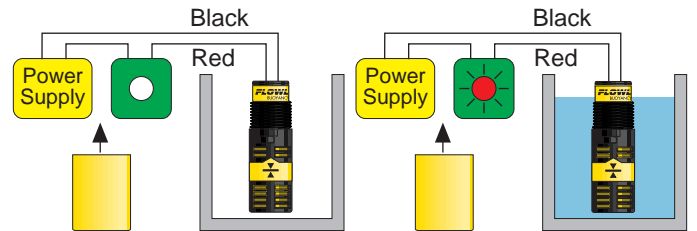


Specifications are subject to change without notice.

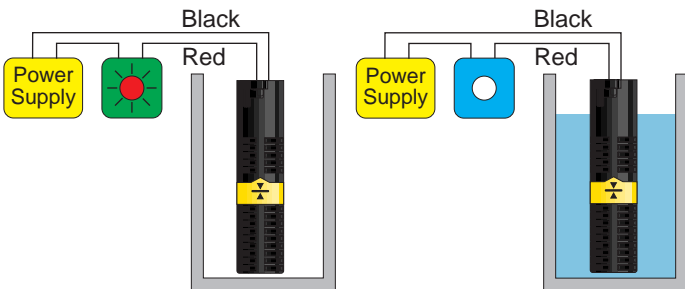
LV10-3_1 - NO Wiring



LV10-2_1 - NO Wiring



LV10-3_1 - NC Wiring



LV10-2_1 - NC Wiring

