



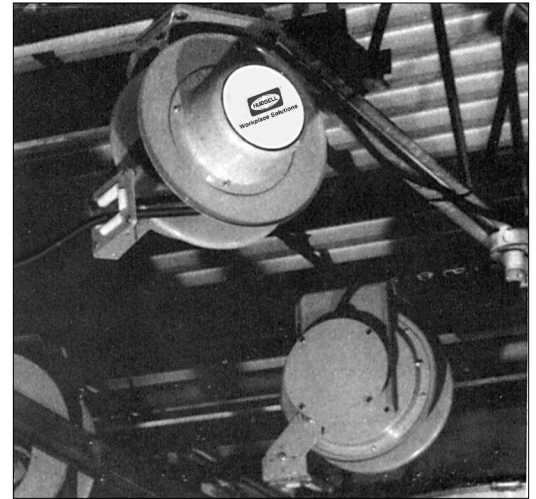
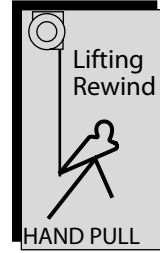
Workplace Solutions

REELS

# Heavy Duty ELECTRIC CABLE REELS

## SERIES "G" FEATURES GENERAL PURPOSE MODELS

- Fully Automatic; Machine Mountable
- All-Welded Solid Steel Construction
- Slip Rings in NEMA 4 Enclosure
- Generously Sized Junction Box
- Heavy Duty Mounting Base
- Safetychange® Spring Motor
- Weatherproof Gasket on Spring Motor
- Positive Ratchet Lock with Disengage
- Multi-position Cable Guide (Field Adjustable)
- Orange Polyester Baked-On Finish
- Cable Included
- Field Adjustable Cable Stop Included
- Optional 340° Pivot Base



### Series "G" Model Chart

**CABLE INCLUDED**

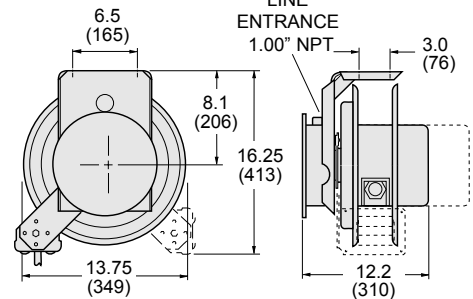
Models listed below are UL and CSA listed.



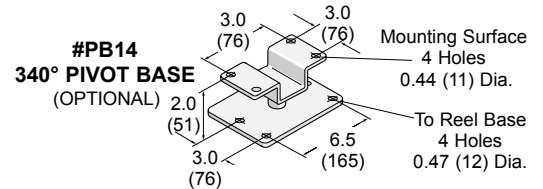
CABLE DATA				REEL CATALOG NUMBER	FLANGE DIA. in. (mm)	WEIGHT COMPLETE lbs. (kg)	340° BASE (OPTIONAL)	CABLE STOP (INCLUDED)	
RATING @600V	AWG	NO. COND.	LENGTH* ft. (m)						
10 Amp	16	3	20 (6.0)	G-232	14 (356)	39 (17.6)	PB14	CP-1	
			30 (9.0)	G-224		42 (18.9)			
			40 (12.0)	G-231		48 (21.6)			
			45 (13.5)	G-228		49 (22.0)			
			60 (18.0)	G-429		82 (36.9)			
8 Amp	16	4	20 (6.0)	G-233	14 (356)	40 (18.0)	PB14	CP-1	
			30 (9.0)	G-234		44 (19.8)			
			40 (12.0)	G-244		48 (21.6)			
			50 (15.0)	G-238		49 (22.0)			
	6	16	6	40 (12.0)	G-439	16 (406)	82 (36.9)		PB16
				45 (13.5)	G-206		54 (24.3)		
				50 (15.0)	G-26B		56 (25.2)		
				56 (25.2)					
7 Amp	8	8	40 (12.0)	G-28B	14 (356)	56 (25.2)	PB14	CP-2	
			45 (13.5)	G-38B		56 (25.2)			
			35 (10.5)	G-30B		54 (24.3)			
15 Amp	14	3	20 (6.0)	G-331	14 (356)	40 (18.0)	PB14	CP-2	
			30 (9.0)	G-253		46 (20.7)			
			40 (12.0)	G-334		50 (22.5)			
			50 (15.0)	G-358		54 (24.3)			
			70 (21.0)	G-459		84 (37.8)			
12 Amp	4	4	20 (6.0)	G-342	14 (356)	40 (18.0)	PB14	CP-2	
			25 (7.5)	G-343		44 (19.8)			
			30 (9.0)	G-363		48 (21.6)			
	6	16	6	40 (12.0)	G-344	16 (406)	52 (23.4)		PB16
				50 (15.0)	G-367		56 (25.2)		
				65 (17.5)	G-469		86 (38.7)		
				35 (10.5)	G-36C		52 (23.4)		
10 Amp	8	8	50 (15.0)	G-46C	16 (406)	92 (41.4)	PB16		
			25 (7.5)	G-38C		52 (23.4)			
			30 (9.0)	G-48C		49 (22.1)			
20 Amp	12	3	20 (6.0)	G-40C	14 (356)	53 (23.9)	PB14	CP-2	
			20 (6.0)	G-332		40 (18.0)			
			25 (7.5)	G-383		44 (19.8)			
			30 (9.0)	G-333		46 (20.7)			
			35 (10.5)	G-385		47 (21.2)			
	4	16	6	45 (13.5)	G-435	16 (406)	55 (24.8)		PB16
				50 (15.0)	G-436		69 (31.1)		
				60 (18.0)	G-430		85 (38.3)		
				20 (6.0)	G-346		40 (18.0)		
				30 (9.0)	G-394		48 (21.6)		
16 Amp	4	4	40 (12.0)	G-444	14 (356)	52 (23.4)	PB14		
			50 (15.0)	G-445		86 (38.7)			
			60 (18.0)	G-446		89 (40.1)			
14 Amp	6	8	25 (7.5)	G-463	14 (356)	51 (23.0)	PB14		
			20 (6.0)	G-482		52 (23.4)			
25 Amp	10	3	20 (6.0)	G-241	14 (356)	44 (19.8)	PB14	CP-2	
			25 (7.5)	G-242		46 (20.7)			
			30 (9.0)	G-433		48 (21.6)			
			40 (12.0)	G-434		50 (22.5)			
			50 (15.0)	G-535		86 (28.7)			
20 Amp	4	4	60 (18.0)	G-536	16 (406)	89 (40.1)	PB16		
			20 (6.0)	G-452		49 (22.1)			
			30 (9.0)	G-443		52 (23.4)			
	6	16	6	40 (12.0)	G-447	16 (406)	88 (39.6)	PB16	
				50 (15.0)	G-545		92 (41.4)		
				20 (6.0)	G-462		52 (23.4)		
				30 (9.0)	G-564		80 (36.0)		

\* Length of cable listed is for ACTIVE travel.

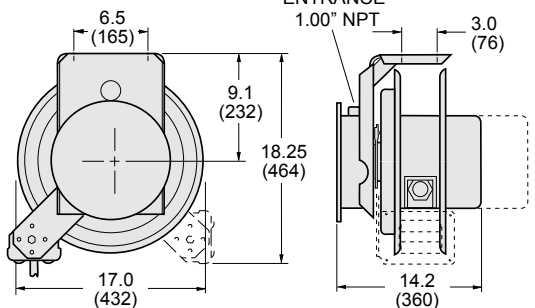
### 14 INCH REELS



Length shown 3 or 4 conductor reel.  
For 5 - 8 conductor, add 1.50" (38mm).  
For 9 - 12 conductor, add 3.00" (76mm).



### 16 INCH REELS



Length shown 3 or 4 conductor reel.  
For 5 - 8 conductor, add 1.50" (38mm).  
For 9 - 12 conductor, add 3.00" (76mm).

