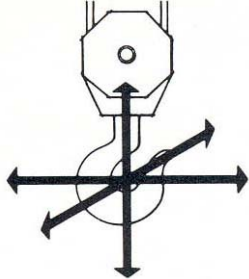




Hubbell Industrial Controls, Inc.

TYPE 4016 CRANE PROTECTIVE PANEL FOR CRANE SERVICE



Type 4016 crane protective panels provide overload and undervoltage protection for all motors on a crane where the individual control panels are furnished "without protection."

The standard crane protective panel has overload relays for three motors. Overload

relays for additional motors can be added.

Suitable for all NEMA and CMAA service classes.

Recommended for: NEMA service Class I, CMAA service Classes A1, C, D, E, F

MATERIAL LIST FOR TYPE 4016 CRANE PROTECTIVE PANEL

- 1 — Three pole main knife switch.
- 1 — Two pole fused control knife switch.
- 9 — Magnetic overload relays, inverse time.
- 1 — Control circuit rectifier.
- 1 — Control circuit transformer
- 1 — Three pole main line contactor

POWER	CRANE RATING		CONTIN. AMPS	CONTACTOR NEMA SIZE	LIST PRICE					†LIST PRICE ADDITIONAL FOR ONE SET OF O.L. RELAYS
	MAX. Total Motor HP	MAX HP for any Motion			OPEN PANEL	NEMA TYPE 1 ENCLOSED (INDOOR)	NEMA TYPE 1 ENCLOSED WITH GASKET	NEMA TYPE 3R ENCLOSED (OUTDOOR)	NEMA TYPE 12 ENCLOSED (INDOOR)	
230V 3 Phase	30	20	50	2	\$4,400	\$5,600	\$6,020	\$6,500	\$6,800	\$800
	63	40	100	3	\$6,400	\$7,600	\$8,020	\$8,500	\$8,800	\$1,400
	110	63	150	4	\$7,600	\$8,800	\$9,220	\$9,700	\$10,000	\$1,600
	50/60	225	150	300	\$9,000	\$10,200	\$10,620	\$11,100	\$11,400	\$1,800
	Hertz	450	300	600	\$12,400	\$14,000	\$14,420	\$14,900	\$15,200	\$2,900
460V 575V 3 Phase	60	40	50	2	\$4,400	\$5,600	\$6,020	\$6,500	\$6,800	\$800
	125	80	100	3	\$6,400	\$7,600	\$8,020	\$8,500	\$8,800	\$1,400
	220	125	150	4	\$7,600	\$8,800	\$9,220	\$9,700	\$10,000	\$1,600
	50/60	450	300	300	\$9,000	\$10,200	\$10,620	\$11,100	\$11,400	\$1,800
	Hertz	900	600	600	\$12,400	\$14,000	\$14,420	\$14,900	\$15,200	\$2,900

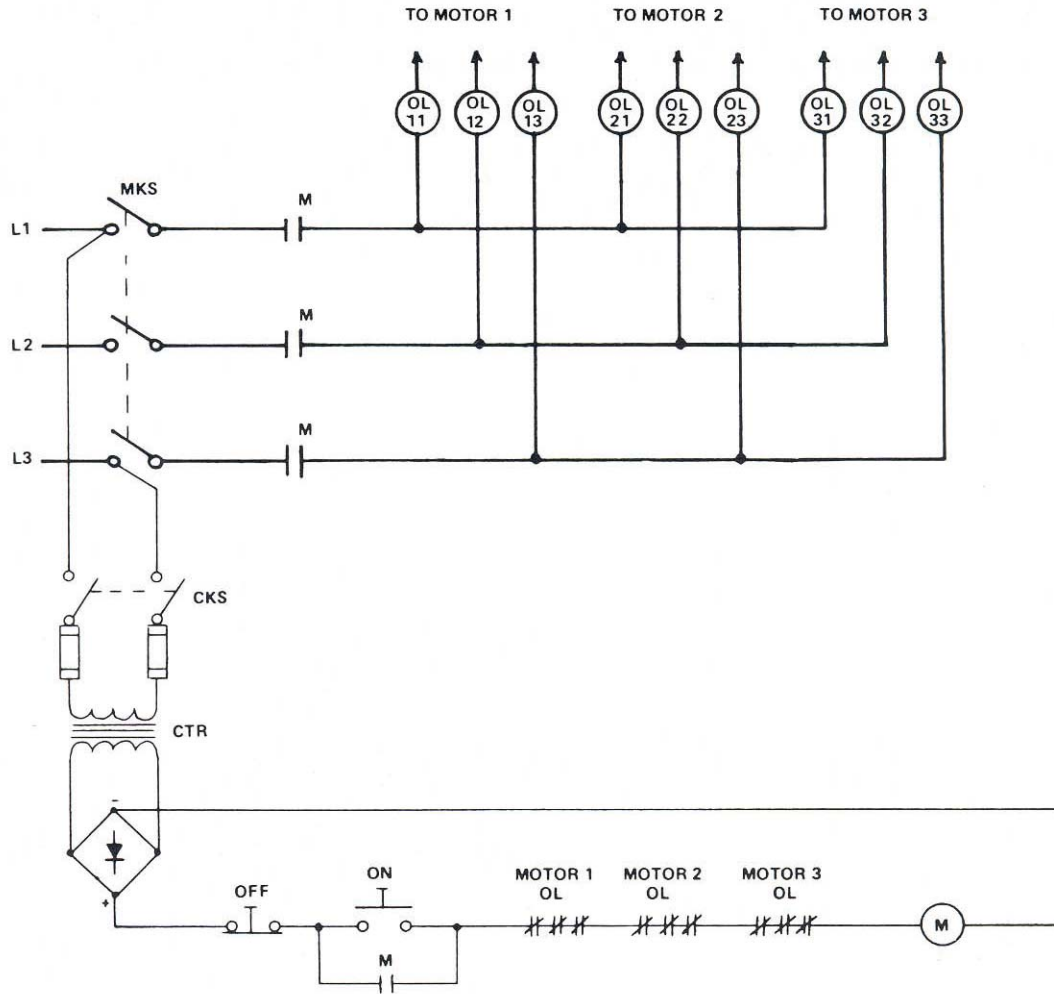
† One set of O.L. relays consists of: three inverse time magnetic overload relays

Surface Mounting Pushbutton Station:
Bulletin 2001, P/N 99826-001 (On-Off) \$60.00

Prices Subject To Change Without Notice.

* Replaces Catalog 4000, Oct. 1980

ELEMENTARY DIAGRAM FOR 3-MOTOR PROTECTIVE PANEL



Hubbell Industrial Controls, Inc.

A subsidiary of Hubbell Incorporated

4301 Cheyenne Dr., Archdale, NC. 27262

Telephone (336) 434-2800 • FAX (336) 434-2803

<http://www.hubbell-icd.com>

Sales@hubbell-icd.com