

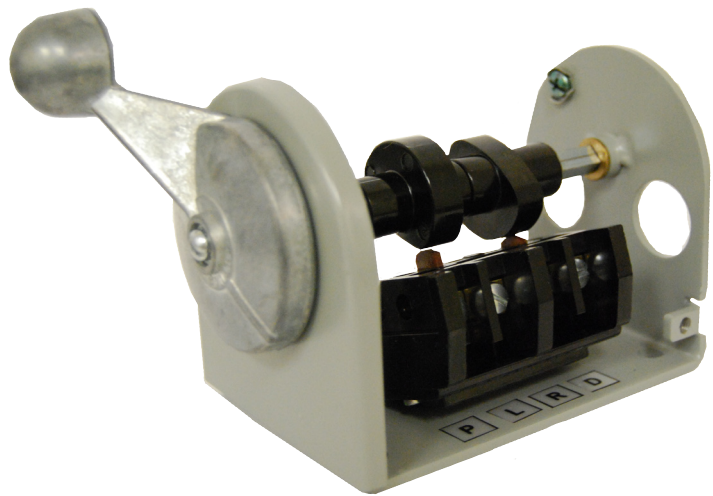
# Magnet Controller Lift/Drop Switches

4215

Catalog Price List 4215 • July 2007 • Replaces March 2004

## Features

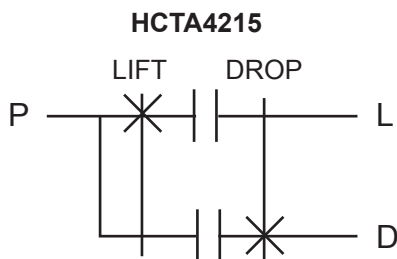
- Easy Terminal Access
- Heavy Duty Double Break Contacts
- NEMA Type 1 Enclosure



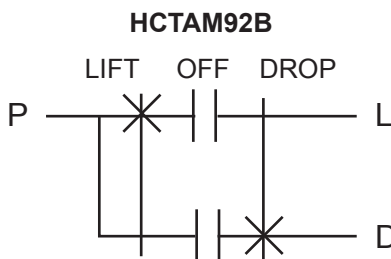
## How to Order

Part Number	Description	Discount Schedule (ET)
HCTA4215	Lift/Drop Switch Types 4291, 4292 or 4295 Controllers	\$450
HCTAM92B	Lift/Drop Switch for Type 4296 Controller	\$450
HCTAMG1	Lift/Drop Switch with Overlapping Contacts	\$450

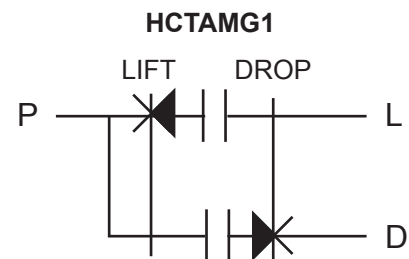
## Connection Diagrams 4291/4292/4295 Automatic Discharge Magnet Controllers



Maintained in both positions



LIFT (Maintained)  
DROP (Momentary)



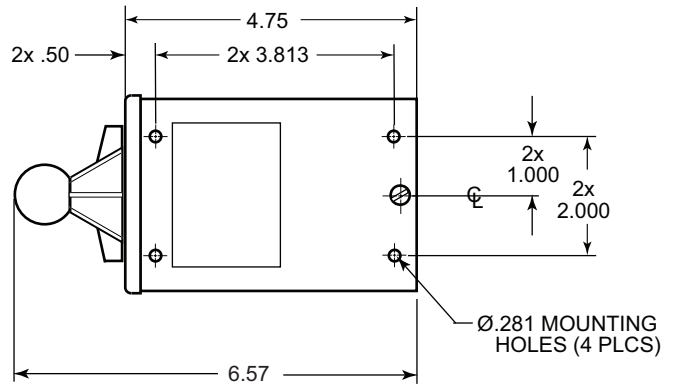
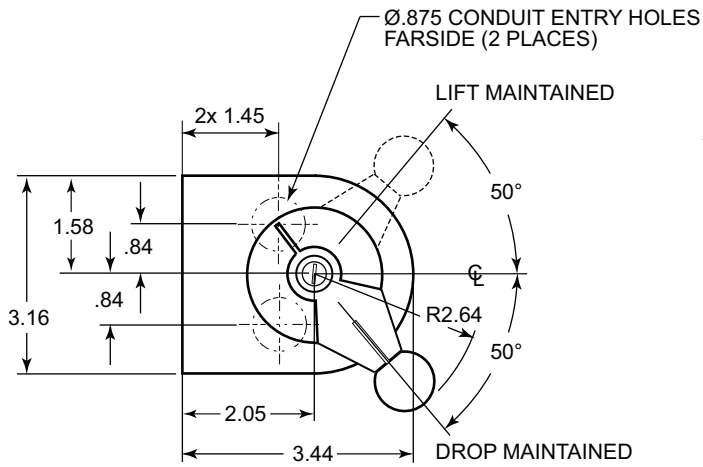
Maintained in both positions  
with overlapping contacts

## Contact Rating Table

Part Number	Voltage	Amps
HCTA4215	115/230 VDC	5
HCTAM92B	115/230 VDC	5
HCTAM92B	115/230 VDC	5

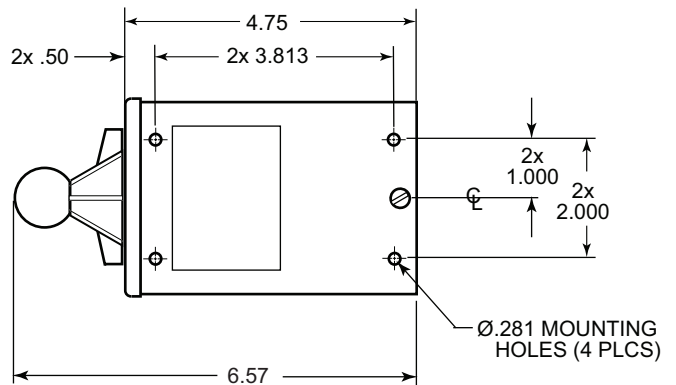
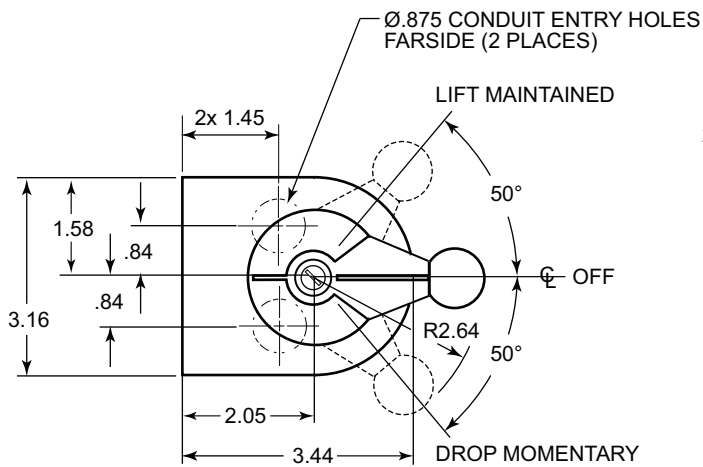


### HCTA4215 AND HCTAMG1



A-17326-003

### HCTAM92B



A-17326-002

