

56mm LT1 Series LightTowers

Display Lights with a Tower of Advantages

Key features of the LT1 series SignalLight towers include:

- Custom configurations meet your specifications—simply
- Select your flash preference, lens colors, number of tiers, mounting style, and voltage
- Choice of LED or incandescent lamps
  - LED lamps provide over 100,000 hours of service life and are interchangeable with incandescent bulbs
  - Incandescent lamps (available up to 10 watts) are vibration-resistant and provide a 2,000 hour service life
- Replace the bulbs independently; no need to disassemble the entire unit
- Heat- and shock-resistant polycarbonate lenses
- Flashing models allow each lamp to be flashed or steady
- Choice of metallic base or cost-saving plastic base
- Color-coded wires make assembly and wiring easy
- Mounting options include base and pole mount



Base Mount



Pole Mount  
(with "L" bracket)



Switches & Pilot Lights

Display Lights

Relays & Sockets

Timers

Terminal Blocks

Circuit Breakers

LT1 Specifications

Switches & Pilot Lights


Display Lights

Relays & Sockets

Timers

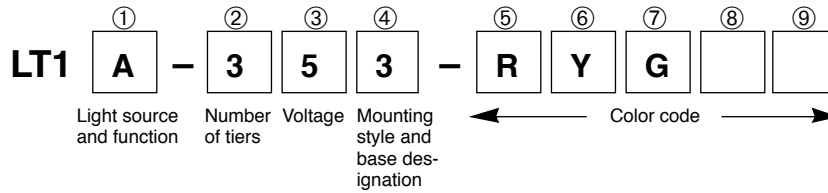
Terminal Blocks

Circuit Breakers

<b>LT1A: Incandescent, Non-Flashing</b> <b>LT1D: Incandescent, Flashing/Non-Flashing</b> <b>LT1H: LED, Non-Flashing</b> <b>LT1K: LED, Flashing/Non-Flashing</b>								
<b>Nominal Voltage</b>	12V AC/DC ±10%	24V AC/DC ±10%	120V AC ±10%	240V AC ±10%				
<b>Internal Fuse Rating</b>	3.15A	3.15A	1A	1A				
<b>Lamp Rating</b>	<b>LED</b>	12V AC/DC	24V AC/DC	120V AC	N/A			
	<b>Incandescent</b>	12V, 6W	30V, 10W	120V, 7W	240V, 10W			
<b>Current Required per Lamp</b>	<b>LED</b>		<b>Red</b>	<b>Green</b>	<b>Yellow</b>	<b>White</b>	<b>Blue</b>	N/A
		12V DC	54mA	78mA	54mA	54mA	78mA	
		24V DC	54mA	39mA	54mA	54mA	39mA	
		120V AC	30mA	30mA	30mA	30mA	30mA	
	<b>Incandescent</b>	0.4A ±10%	0.3A ±10%	0.06A ±10%	0.05A ±10%			
<b>External Contact Capacity</b>	5A	5A	2A	1A				
<b>In-Rush Current per Lamp</b>	<b>LED</b>	Not applicable						
	<b>Incandescent</b>	Below 4.0A	Below 3.0A	Below 0.6A	Below 0.5A			
<b>Lamp Style</b>	<b>LED</b>	BA15D lamp base						
	<b>Incandescent</b>	T20 glass bulb, BA15D lamp base						
<b>Lamp Life-Span</b>	<b>LED</b>	100,000 hours (minimum)						
	<b>Incandescent</b>	2,000 hours (average)						
<b>Lens Colors</b>	Red, Yellow, Green, Blue, White							
<b>Lens Diameter</b>	2.20" (56mm)							
<b>Maximum Tiers</b>	5							
<b>Degree of Protection</b>	IP20 (for indoor use only), NEMA1							
<b>Flash Rate</b>	LED: 45/minute ±10% (LT1K only) Incandescent: 80/minute ±10% (LT1D only)							
<b>Insulation Resistance</b>	More than 3MΩ by a DC 500V megger							
<b>Voltage Resistance</b>	1,500V AC for 1 minute							
<b>Operating Range</b>	-30 to +40°C (LT1A), -10 to +40°C (LT1D), 15 to 90% relative humidity							
<b>Vibration Resistance</b>	2.2G maximum							
<b>Mounting</b>	Base mount (three stud) Pole mount (horizontal or vertical surface) NPT mount (via adaptor) to 1/2" or 3/4" NPT conduit Install in an upright position							
<b>Optional Pole Height</b>	10.75" (273mm)							
<b>Approvals</b>	 File #E70646							
<b>Wire Size</b>	Non-flashing (steady): 20 AWG Flashing: 18 AWG and 20 AWG							

LT1 Part Numbers (assembled)

Part Number Guide



To determine the appropriate assembled Signalight part number, use these numbered boxes in conjunction with the codes in the *Part Numbers: Assembled Parts* table below.

Part Numbers: Assembled Parts

Box No.		Description	Code
①	Light source and function	Non-flashing (steady), incandescent lamp	A
		Flashing/non-flashing, incandescent lamp	D
		Non-flashing (steady), LED lamp	H
		Flashing/non-flashing, LED lamp	K
②	Number of tiers	Maximum of 5 tiers	1-5
③	Voltage	12V AC/DC	1
		24V AC/DC	2
		120V AC	5
		240V AC (incandescent only)	8
④	Mounting style and base designation	Beige frame cover	1
		Metallic frame cover	2
		Beige frame cover, pole incl.	3
		Metallic frame cover, pole incl.	4
⑤ - ⑨	Color code	Red	R
		Yellow	Y
		Green	G
		Blue	S
		White	W

\*Specify lens color code from the lowest to the highest tier.

Examples: Assembled Parts

Part No.	Description
LT1A-354-RRR	Non-flashing incandescent, 3 tiers, 120V AC, pole-mount, metallic base, all Red lenses
LT1D-182-S	Flashing/non-flashing incandescent, 1 tier, 240V AC, base-mount, metallic base, Blue lens
LT1D-221-RS	Flashing/non-flashing incandescent, 2 tier, 24V AC/DC, base-mount, plastic base, Red and Blue lenses
LT1H-412-RGYW	Non-flashing LED, 4 tier, 12V AC/DC, base-mount, metallic base, Red, Green, Yellow, and White lenses
LT1K-554-GSRGR	Flashing/non-flashing LED, 5 tier, 120V AC, pole-mount, metallic base, Green, Blue, Red, Green, and Red lenses



Switches & Pilot Lights

Display Lights

Relays & Sockets

Timers

Terminal Blocks

Circuit Breakers

LT1 Part Numbers (sub-assembled)



Frame



Lenses



Lamps




Top Cap

=



Complete Part

Part Numbers: Frame

Description	Part No.	Notes	Examples
<p><b>Frame</b></p> 	<p>LT1 ①-01 ② ③ *</p>	<p>① = Type                      A = Incandescent, non-flashing                      D = Incandescent, flashing/non-flashing                      H = LED, non-flashing                      K = LED, flashing/non-flashing</p> <p>② = Number of tiers (1–5)</p> <p>③ = Lamp voltage                      1 = 12V AC/DC                      2 = 24V AC/DC                      5 = 120V AC                      8 = 240V AC</p> <p>* = Frame cover (M = metallic, P = beige)</p>	<p>LT1A-0142M = Steady light, four tiers, 24V AC/DC, metallic base</p> <p>LT1D-0125P = Flashing light, two tiers, 120V AC, plastic base</p>

Bill of Materials Quantities

Description	Quantity
Body frame	Required: 1 per unit
Lens(es)	Variable: from 1–5
Top cap	Required: 1 per unit
Lamps	Variable: from 1–5
Mounting pole	Optional: 1 per unit

Switches & Pilot Lights

Display Lights

Relays & Sockets

Timers

Terminal Blocks

Circuit Breakers

LT1 Accessories

Part Numbers: Accessories

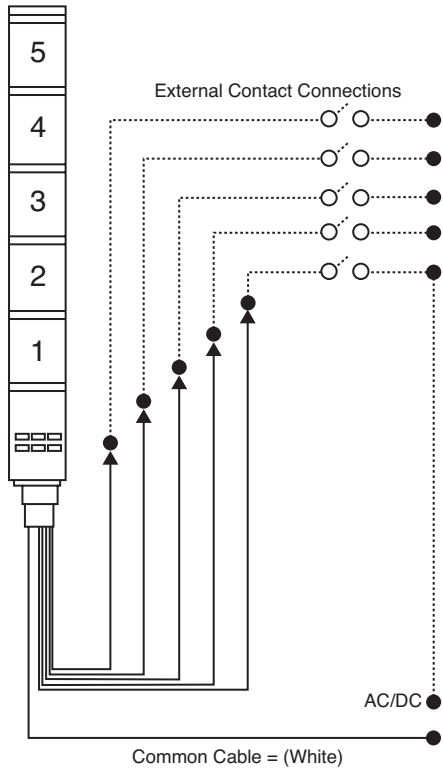
Description	Part No.	Remarks
LED Lamp 	LTXD-1 <sup>Ⓢ</sup>	12V AC/DC See chart for available colors
	LTXD-2 <sup>Ⓢ</sup>	24V AC/DC See chart for available colors
	LTXD-120 <sup>Ⓢ</sup>	120V AC See chart for available colors
Incandescent Lamp 	B5-21	12V AC/DC, 6W
	B5-31	30V, 10W (for use with 24V AC/DC)
	B5-1	120V AC, 7W
	B5-4	240V AC, 10W
Lens 	LT1X-08 <sup>Ⓢ</sup>	See chart for available colors
Top Cap 	LT1X-06	Clear polycarbonate
Mounting Pole 	LT1Z-10	Chrome-plated steel supplied with "L" bracket and two M22 x 1.5 hexagonal nuts
Pole Mounting Fixture 	LT1Z-11	Aluminum fixture for mounting pole-mounted units to horizontal surface; not included with assembled Signalight units
NPT Pole Adaptors 	LT1Z-NPT50	1/2" NPT pole adapter; not included with assembled Signalight units
	LT1Z-NPT75	3/4" NPT pole adapter; not included with assembled Signalight units

Ⓢ Lens/LED Color Code

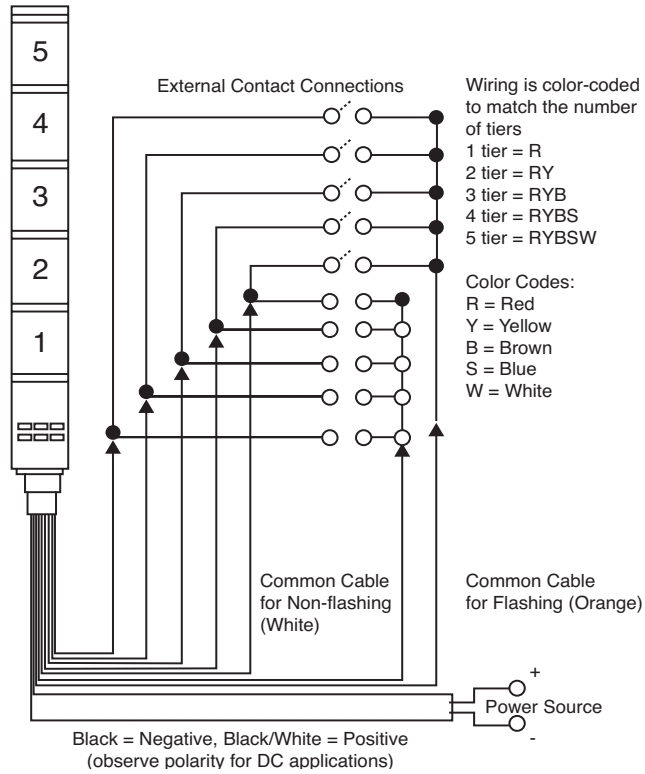
Color	Code
Green	G
Red	R
Blue	S
White	W
Yellow	Y

 In place of Ⓢ specify lens/LED color code from chart at right.

**LT1 Wiring**



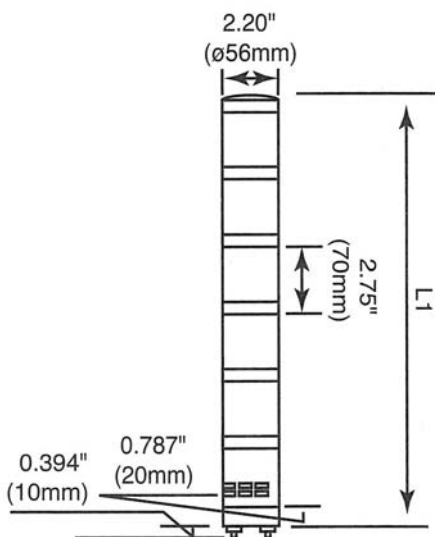
**LT1A/LT1H: Non-Flash Series**



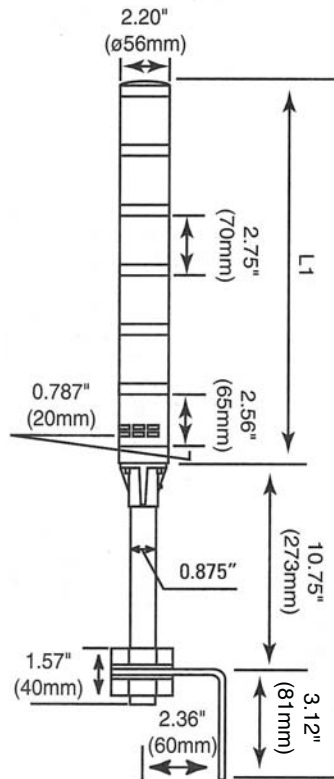
**LT1D/LT1K: Flash/Non-Flash Series**

**Signalight Dimensions**

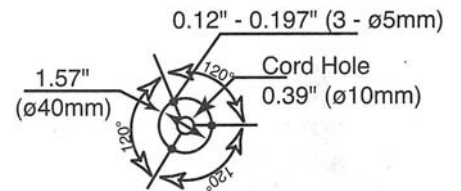
**Assembled Base Mount**



**Assembled Pole Mount**



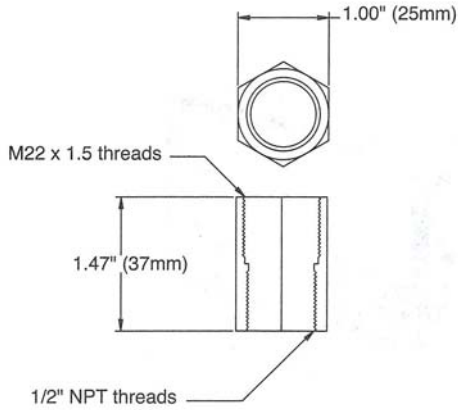
**Mounting Hole Layout: Base Mounting Style**



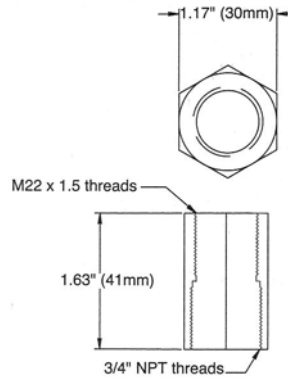
Number of Tiers	L1
1	6.7" (170mm)
2	9.4" (240mm)
3	12.2" (310mm)
4	15.0" (380mm)
5	17.7" (450mm)

LT1 Dimensions con't

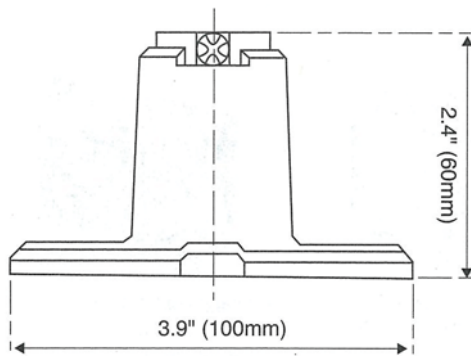
Adapter  
LT1Z-NPT50



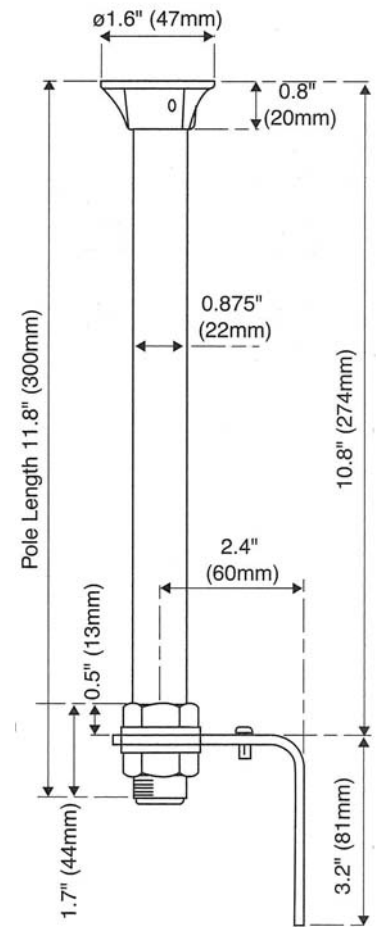
LT1Z-NPT75



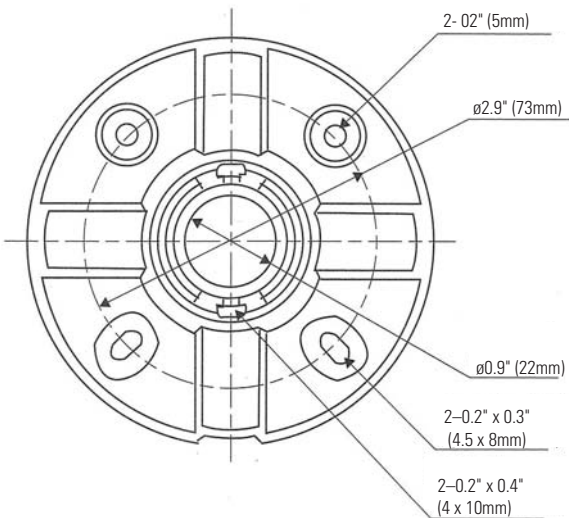
Optional Pole Mounting Base: Side View (LT1Z-11)



Mounting Pole (LT1Z-10)



Optional Pole Mounting Base: Bottom View



Mounting Bracket  
(provided with mounting pole)

