

HS2B Series Full Size Interlock Switch

HS2B features:

- Direct Opening Action: If the door is forced open, the contacts are disconnected even if they are welded or stuck
- Available with or without an indicator (red or green)
- Flexible Installation: Two actuator entries and three conduit ports are provided
- 1NC-1NO contacts
- Compact and lightweight plastic housing
- Degree of Contact Protection: IP67




GS-ET-15  
BG standard in Germany



Direct Opening Action Double Insulation

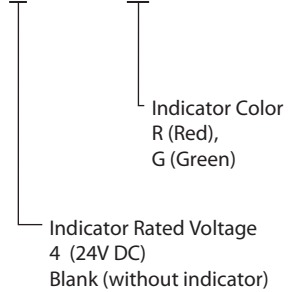
Part Numbers


Body


Model	Contact Configuration	Pilot Light	Part Number
 HS2B (plastic housing)	1NC-1NO	Without	HS2B-11NB
		With red LED	HS2B-114NB-R
		With green LED	HS2B-114NB-G

Part Number Key

HS2B - 11 4 N B - R



 Order the actuators separately (not supplied with the switch).

 Not necessary to specify color if indicator option not chosen.

Actuator Keys & Accessories

Appearance	Part Number	Description
	HS9Z-A1	Straight Actuator (Mainly for sliding doors)
	HS9Z-A2	Right-angle Actuator (Mainly for rotating doors)
	HS9Z-A3	Adjustable Actuator
	HS9Z-P1	Conduit Opening Plug

**Specifications**

<b>Conforming to Standards</b>	IEC60947-5-1, EN60947-5-1, GS-ET-15, UL508				
<b>Operating Temperature</b>	-25 to +70°C (no freezing)				
<b>Storage Temperature</b>	-40 to +80°C				
<b>Operating Humidity</b>	85% RH maximum (no condensation)				
<b>Altitude</b>	2,000m maximum				
<b>Rated Insulation Voltage (Ui)</b>	300V (between LED and ground: 60V)				
<b>Impulse Withstand Voltage (Uimp)</b>	4 kV (between LED and ground: 2.5 kV)				
<b>Insulation Resistance</b>	Between live and dead metal parts: 100 MΩ minimum Between live metal part and ground: 100 MΩ minimum Between live metal parts: 100 MΩ minimum Between terminals of the same pole: 100 MΩ minimum				
<b>Electric Shock Protection Class</b>	Class II (IEC61140)				
<b>Pollution Degree</b>	3 (IEC60947-5-1)				
<b>Degree of Protection</b>	IP67 (IEC60529)				
<b>Vibration Resistance</b>	<b>Operating Extremes</b>	10 to 55 Hz, amplitude 0.5mm			
	<b>Damage Limits</b>	60 m/sec <sup>2</sup> (approx. 6G)			
<b>Shock Resistance</b>	1,000 m/sec <sup>2</sup> (approx. 100G)				
<b>Actuator Operating Speed</b>	1 m/sec maximum				
<b>Positive Opening Travel</b>	11 mm minimum				
<b>Positive Opening Force</b>	36N minimum				
<b>Thermal Current (Ith)</b>	10A				
<b>Rated Operating Current (Ie)</b>	Operating Voltage (Ue)		30V	125V	250V
	AC	Resistive load (AC12)	10A	10A	6A
		Inductive load (AC15)	10A	5A	3A
	DC	Resistive load (DC12)	8A	2.2A	1.1A
Inductive load (DC13)		4A	1.1A	0.6A	
<b>Operating Frequency</b>	900 operations/hour				
<b>Mechanical Life</b>	1,000,000 operations				
<b>Electrical Life</b>	100,000 operations (rated load)				
<b>Conditional Short-circuit Current</b>	100A (IEC60947-5-1)				
<b>Recommended Short Circuit Protection</b>	250V, 10A fuse (Type D01 based on IEC60269-1, 60269-2)				
<b>Indicator</b>	<b>Operating Voltage</b>	24V DC			
	<b>Current</b>	10 mA			
	<b>Light Source</b>	LED lamp			
	<b>Lens Color</b>	Red or Green (12 mm dia. Lens)			
<b>Weight</b>	Approx. 130g				

Application Examples and Circuit Diagrams

HS2B

	Status 1	Status 2
Door/ Switch Status	<ul style="list-style-type: none"> <li>• Door Closed</li> <li>• Machine ready to operate</li> </ul>	<ul style="list-style-type: none"> <li>• Door opened</li> <li>• Machine cannot be started</li> </ul>
Door		
HS2B-11 (1NO-1NC) Circuit Diagram		
Main Circuit	3-4: Closed	3-4: Open
Aux. Circuit	1-2: Open	1-2: Closed

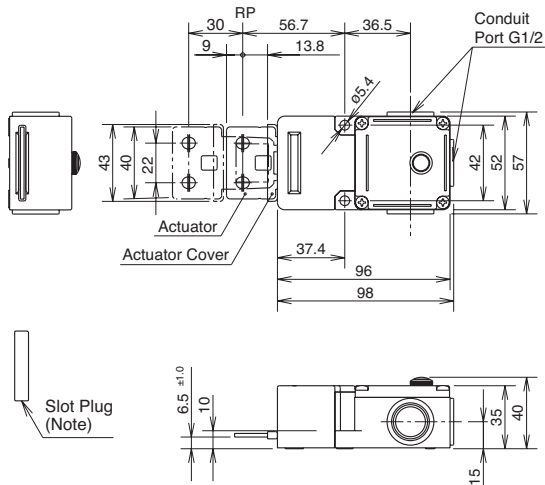


1. Main Circuit: used to enable the machine to start only when the main circuit is closed.  
Auxiliary Circuit: used to indicate whether the main circuit or door is open or closed.
2. Terminals + and - are used for the LED indicator, and are isolated from door status.

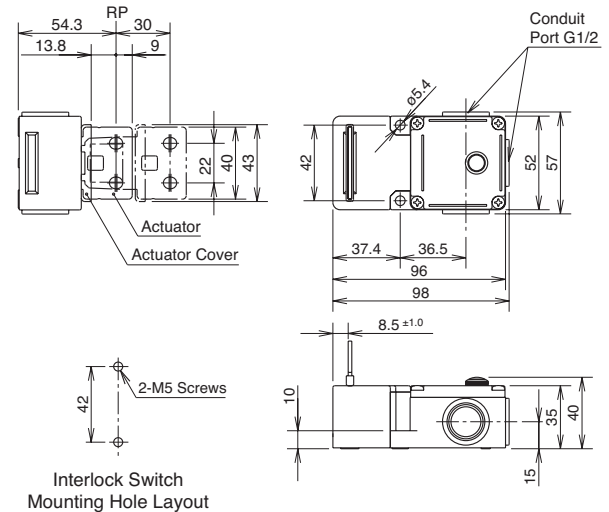
Dimensions (mm)

HS2B - using the straight actuator (HS9Z-A1)

(Horizontal Mounting)



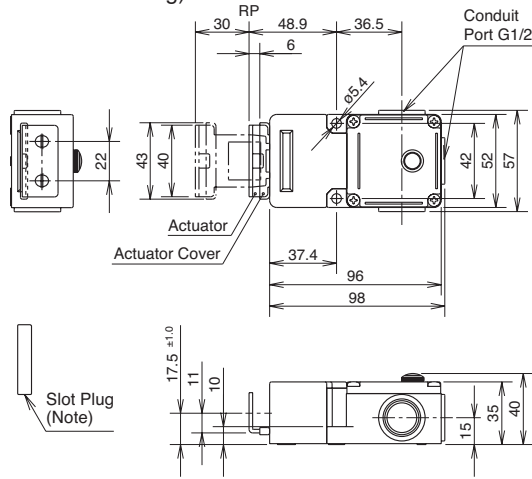
(Vertical Mounting)



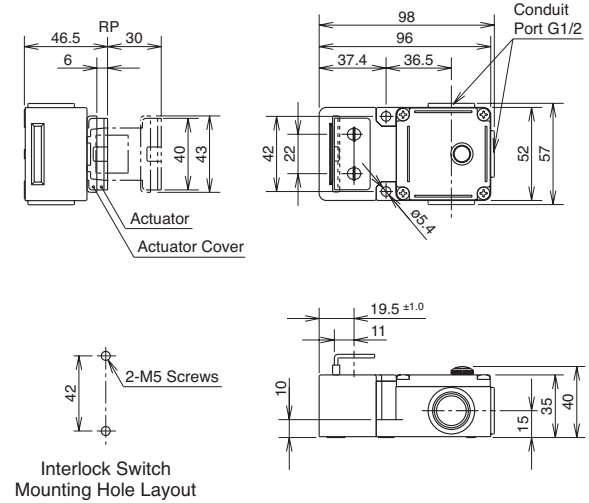
Dimensions (mm), continued

HS2B - using the Right-angle actuator (HS9Z-A2)

(Horizontal Mounting)



(Vertical Mounting)

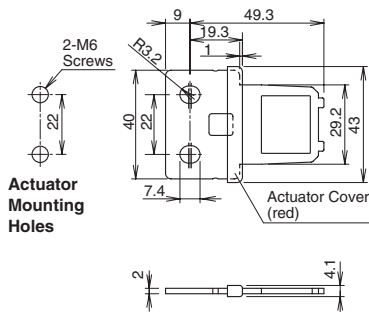


Interlock Switch Mounting Hole Layout

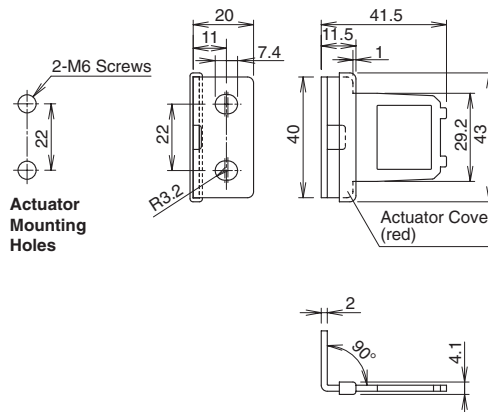
Plug the unused actuator insertion slot using the slot plug supplied with the interlock switch.

Actuator Dimensions

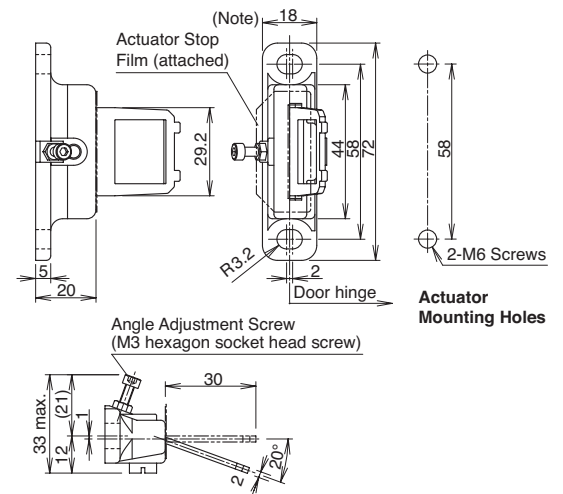
Straight Actuator HS9Z-A1



Right-angle Actuator HS9Z-A2



Angle-adjustable Actuator HS9Z-A3



Adjustable Actuator

The actuator angle is adjustable (0° to 20°) for hinged doors.

The minimum radius of the door opening can be as small as 100mm.

Actuator Angle Adjustment

- Using the screw (M3 hex socket head screw), the actuator angle can be adjusted (refer to the dimensional drawing). Adjustable angle: (0°) to 20°
- The larger the adjusted angle of the actuator, the smaller the applicable radius of the door opening.

- After installing the actuator, open the door. Then adjust the actuator so that its edge can be inserted properly into the entry slot of the safety switch.
- Recommended tightening torque: 0.8 N-m (approx. 8.0 kgf-cm)
- After adjusting the actuator angle, apply loctite or the like to the adjustment screw to prevent it from loosening.

### Safety Precautions

- In order to avoid electric shock or a fire, turn the power off before installation, removal, wire connection, maintenance, or inspection of the switch.
- If relays are used in the circuit between the safety switch and the load, consider degrees of the danger and use safety relays, since welded or sticking contacts of standard relays may invalidate the functions of the safety switch.
- Do not place a PLC in the circuit between the safety switch and the load. The safety security can be endangered in the event of a malfunction of the PLC.
- Do not disassemble or modify the switch. It may cause a breakdown or an accident.

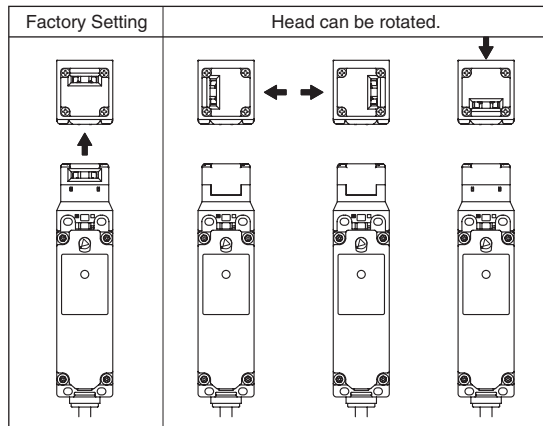
### Operation Precautions - for all series

- Regardless of door types, do not use the safety switch as a door stop. Install a mechanical door stop at the end of the door to protect the safety switch against excessive force.
- Do not apply excessive shock to the switch when opening or closing the door.
- A shock to the door exceeding 1,000 m/sec<sup>2</sup> (approx. 100G) may cause the contacts of the switch to chatter, and a malfunction of the switch may occur.
- For connection of wires, unscrew the cover. Unnecessary loosening of other screws may cause a malfunction of the switch.
- Prevent foreign objects such as dust and liquids from entering the switch while connecting conduit or wiring.
- If the operating atmosphere is contaminated, use a protective cover to prevent the entry of foreign objects into the switch through the actuator entry slots.
- Entry of a considerable amount of foreign objects into the switch may affect the mechanism of the switch and cause a breakdown.
- Do not store the switches in a dusty, humid, or organic-gas atmosphere.

### HS5E/HS5B Precautions

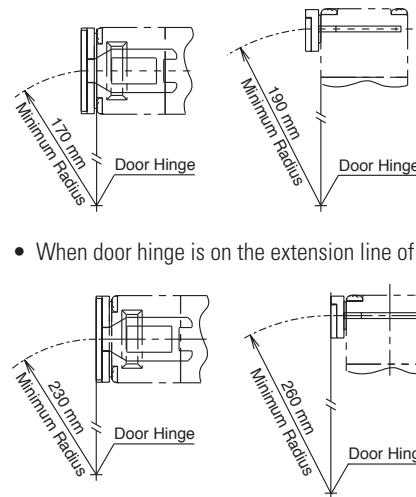
#### For Rotating Head Directions

- The heads of the HS5E/HS5B can be rotated in 90° increments after removing the 4 screws on the corners of the head. Prevent entry of foreign objects into the switch during removal of the head. Tighten these screws with torque designated in the instruction sheet. Improper torque may cause errors.



#### Minimum Radius of Hinged Doors

- When using the interlock switch on hinged doors, refer to the minimum radius of doors shown below. When using on doors with small minimum radius, use the angle adjustable actuator (HS9Z-A55).



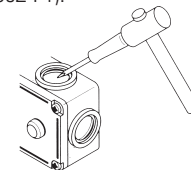
- When door hinge is on the extension line of the actuator mounting surface:

### HS2B Precautions

#### Wire Connection

- The HS2B has 3 conduit ports, which are closed as a part of the molded switch housing.
- Make an opening for wire connection by breaking one of the conduit-port knockouts on the switch housing using a screwdriver.
- When breaking the conduit port, take care not to damage the contact block or other parts inside the switch.

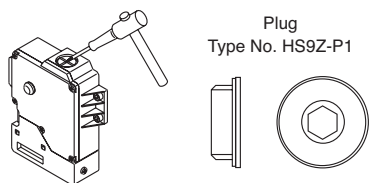
- Cracks or burrs on the conduit entry may deteriorate the housing protection against water.
- When changing to another conduit port, close the unused opening with an optional plug (Part No. HS9Z-P1).



### HS1E Precautions

#### Wire Connection

- Make an opening for wire connection by breaking one of the conduit-port knockouts on the switch housing using a screwdriver.
- Before breaking the knockout, temporarily remove the connector-fixing lock nut from the switch.
- When breaking the knockout, take care not to damage the contact block or other parts inside the switch.
- Cracks or burrs on the conduit entry may deteriorate the housing protection.
- When changing to the other conduit port, close the unused opening with an optional plug (accessory).

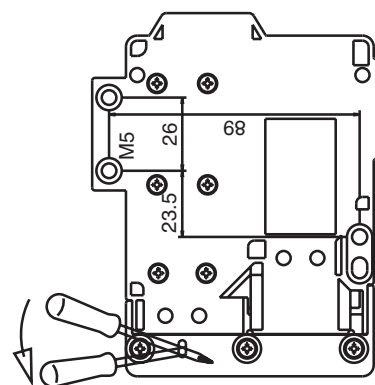
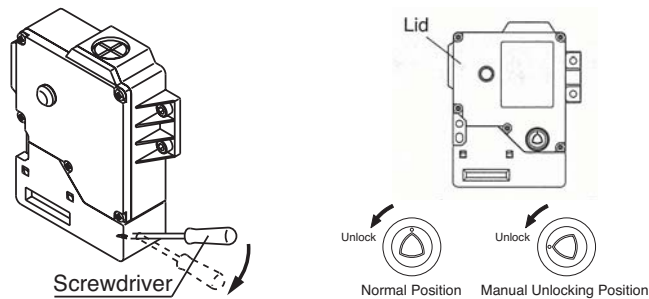


#### Manual Unlocking

- Remove the screw located on the unlocking entry at the side of the switch using the key wrench included with the switch. Then insert a small screwdriver into the switch to push the lever inside of the switch toward the indicator until the actuator is unlocked (refer to the diagram on the right).
- Insert a small screwdriver into the elliptical hole on the back of the switch, then push the lever inside of the switch toward the indicator until the actuator is unlocked (refer to the diagram on the right).



1. This unlocking method is intended for an escape from a machine when a person is locked in. For access to the unlocking entry, an access hole should be opened on the mounting panel. When opening the hole, apply proper protection against water or other foreign objects.
2. Caution: After the unlocking operation, put the screw back into the unlocking entry for safety.

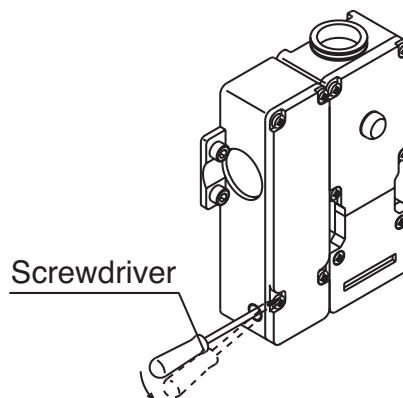


### HS1C Precautions

- Regardless of door type, do not use the safety switch as a locking device. Install a locking device independently, for example, using a metal latch (also applicable to HS1E).
- The safety switch cover can be only removed with the special key wrench supplied with the switch or with the optional screwdriver (also applicable to HS1B and HS1E).
- Remove the screw located on the unlocking entry at the side of the switch using the key wrench included with the switch. Then insert a small screwdriver into the switch to push the lever inside of the switch toward the indicator until the actuator is unlocked (refer to the diagram on the right).



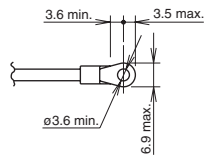
Caution: After the unlocking operation, put the screw back into the unlocking entry for safety.



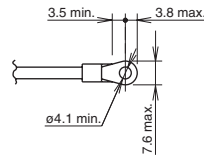
Operation Precautions

Applicable Crimping Terminals

- (Refer to the Crimping Terminal 1 or 2 shown in the drawing below.)
- HS1C  
Terminals No. 1 to 6: Use solid or stranded wires only (crimping terminals not applicable).  
Terminals No. 7 and 8: Crimping Terminal 1  
Ground Terminal: Crimping Terminal 2
- HS1B  
Ground Terminal: Crimping Terminal 2  
Other Terminals: Crimping Terminal 1  
HS2B, HS5B, and HS1E  
Crimping Terminal 1

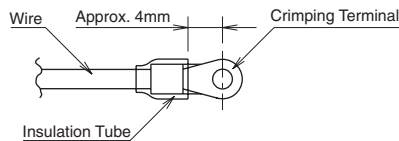


Crimping Terminal 1



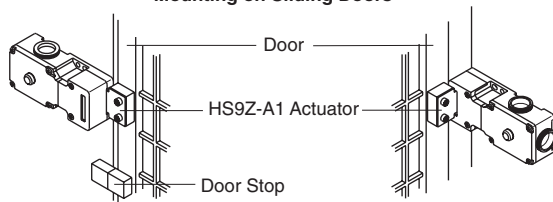
Crimping Terminal 2

Use an insulation tube on the crimping terminal.

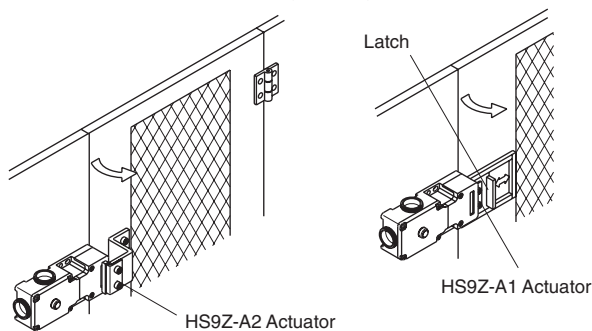


Installation Examples (see the diagrams below)

Mounting on Sliding Doors

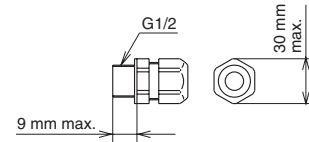


Mounting on Hinged Doors



Applicable Connectors (As shown below)

- Use connectors which maintain the IP67 protection.
- Applicable Connector Dimensions
- Flex Conduit: VF03 (Japan Flex) [www.nipolex.co.jp](http://www.nipolex.co.jp)
- Steel Connector (G1/2): ALC-103 (PF13.5): RBC-103PG13.5



Recommended Screw Tightening Torque

- HS1C: 5.0±0.5 N-m (approx. 50±5 kgf-cm)  
(4 or 6 pcs of M5 hex socket head cap screws)
- HS1B: 5.0±0.5 N-m (approx. 50±5 kgf-cm)  
(2 or 4 pcs. of M5 hex socket head cap screws)
- HS2B: 5.0±0.5 N-m (approx. 50±5 kgf-cm)  
(2 pcs of M5 hex socket head cap screws)
- HS5B: 4.0±0.4 N-m (approx. 40±4 kgf-cm)  
(2 pcs of M4 hex socket head cap screws)
- HS1E: 5.0±0.5 N-m (approx. 50±5 kgf-cm)  
(4 or 6 pcs of M5 hex socket head cap screws)
- Actuator (HS9Z-A1/A2)  
5.0±0.5 N-m (approx. 50±5 kgf-cm)
- (2 pcs. of M6 hex socket head cap screws)  
Actuator (HS9Z-A51/A52)
- 2.0±0.2 N-m (approx. 20±2 kgf-cm)  
(2 pcs of M4 hex socket head cap screws)
- 1.0±0.2 N-m (approx. 10±2 kgf-cm)  
(2 pcs of M4 Phillips screws)

The screws are supplied by the user.

Applicable Wire Size

- HS1C: 0.5 to 0.75 mm<sup>2</sup> (Terminals No.1, 2, 5 to 8)  
1.0 to 1.25 mm<sup>2</sup> (Terminals No.3, 4, and grounding terminal)
- HS5B: 0.5 to 1.25 mm<sup>2</sup>
- HS1E: 0.5 to 1.25 mm<sup>2</sup>

**Actuator Angle Adjustment**

- Using the screw (M3 hex socket head screw), the actuator angle can be adjusted (refer to the dimensional drawing). Adjustable angle: (0°) to 20°
- The larger the adjusted angle of the actuator, the smaller the applicable radius of the door opening.

- After installing the actuator, open the door. Then adjust the actuator so that its edge can be inserted properly into the entry slot of the safety switch.
- Recommended tightening torque: 0.8 N-m (approx. 8.0 kgf-cm)
- After adjusting the actuator angle, apply loctite or the like to the adjustment screw so as to prevent its loosening.

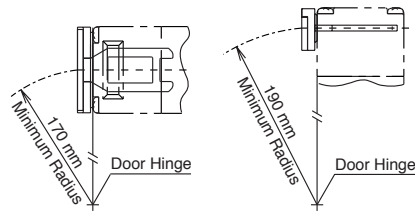
**Minimum Radius of Hinged Door**

- When using the interlock switch on hinged doors, refer to the minimum radius of doors shown below. When using on doors with small minimum radius, use the angle adjustable actuator (HS9Z-A55).

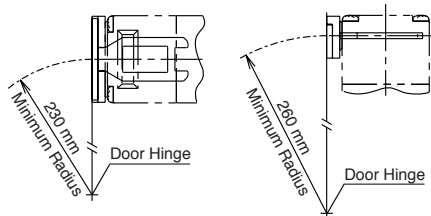
Note: Because deviation or dislocation of hinged doors may occur in actual applications, make sure of the correct operation before installation.

**When using the HS9Z-A52 Actuator**

- When the door hinge is on the extension line of the interlock switch surface:



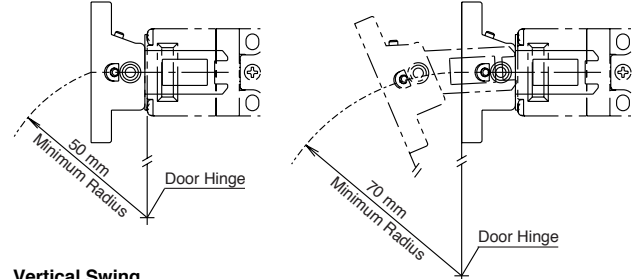
- When door hinge is on the extension line of the actuator mounting surface:



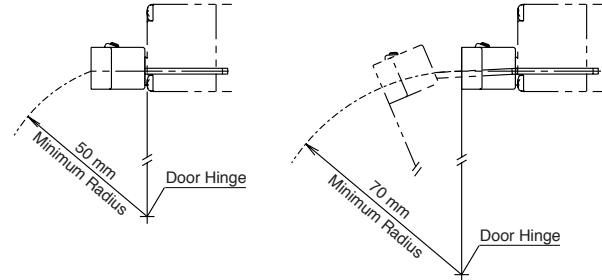
**When using the HS9Z-A55 Angle Adjustable Actuator**

- When door hinge is on the extension line of the interlock switch surface: 50 mm
- When door hinge is on the extension line of the actuator mounting surface: 70 mm

**Horizontal Swing**



**Vertical Swing**

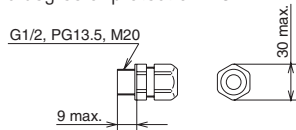


**Actuator Angle Adjustment for the HS9Z-A55**

- Using the angle adjustment screw, the actuator angle can be adjusted (see figures on page 370). Adjustable angle: 0 to 20°
- The larger the adjusted angle of the actuator, the smaller the applicable radius of the door opening.
- After installing the actuator, open the door. Then adjust the actuator so that its edge can be inserted properly into the actuator entry slot of the interlock switch.
- After adjusting the actuator angle, apply Loctite to the adjustment screw so that the screw will not loosen.

**Applicable Cable Glands**

Use a cable gland with a degree of protection IP67



all dimensions in mm

**When Using Flexible Conduits (Example)**

Flexible conduit example: VF-03 (Nihon Flex)

Conduit Port Size	Plastic Cable Gland	Metal Cable Gland
G1/2	—	RLC-103 (Nihon Flex)
PG13.5	—	RBC-103PG13.5 (Nihon Flex)
M20	—	RLC-103EC20 (Nihon Flex)

**When Using Multi-core Cables (Example)**

Conduit Port Size	Plastic Cable Gland	Metal Cable Gland
G1/2	SCS-10* (Seiwa Electric)	ALS-16** (Nihon Flex)
PG13.5	ST13.5 (K-MECS)	ABS-**PG13.5 (Nihon Flex)
M20	ST-M20X1.5 (K-MECS)	ALS-**EC20 (Nihon Flex)

- Different cable glands are used depending on the cable sheath outside diameter. When purchasing a cable gland, confirm that the cable gland is applicable to the cable sheath outside diameter.
- When using a 1/2-14NPT cable gland, use the HS5B interlock switch with M20 conduit port (Part No.: HS5B-\*\*\*BM) together with an adapter (Part No.: MA-M/NPT 20X1.5 5402-0110, K-MECS) and a gasket (Part No.: GP M20, K-MECS). Install a gasket between the interlock switch and the adapter. Apply sealing tape between the cable gland and the adapter to make sure of IP67 protection for the enclosure.