

70mm LightTowers

Easily build or modify the combination that works for you!

The LT7 light tower combines innovative LED technology with modular sty assembly. This enables the towers to meet the extensive requirements see most status indicating applications. The simple design uses only 9 modular components to make a five color tower complete with alarm and flashing function.

Using the latest and brightest LEDs, the LT7 product range provides brilliant illumination for all the lens colors. The unique prism cut design enhances brightness and ensures outstanding levels of visibility from any direction at a distance.

Key features of the LT7 series light towers include:

- 70mm diameter
- Ultra bright LEDs
- LED strobe modules
- Unique interlocking construction
- Fast and easy assembly
- Optional adjustable alarm
- Lead-free design, RoHS compliant
- IP65 environment protection, NEMA Type 4, 4X, 13
- Color-coded wiring terminals
- Only nine modular components with 5 lens colors & 4 base units
- UL/c-UL Listed, CE marked



Part Numbers

Part Numbers: Base Units

| Voltage | Steady | Flashing/Buzzer |
|------------|-------------|-----------------|
| 24V DC | LT7B-D24 | LT7B-D24FB |
| | LT7B-D24SB* | |
| 90-250V AC | LT7B-A250 | LT7B-A250FB |

- 1. Base unit comes with top cap.
- 2. *Short body, black base type.

Part Numbers: Lens/LED Units

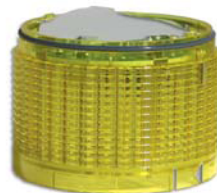
| Color | Part Number |
|--------------|-------------|
| Red | LT7A-R |
| Amber Yellow | LT7A-Y |
| Green | LT7A-G |
| Blue | LT7A-S |
| White | LT7A-C |
| Lemon Yellow | LT7A-LY* |

*Maximum 5 LED color variations per base. Lemon yellow LED module and amber yellow LED module share same signal and both will light if stacked together.

Part Numbers: LED-Strobe Units

| Color | Part Number |
|--------------|-------------|
| Red | LT7A-XE-R |
| Amber Yellow | LT7A-XE-Y |
| Green | LT7A-XE-G |
| Blue | LT7A-XE-S |
| White | LT7A-XE-C |

(for 24V DC base only)



Lemon Yellow LED module



Short body type



Switches & Pilot Lights

Display Lights

Relays & Sockets

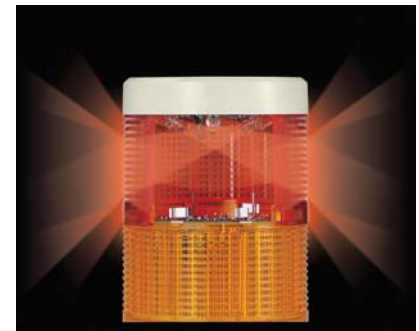
Timers

Terminal Blocks

Circuit Breakers

LT7 Specifications

| Base Units | | LT7B-D24 LT7B-D24SB | | LT7B-D24FB | | LT7B-A250 | | LT7B-A250FB | | |
|----------------|-----------------------------|---------------------------|--------------------------|----------------------|------|---------------------------|----------------------|-----------------|---|---|
| Specifications | Operation/Function | Steady | | Flashing/Steady | | Steady | | Flashing/Steady | | |
| | Rated Voltage | 24V DC | | | | 90~250V AC (50/60Hz) | | | | |
| | Operating Voltage | 24V ±10% (21.6~26.4V) | | | | 90~250V AC (50/60Hz) | | | | |
| | Alarm | – | Alarm 1* | Alarm 2** | – | Alarm 1* | Alarm 2** | – | – | |
| | Current Consumption | – | 50±10mA | 24±10mA | – | 50±10mA | 24±10mA | – | – | |
| | Power Consumption | – | 1.2±0.25W | 0.58±0.25W | – | 1.8±0.25W | 1.3±0.25W | – | – | |
| | Alarm Sound Level | Max | – | 90dB±5 (at 1m) | | – | 90dB±5 (at 1m) | | – | – |
| | | Min | – | 70dB or less (at 1m) | | – | 70dB or less (at 1m) | | – | – |
| | Flashing Cycle | – | 60±12 flashes per minute | | – | 60±12 flashes per minute | | – | – | |
| | Operating Temperature Range | -30°C~+60°C | | | | -25°C~+55°C | | | | |
| | Mounting | Upright, indoor only | | | | Upright, indoor only | | | | |
| | Protection | IP65, NEMA Type 4, 4X, 13 | | | | IP65, NEMA Type 4, 4X, 13 | | | | |
| Weight | 250g | 280g | | 310g | 340g | | – | – | | |
| Open Collector | PNP/NPN | | | | NPN | | | | | |



Ultra-bright LEDs



Color Coded Wiring Terminals

Switches & Pilot Lights

Display Lights

Relays & Sockets

Timers

Terminal Blocks

Circuit Breakers

*Alarm 1: continuous sound
*Alarm 2: intermittent sound

| Lens/LED and LED-Strobe Units* | | LT7A-R | LT7A-Y | LT7A-G | LT7A-S | LT7A-C | LT7A-LY | LT7A-XE-R | LT7A-XE-Y | LT7A-XE-G | LT7A-XE-S | LT7A-XE-C | | |
|--------------------------------|-----------------------------|-----------------|--------------|-----------|--------|--------|--------------|-------------|--------------|-------------|-----------|-------------|--|-------------|
| Specifications | LED Unit Type | Steady/Flashing | | | | | | Strobe | | | | | | |
| | LED Unit Color | Red | Amber Yellow | Green | Blue | White | Lemon Yellow | Red | Amber Yellow | Green | Blue | White | | |
| | Current/Power | 52mA/1.25W | | 42mA/1.0W | | | | 280mA/6.96W | | 130mA/3.36W | | 260mA/6.48W | | 270mA/6.72W |
| | Operating Temperature Range | -30°C~+60°C | | | | | | -10°C~+60°C | | | | | | |
| | Weight | 60g | | | | | | 70g | | | | | | |

- *Operate with all voltage base units listed on previous page.
1. Strobe units pulse 77 times per minute
 2. Strobe units suitable only for BASE unit [LT7B-D24(FB)]. Units do NOT work with BASE unit [LT7B-A250(FB)].
 3. Strobe units should be operated in 'Continuous light' mode. If it is operated in flashing mode, it will NOT operate correctly.

4. Do not substitute parts of units from other products.
5. This product can be used only indoors. Do not use outdoors.
6. Do not use without LED unit or top cover installed.

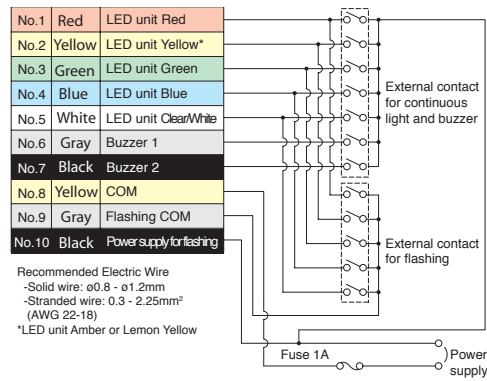
Accessories & Replacement Parts

| | | | | | | | | |
|-------------------------------|------------------------------------|----------------------------------|---------------------------------------|--------------------------------------|------------------------------------|-------------------------------|--|-------------------------------------|
| | | | | | | | | |
| LT9Z-7T | LT9Z-7L | LT9Z-SZ007 | LT9Z-SZ020* | LT9Z-SZ018 | LT9Z-SZ50NPT | LT9Z-HCLT7 | LT9Z-M4NUTSLT7 | LT9Z-ORINGLT7 |
| mounting pole with base mount | mounting pole with L-angle bracket | 90 degree angle mounting bracket | wall mounting bracket (pole required) | wall mounting bracket (direct mount) | 1/2" NPT aluminum mounting adapter | replacement top cap (1 piece) | Replacement M4 mounting nuts (1 piece) | Replacement O-ring gasket (1 piece) |

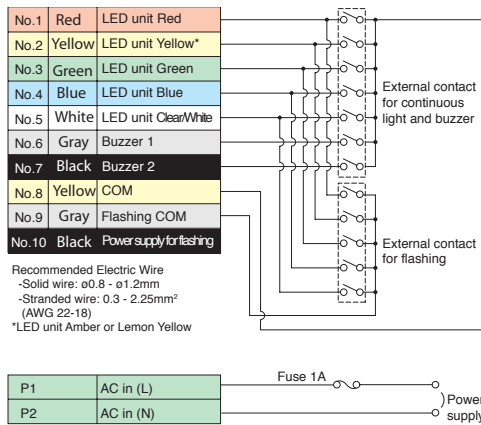
*Must use LT9Z-7L pole mount with LT9Z-SZ020 wall mount bracket.

Wiring Examples

LT7B-D24FB

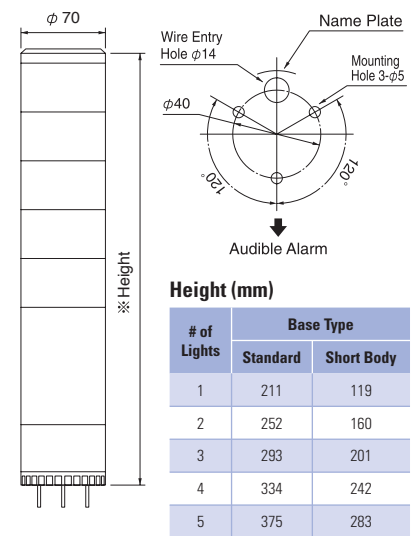


LT7B-A250FB



LT7 Dimensions

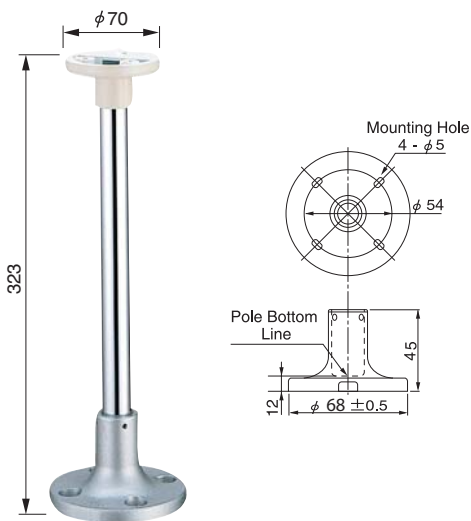
LT7 Base Unit



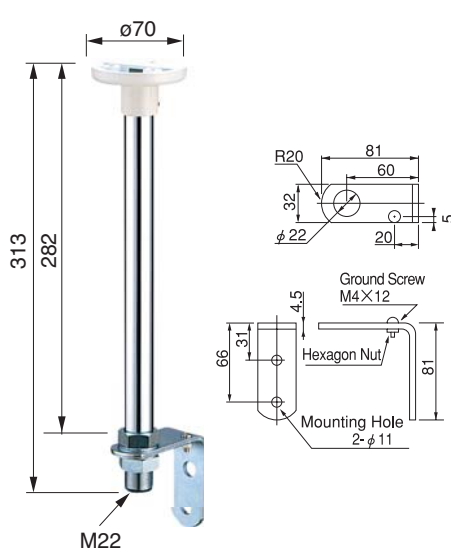
LT7 Dimensions con't

LT7 Mounting Brackets

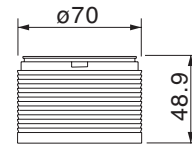
LT9Z-7T



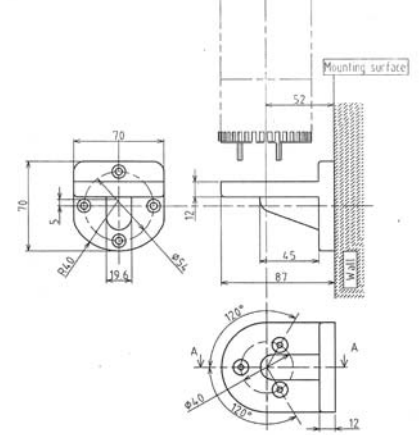
LT9Z-7L



LT7 LED Unit

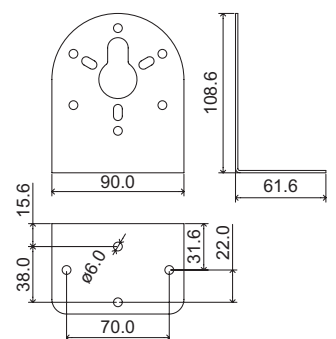
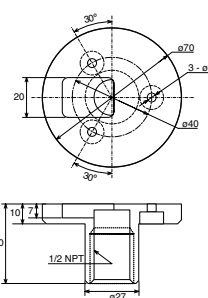


LT9Z-SZ018



LT9Z-SZ50NPT

LT9Z-SZ007



LT9Z-SZ020

