

WindLGC

IDEC SmartRelay Programming Software



Exclusive programming software for the IDEC SmartRelay

Part Number

Part Number	Description
FL9Y-LP1CDW	WindLGC SmartRelay programming software

Simplicity

WindLGC makes things extremely convenient and easy for users. Create, simulate and test your control programs in just a matter of seconds using drag and drop functions.

Professional Documentation

Professional printout with all necessary configuration information such as IP address, project name, installation name, customer name and company logo. You can also save and store your programs as PDF or JPG files.

Function Block or Ladder Programming

WindLGC provides two convenient ways of programming; Function Block Diagram or Ladder. The click and drag features in WindLGC make it so easy to create your control programs in either language.

Free and Convenient Upgrades

Not only are the upgrades free, but we make it so convenient that you can't refuse. Just click on the Update Center under the Help menu and the upgrade process starts automatically.

PLCs

Operator Interfaces

Automation Software

Power Supplies

Sensors

Communication & Networking

As Easy As

1. Create

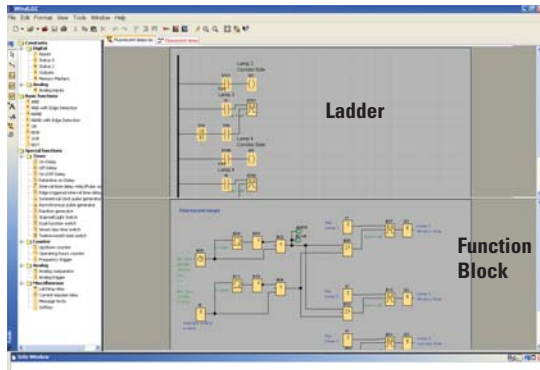
2. Simulate

3. Test

4. Document

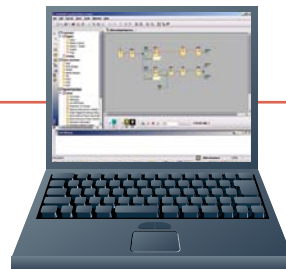
1. Create

With WindLGC software, users can quickly create their control programs using Function Block or Ladder programming. Conversion from Function Block to Ladder or vice versa is just a click of a button.



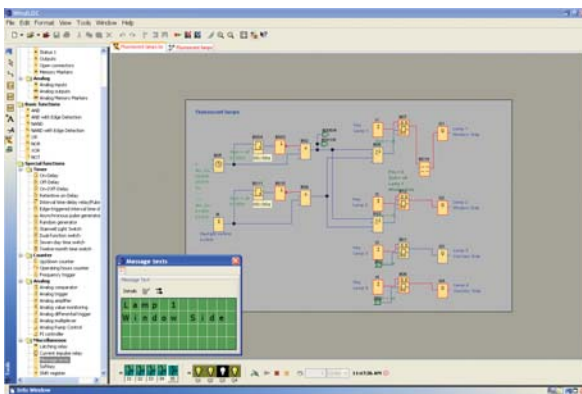
3. Test

Once Users verify that their control program works in Simulation mode, WindLGC also allows users to directly monitor the status of the SmartRelay using Online Test mode.



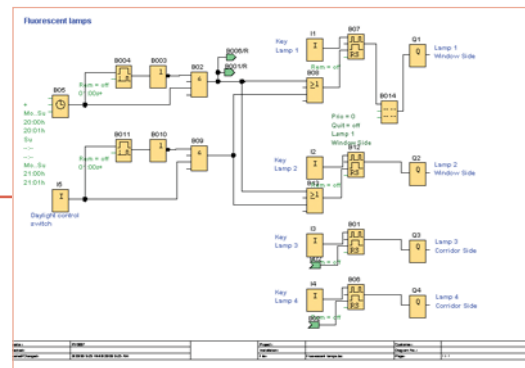
2. Simulate

The offline Simulation feature in WindLGC allows users to create and test their control programs without the need for an actual SmartRelay.



4. Document

With WindLGC software, users can create unique and professional documentation. You can archive and print your programs in PDF, JPG or BMP format.



PLCs

Operator Interfaces

Automation Software

Power Supplies

Sensors

Communication & Networking