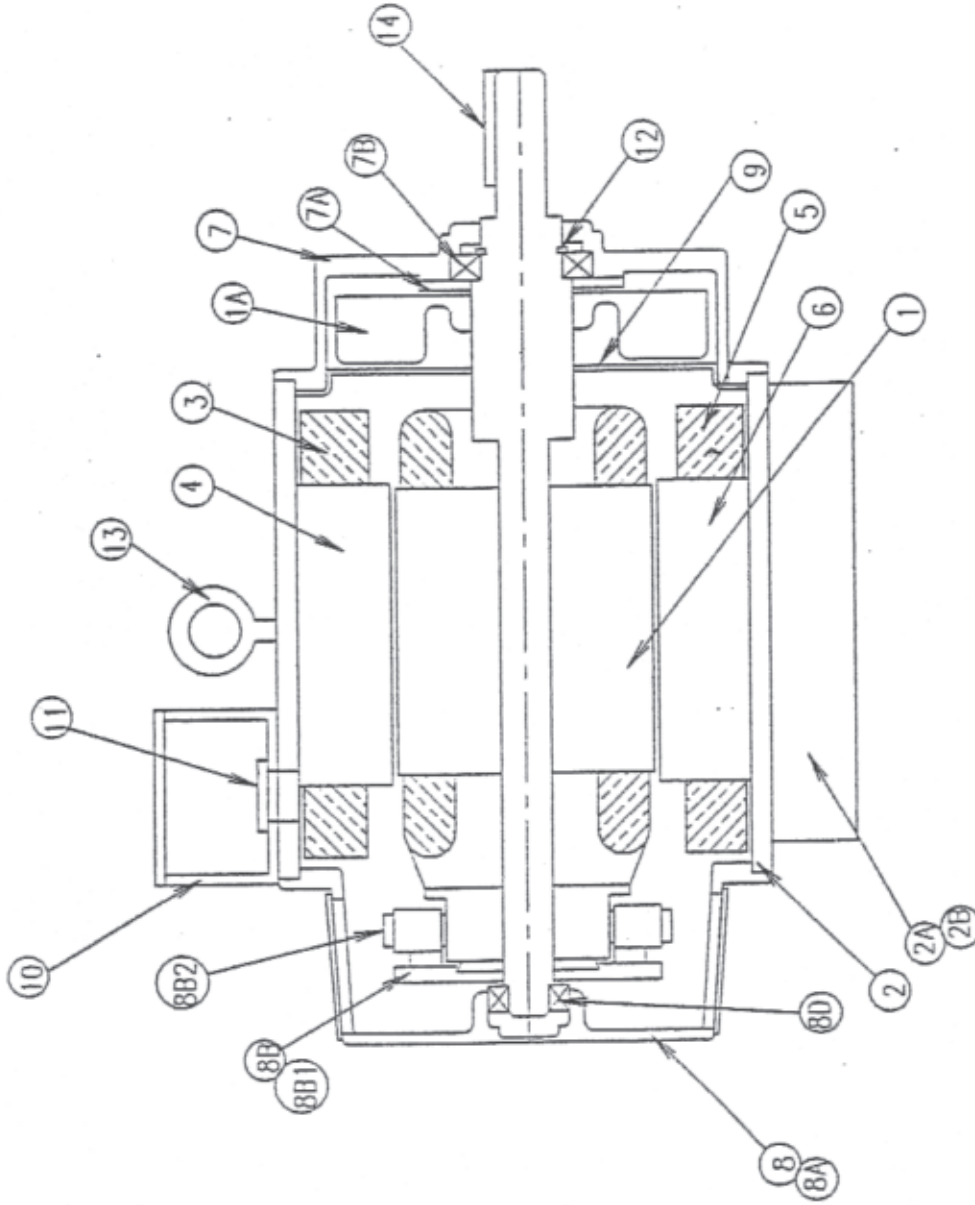


# SPARE PARTS LIST



ITEM	QTY	PART NO.	DESCRIPTION
1	1	655002	CAPL ARMATURE ASSEMBLY
1A	1	B-230505-01	FAN - DRILLED
2	1	C-460101-03	STATOR RING & BASE ASSEMBLY
2A	2	A-100239-01	BASE SECTION
2B	1/1	A-690101/102	BASE SUPPORT
3	2	B-441201-03	COMM COILS
4	2	B-452001-03	COMM POLES
5	4	B-441001-03	MAIN COILS
6	4	B-451001-03	MAIN POLES
7	1	C-210522	PULLEY COVER - DRILLED
7A	1	B-230506-01	BEARING CAP - DRILLED
7B	1	A-900205-27	BEARING - PULLEY END
7C	2	A-100243-02	PULLEY COVER SCREEN
8	1	C-200015-02	CAPL COMM COVER ASSEMBLY
8A	1	C-220515	COMM COVER - DRILLED
8B	1	910C139A1	CAPL BRUSH RING ASSEMBLY
8C	1	910B139A2	BRUSH RING ASSEMBLY
8D	4	900B57A01	BRUSHES
8E	4	910A139A14	BRUSH SPRINGS
8F	1	A-100242-03	COMM COVER SCREEN
8G	1	A-900205-13	BEARING - COMM END
8H	2	910A121A1	BRUSH INSPECTION COVER GASKET
9	2	A-100250	BRUSH INSPECTION COVER
10	2	310C025A1	FAN BAFFLE
11	1	B-100235	TERMINAL BOX
12	1	A-900200-04	CHASE NIPPLE
13	1	A-900220-01	BEARING RETAINING RING
14	1	A-900180-01	EYEBOLT
		A-100022-11	KEY

OPT-10-25-WI320