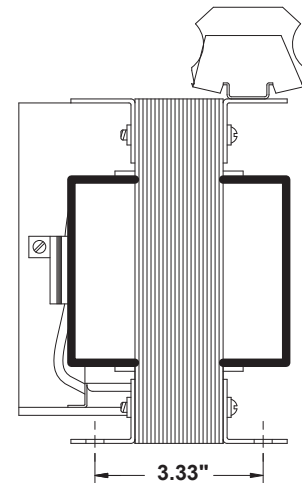
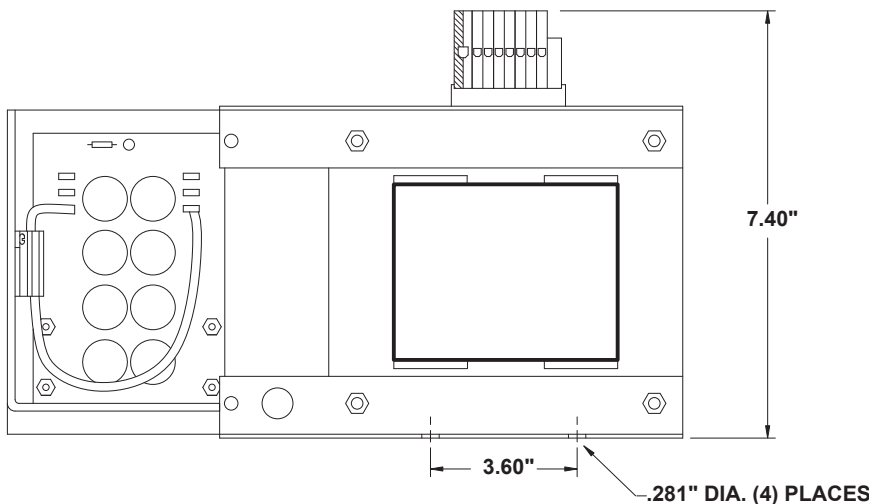
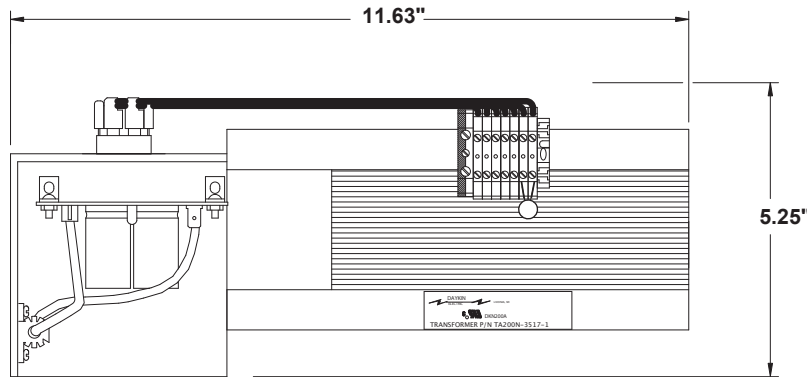
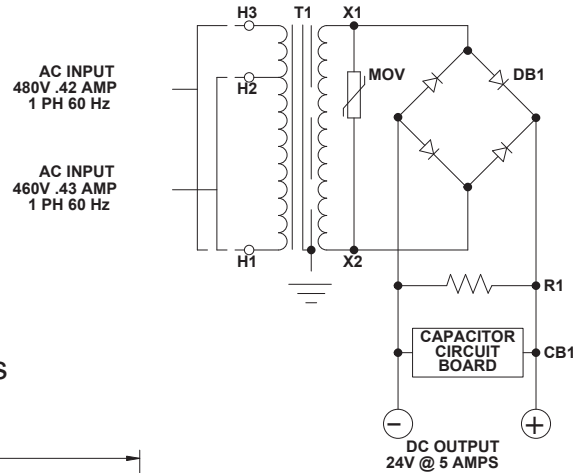


Features

- Copper wound low temperature rise transformer
- Electrostatically shielded transformer
- High quality bridge rectifier
- Full load output ripple less than 1% RMS
- Contact the factory for certified power supplies



Power Supply		Model	Approx. Weight (LBS)	List Price
Output	Input			
5 Amp 24 VDC	460-480 V 1 PH 60 Hz 200 VA	PS486245-2	17	\$387.00