

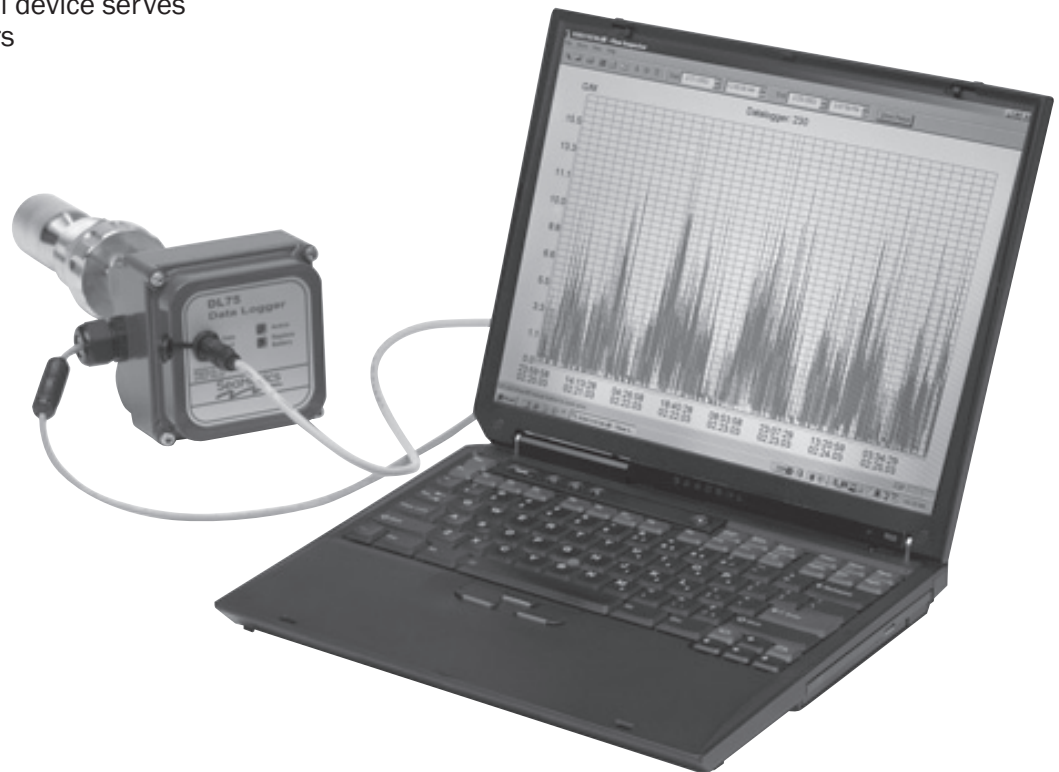


### FEATURES

- Easy to set-up, easy to use
- Weeks or months of data storage
- User-selected sampling interval
- Data retrieval with laptop computer
- Single data retrieval device serves multiple data loggers

### APPLICATIONS

- Water usage monitoring, reporting, and management
- Custody transfer regulation
- Peak demand monitoring



### GENERAL INFORMATION

The DL75 is a battery-powered data logger that can be used with any SeaMetrics flowmeter. It stores pulses for weeks or months, depending on the user-selected frequency of reading. Indicator lights on the unit flash to indicate when it is functioning and when the battery is low.

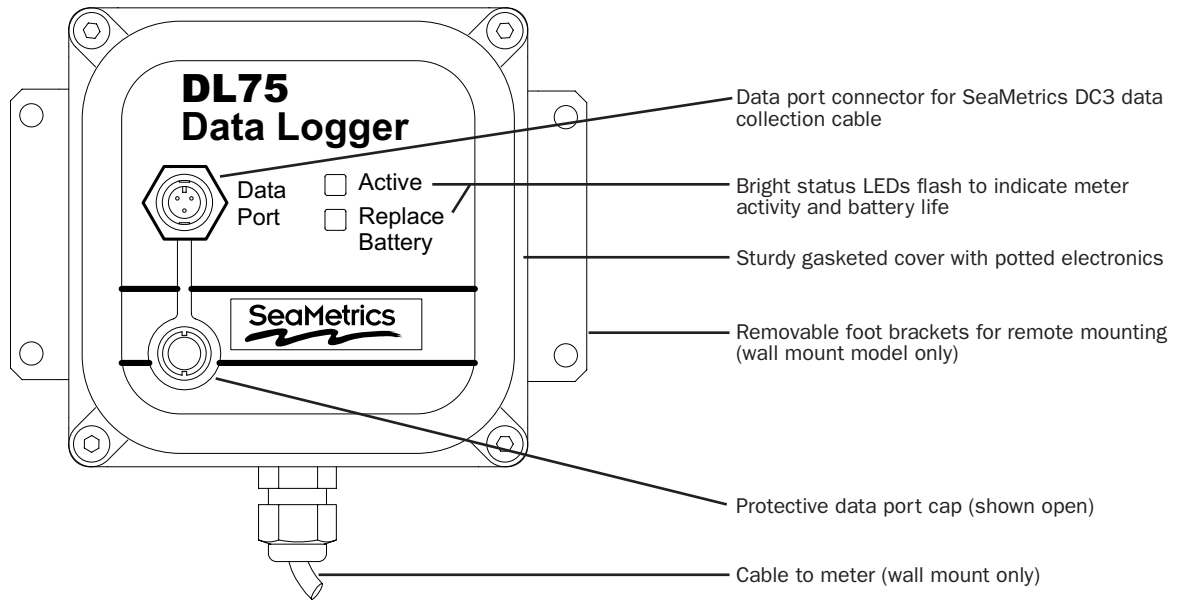
The DL75 can be factory-mounted on the meter or remotely mounted. Housings are rugged cast aluminum, gasketed for environmental protection.

When a DL75 logger is placed into operation, it is easily set up using a laptop computer.

Data is also retrieved from the DL75 by means of a laptop. One laptop can be used to retrieve data from multiple loggers. Data can be analyzed on the laptop or easily loaded on a desktop computer for analysis.

FlowInspector software allows the downloading, storing, viewing, graphing, charting and printing of data in several formats. FlowInspector requires a PC with Windows 98, NT, 2000, or XP; CD-Rom drive; 800 x 600 screen resolution; serial port or USB/serial adapter; and a SeaMetrics DC3 data cable.

### FEATURES

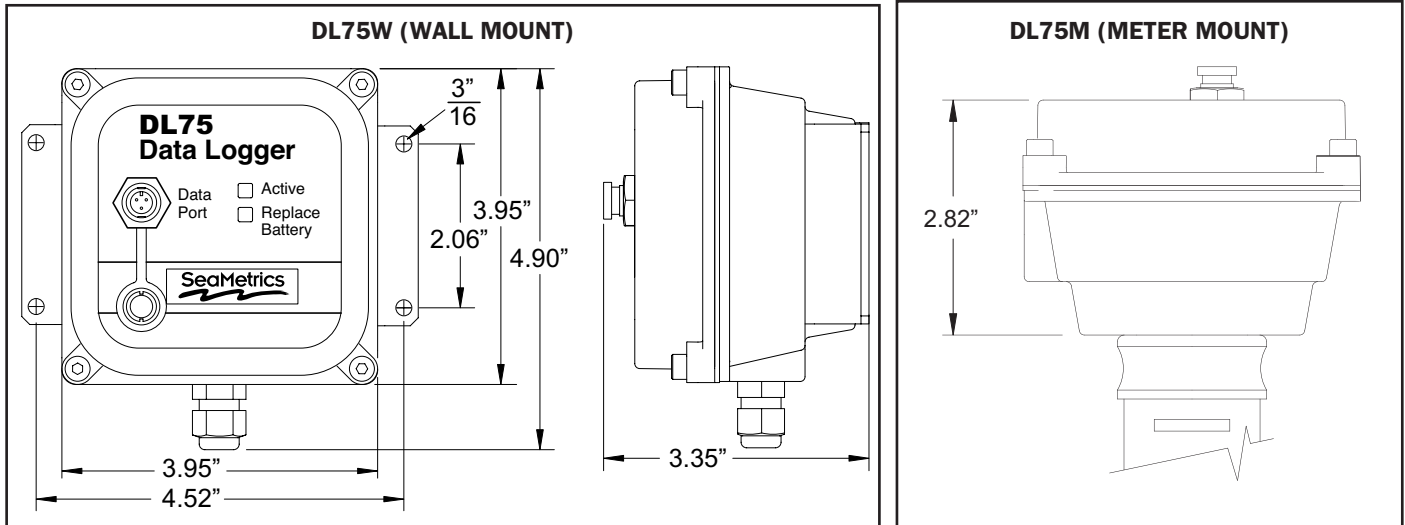


### SPECIFICATIONS

#### DL75 DATA LOGGER

<b>Power</b>	3.6 Vdc lithium battery (included)		
<b>Battery Life</b>	~3 years (varies with sampling interval)		
<b>Volume Units</b>	mL, liter, gallon, Imperial gallon, cubic foot, cubic meter, million gallon, acre-foot		
<b>Time Units</b>	Seconds, minutes, hours, days		
<b>Data Storage Capacity</b>	<b>Capacity</b>	<b>at</b>	<b>Sampling Interval</b>
	11 days	at	15 seconds
	22 days	at	30 seconds
	45 days	at	60 seconds
	90 days	at	120 seconds
	180 days	at	240 seconds
<b>Indicators</b>	Low battery; Power/flow		
<b>Memory Wraparound</b>	Selectable options (Stop or Overwrite)		
<b>Clock Accuracy</b>	10 minutes/month (.02%)		

### DIMENSIONS

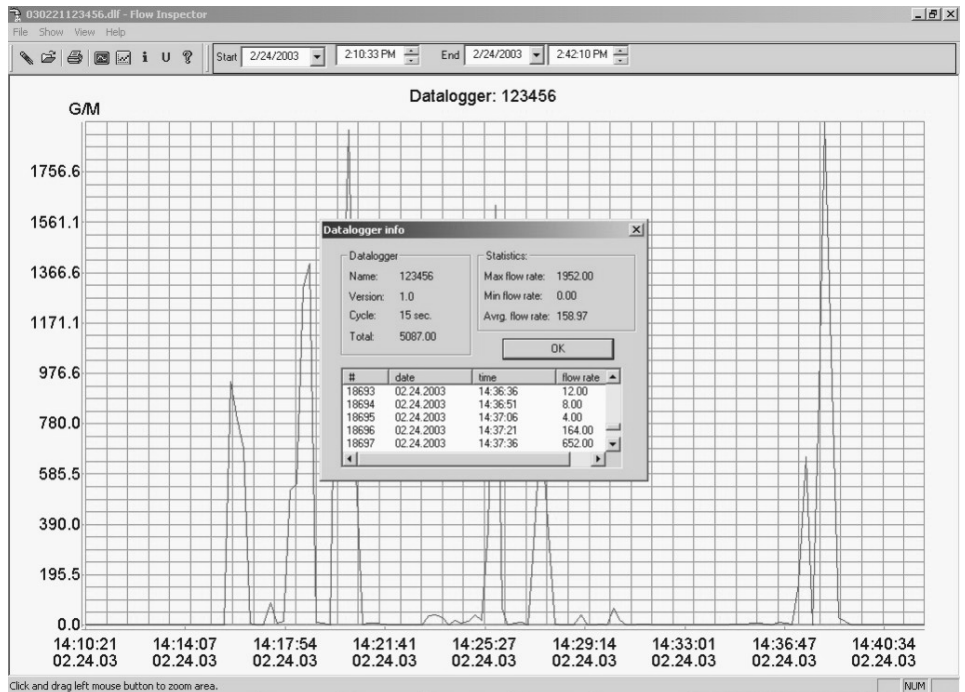


### FlowInspector™ SOFTWARE

FlowInspector software (ordered separately) is required for setup and operation of the DL75 including data retrieval (with a laptop computer), storage, and analysis.

#### FlowInspector Capabilities:

- Manage multiple loggers
- Data checking in the field (via laptop) as well as transfer to desktop computer
- Download files stored on the laptop
- Display flow information as a graph
- Display average and maximum/minimum flow rate for any selected time period
- Zoom in to graph any time period
- Show daily flow totals in table format
- Print graphs and tables
- Export data to an Excel spreadsheet (.xls) or simple text (.txt) file



### HOW TO ORDER

<b>MODEL</b> Data Logger = <b>DL75</b>  <b>DL75</b>	<b>MOUNTING</b> Mechanical meter mount = <b>M</b> Insertion magmeter mount = <b>ME</b> Wall mount = <b>W</b>	<b>SOFTWARE</b> For 1 to 4 DL75's = <b>FlowInspector-4</b> For 5 to 16 DL75's = <b>FlowInspector-16</b> For 17+ DL75's = <b>Contact Factory</b>
<b>ACCESSORIES</b> Data Logger Cable for Laptop = <b>DC3</b>	<b>NOTE:</b> If used with a laptop configured with a USB port a serial to USB converter cable from IOGEAR is required. Cable number is GUC232A and can be ordered at <a href="http://www.iogear.com">www.iogear.com</a> .	

### CONTACT YOUR SUPPLIER