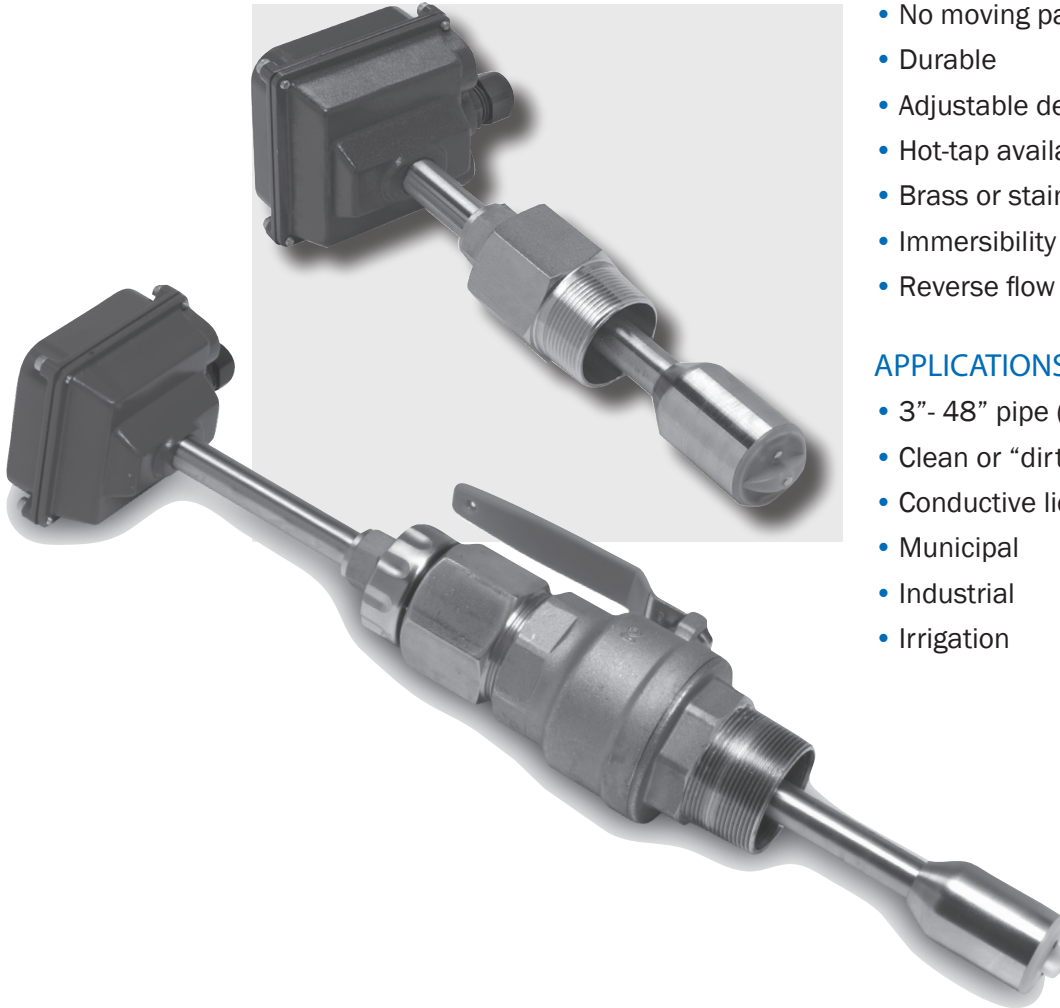




EX100/200-SERIES Insertion Magnetic Flow Meter



FEATURES

- No moving parts
- Durable
- Adjustable depth
- Hot-tap available
- Brass or stainless steel
- Immersibility available
- Reverse flow output available

APPLICATIONS

- 3"- 48" pipe (up to 72" optional)
- Clean or "dirty" liquids
- Conductive liquids
- Municipal
- Industrial
- Irrigation

GENERAL INFORMATION

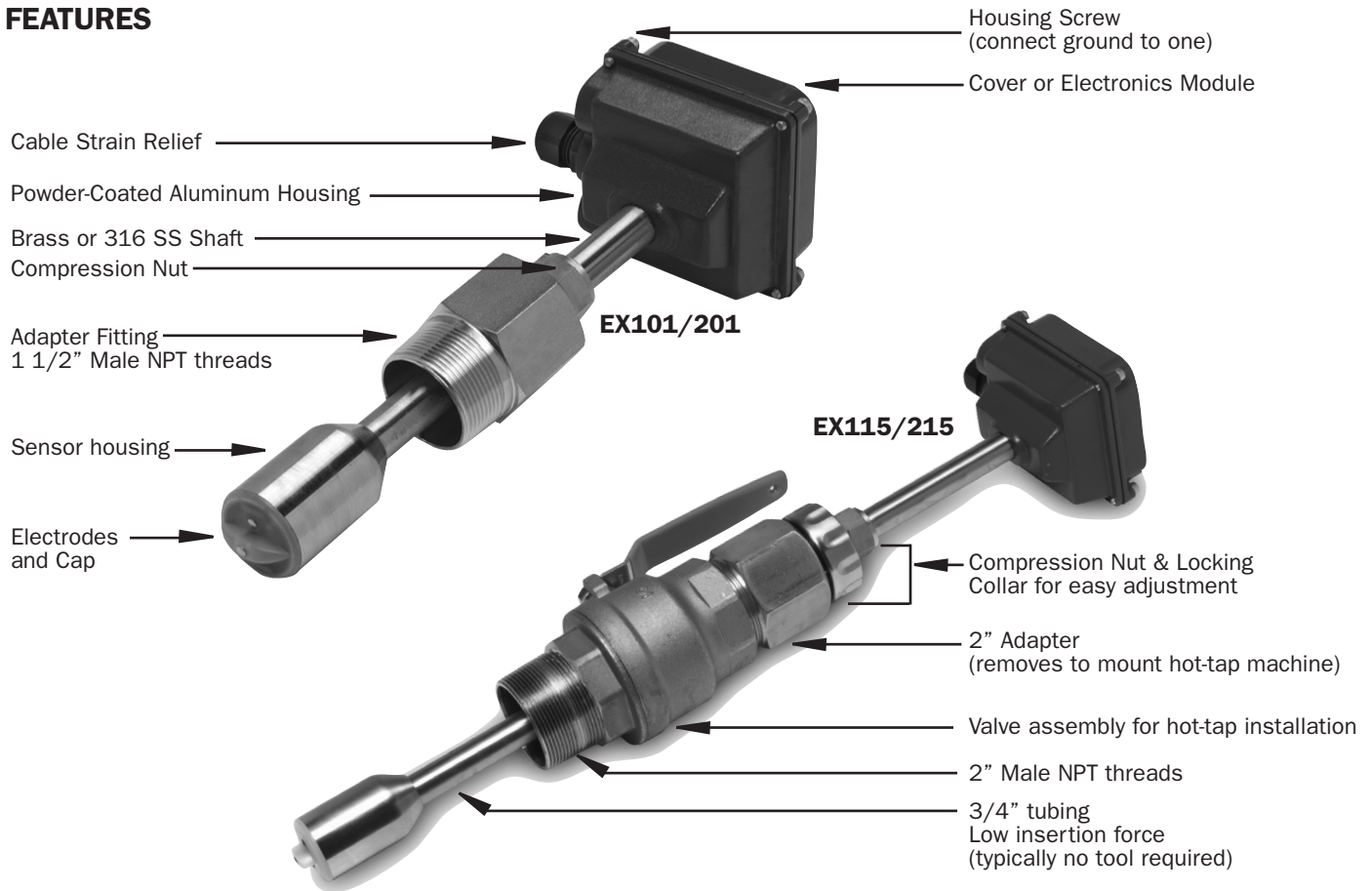
The complete lack of moving parts of this insertion flow sensor is the source of its reliability. There is no rotor to stop turning in dirty water and there are no bearings to wear out. Brass and stainless steel models withstand a variety of temperature, pressure, and chemical conditions. Reverse flow output and immersibility are optional.

A rapidly reversing magnetic field is produced in the lower housing. As the fluid moves through this field, a voltage is generated that is measured and translated into a frequency signal proportional to flow rate. This square wave signal can be sent directly to a PLC or other control or can be converted using any of the SeaMetrics family of indicators and converters.

A modular system of electronics can be attached directly to the flow sensor or remotely mounted. The SeaMetrics FT420 provides full indication of rate and total, plus 4-20 mA output. The A055 provides blind 4-20 mA output. The FT520 is a batching flow processor, and the DL75 is a battery-powered data logger.

The adapter fitting of the EX sensor is standard male NPT, and can be directly threaded into ordinary saddles or threaded weld fittings. The EX115 and 215 include an isolation valve, allowing hot-tap installation, or installation and removal under pressure. A bronze ball valve is standard, with a 316 stainless steel valve option if needed.

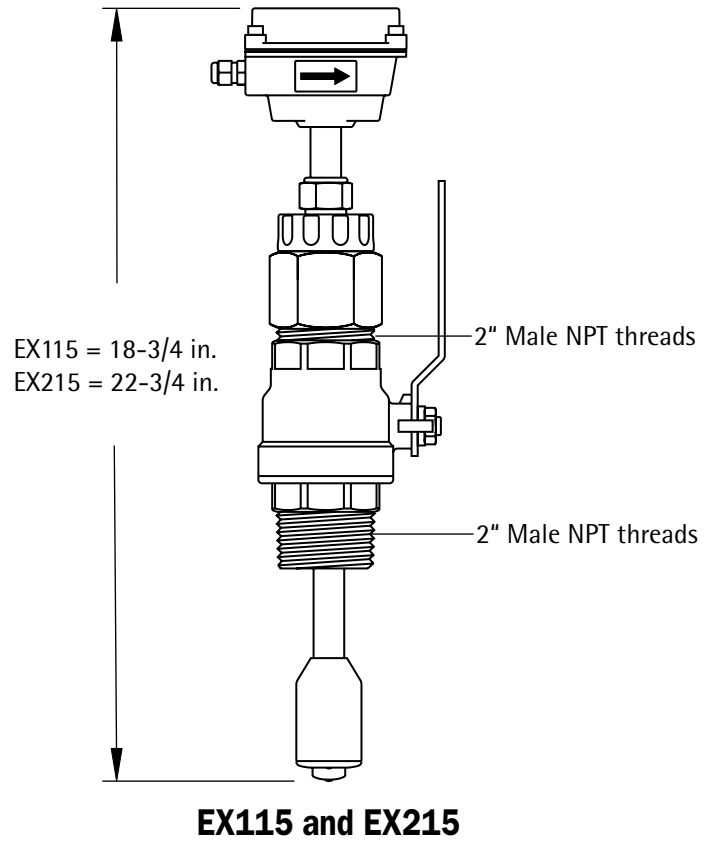
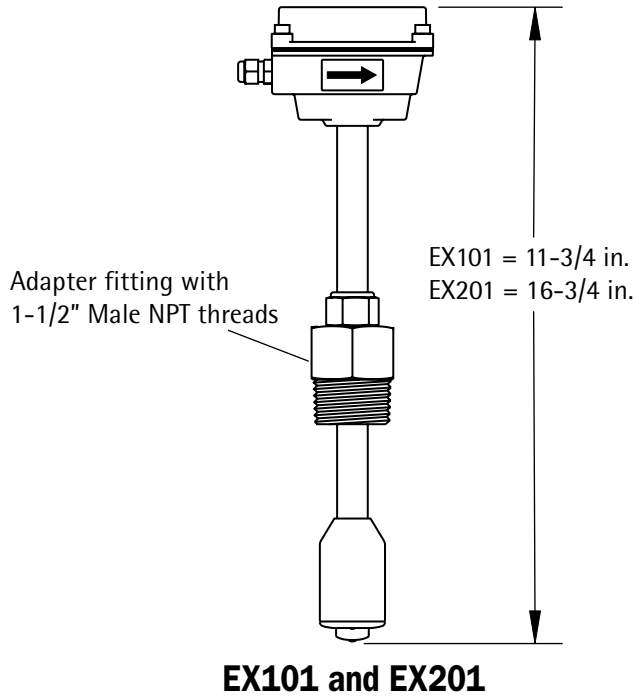
FEATURES



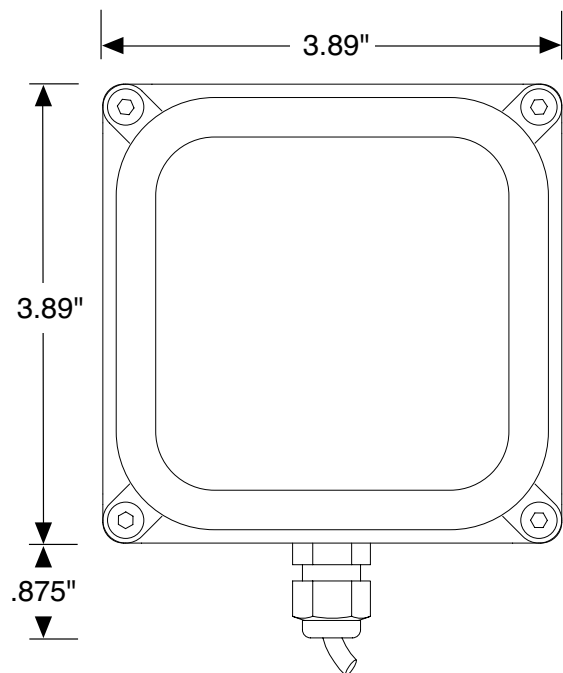
SPECIFICATIONS

Power	Full Power	12-24 Vdc, 250 mA	
	Low Power	12-24 Vdc, 40 mA	
Flow Range	0.28 - 20 ft/sec (0.08 - 6.09 m/sec)		
Fitting Size	EX101/201		EX115/215
	1-1/2" Male NPT		2" Male NPT
Temperature	Ambient	0° - 180° F (-17° - 82° C)	
	Fluid	32° - 200° F (0° - 93° C)	
Pressure	200 psi (13.8 bar)		
Minimum Conductivity	20 microSiemens/cm		
Materials	Shaft/Fitting	316 SS or Brass	
	Electrodes	Hastelloy	
	Electrode Cap	PVDF	
	Housing	Cast powder-coated aluminum	
	Valve Assembly (115/215 Only)	Bronze (stainless optional) with bronze ball valve	
	O-Ring (115/215 Only)	EPDM	
Calibration Accuracy	+/- 1% of full scale		
Output	Square wave pulse, opto isolated, 550 Hz @ 20 ft/sec 6 mA max, 30 Vdc forward flow standard; reverse flow optional		
Empty Pipe Detection	Software, defaults to zero flow		

DIMENSIONS



Flow Range (GPM)		
Pipe Size	Min. Flow	Max. Flow
3	5	440
4	8	783
6	18	1,762
8	31	3,133
10	49	4,895
12	70	7,050
14	96	9,596
16	125	12,533
18	159	15,863
20	196	19,584
24	282	28,200
30	440	44,064
36	635	63,452





EX100/200-SERIES Insertion Magnetic Flow Meter

HOW TO ORDER

MODEL	MATERIAL	OPTIONS
3" - 10" pipe size = EX101 10" - 48" pipe size = EX201 3" - 10" hot tap = EX115 10" - 48" hot tap = EX215	Brass = B 316 stainless steel = S	Adapter fitting, 2" threads (101/201 only) = -02 Stainless valve assembly (115/215 only) = -08 No valve assembly (115/215 only) = -09 Reversible flow output = -15 Immersible (consult factory for specifications) = -40 Low power option = -50 12" extension (201 & 215 only) = -72
ACCESSORIES Rate & Total Indicator w/4-20 mA output = FT420 Blind 4-20 mA Transmitter = AO55 Pulse Divider = PD10 Batch Flow Processor = FT520		Data Logger = DL75 Saddle Fittings = Consult Factory Dual Power Supply, 110-115 Vac, 24 Vdc = PC42

CONTACT YOUR SUPPLIER