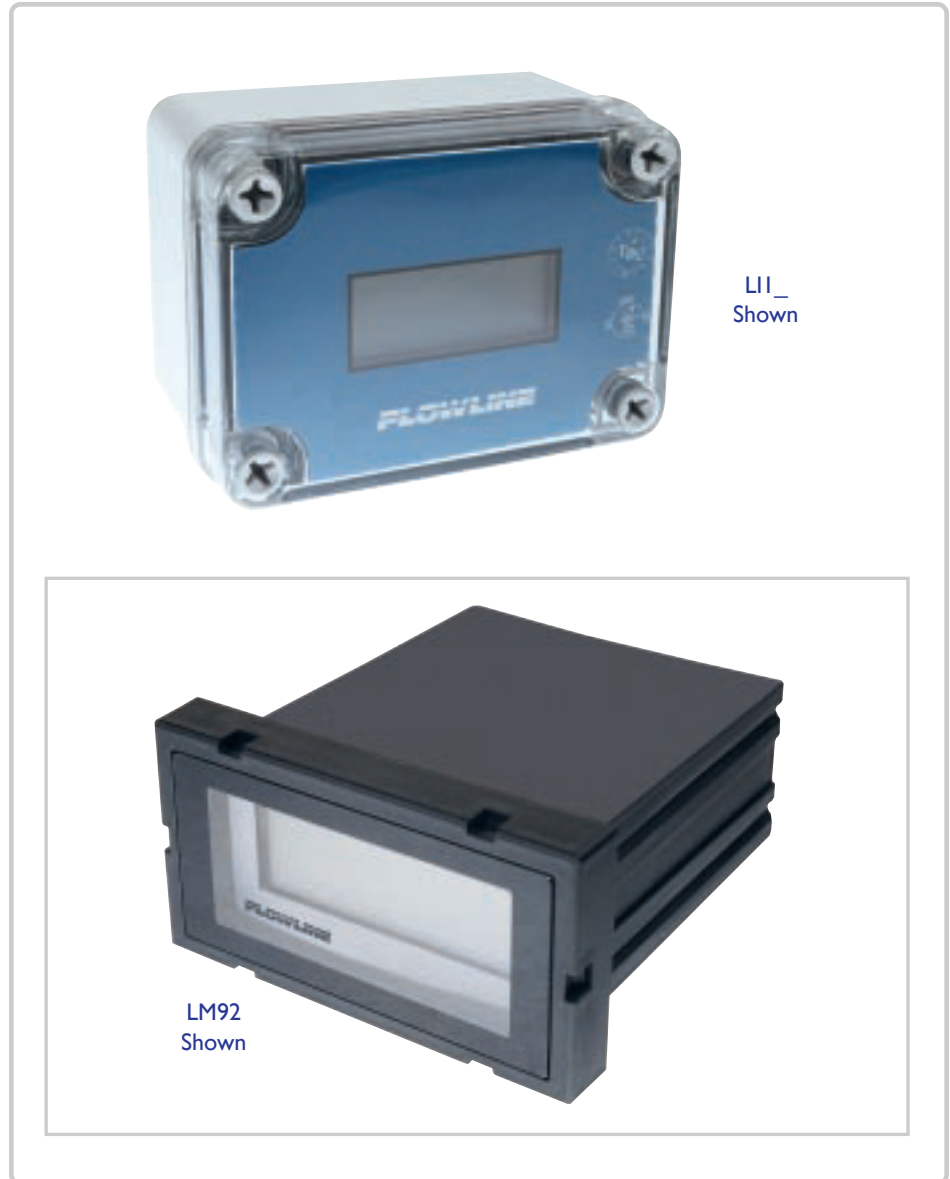


Specifications

Display type:	LCD, 3.5-digit
Display units:	Engineering
Display range:	4 mA: ± 500 20 mA: 20-1999
Display height:	.56" digits
Calibration:	Potentiometer
Sensor input:	(1) two-wire, 4-20 mA transmitter
Loop power:	12-24 VDC @ 30 mA
Voltage drop:	LI20: 1 VDC @ 20 mA LI21: 1.5 VDC @ 20 mA LI22: 3.5 VDC @ 20 mA
Electronics temp:	F: -40° to 149° C: -40° to 65°
Enclosure type:	1/8 DIN panel meter
Enclosure rating:	LI20: NEMA 4X (faceplate) LI21/2: NEMA 4X
Encl. material:	Polycarbonate
Classification:	General purpose

Features

- ✓ 3.5 digit LCD display indicates level in custom engineering units
- ✓ Simple potentiometer calibration for span and display set points
- ✓ 1/8 DIN panel or compact field



Description

Offered in both panel mount and field mount enclosure types, the general purpose loop powered meter provides basic single tank level indication. Package the meter with any of our level transmitters and a 24 VDC loop power supply. Select the field mount configuration for outdoor installation at or near your tank application. The rugged NEMA 4X enclosure is typically wall mounted and comes complete with conduit knock outs. The optional backlit display is ideal for night viewing. It's level made simple!



DataPoint

Ordering

LI2 -1001

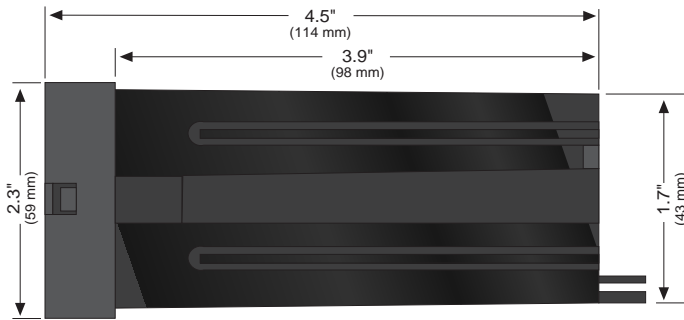
- Configuration (1) (2)
- 0 Panel meter
 - 1 Field meter
 - 2 Field meter with backlit display

Ordering Notes

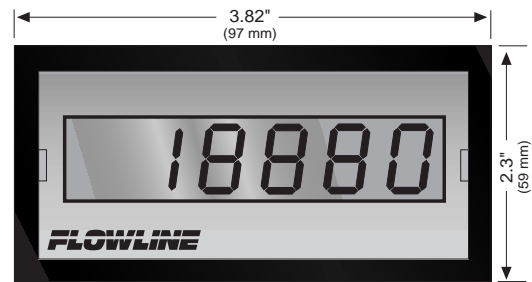
- 1) For external loop power, order the LC95-1001 (120 VAC) or LC96-1001 (240 VAC) power supply (24 VDC @ 0.6A).
- 2) For panel mount installation in a NEMA 4X polycarbonate windowed enclosure, order the LM92-1001 (single meter box) or the LM93-1001 (two meter box).

DataLoop™ Loop Powered Panel Meter

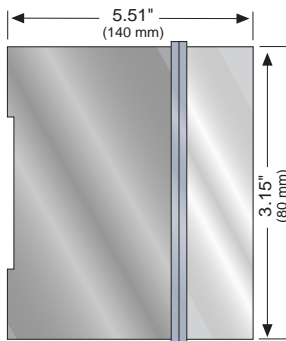
Side View



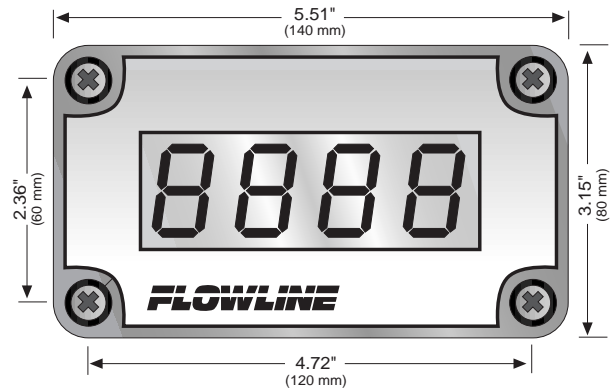
Front View



Side View

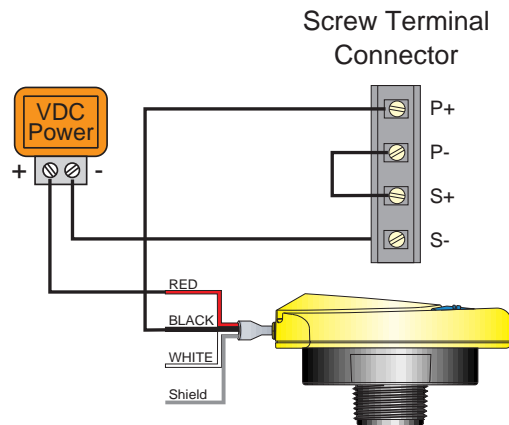


Front View

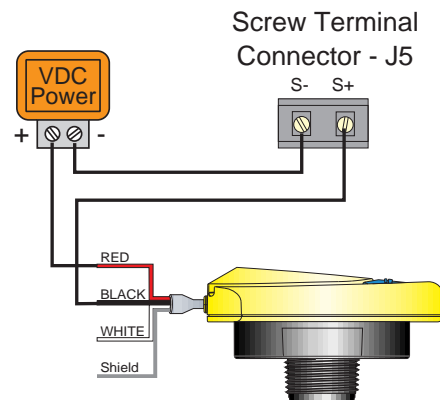


Specifications are subject to change without notice.

LI20 to 2-Wire Transmitter



LI21/22 to 2-Wire Transmitter



Warning: The use of an appropriate motor starter or secondary relay is recommended with pumps, valves or alarms to prevent damage to the relay contacts. The use of suppressors (snubbers) is strictly recommended when switching inductive loads.