

Specifications

Range:	8" to 26.2' (20 cm to 8m)
Accuracy:	± 0.2% of span in air
Resolution:	0.039" (1 mm)
Beam width:	3" (7.6 cm) dia.
Dead band:	8" (20 cm)
Memory:	Non-volatile
Supply voltage:	12-28 VDC
Loop resist.:	500 Ohms @ 24 VDC
Signal output:	4-20 mA, two-wire
Fail-safety:	Reverts to 22 mA
Process temp.:	F: -4° to 140° C: -20° to 60°
Temp. comp.:	Automatic
Electronics temp.:	F: -40° to 160° C: -40° to 71°
Pressure:	30 psi (2 bar) @ 25° C., derated @ 1.667 psi (.113 bar) per °C. above 25° C.
Enclosure rating:	51_1: NEMA 4X (IP65) 5201: NEMA 6 (IP68)
Encl. material:	PC/ABS FR
Trans. insertion:	7" to 10' (18 cm to 3m)
Trans. alignment:	Self-aligning, perpendicular to liquid surface
Trans. material:	PVDF
Trans. cable mat.:	FEP
Strain relief mat.:	Viton®
Conduit entrance:	Dual, 1/2" NPT
Process mount:	51_1: 2" NPT (2" G) 5201: 1/2" NPT
Mount. gasket:	Viton®
Classification:	General purpose
CE compliance:	EN 61326 EMC (pending)



Description

The general purpose two-wire ultrasonic transmitter provides non-contact level measurement up to 26' or 8m, and is broadly suited for challenging corrosive or waste liquids. The transmitter is typically selected for atmospheric bulk storage or day tank applications with tall installation fittings or enclosed concrete wall waste sumps. Media examples include hydrochloric acid and wastewater.

Features

- ✓ Rugged PVDF transducer for insertion through tall riser fittings, concrete walls or pipes with ID > 2" schedule 40
- ✓ Self leveling transducer for use with non-perpendicular fittings.
- ✓ Fixed 20 cm to 8m measurement span does not require field calibration
- ✓ 7.6 cm minimum beam width for applications with restricted space
- ✓ Fail-safe intelligence with diagnostic feedback for easy troubleshooting

EchoDucer

Ordering

LU43-51 1

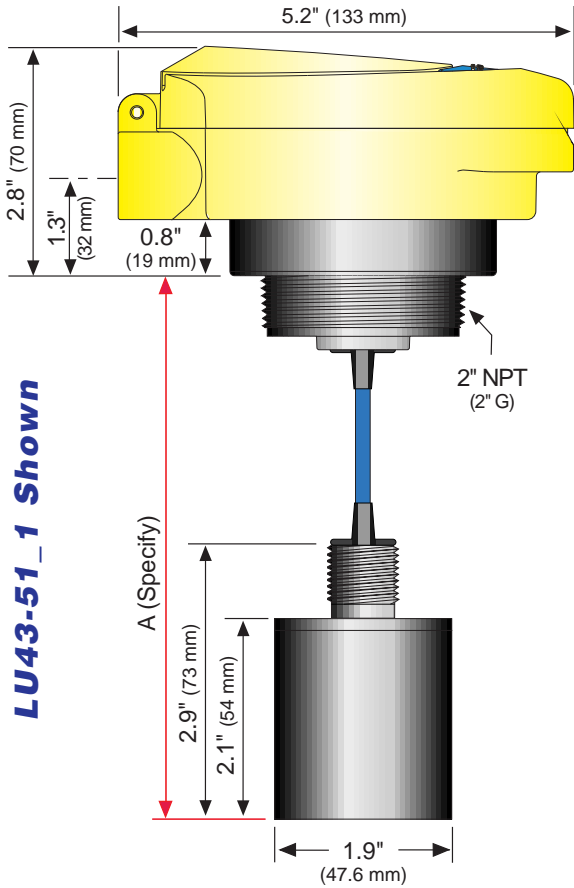
Process mount (1) (2)
0 NPT (US)
6 G (Metric)
Dimensions (3)
A Specify

Ordering Notes

- 1) To order the EchoDucer transmitter with 10' (3m) cable only (without the NEMA enclosure, terminal strip and 2" mounting plug), order the LU43-5201.
- 2) For installation on open tanks, order the LM50-1001 (2" NPT) or LM50-1061 (2" G) side mount bracket.
- 3) Specify the A-dimension at the end of the part number (ie: LU43-5101-8"). The A-dimension may be specified in 1" (2.5 cm) increments from 7" (18 cm) to 10' (3m).

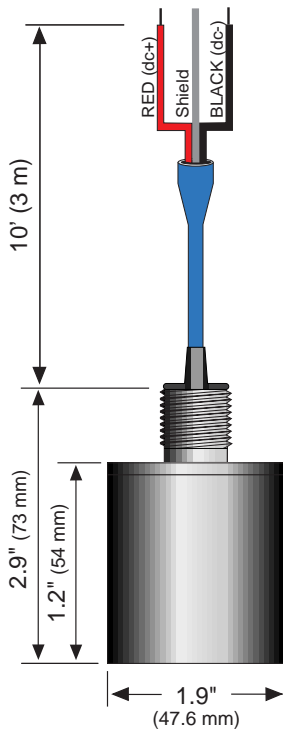
EchoDucer™ Ultrasonic Level Transmitter

Dimensions

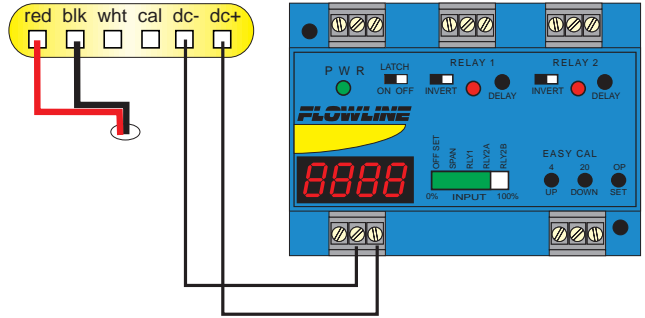


LU43-51_1 Shown

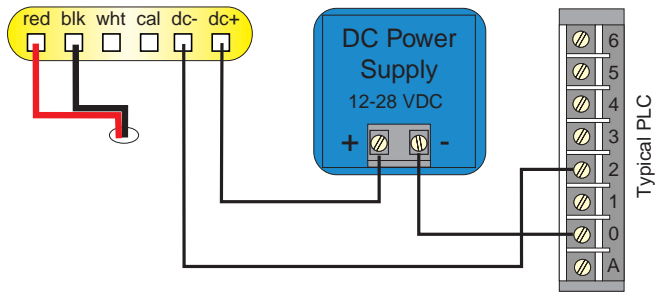
LU43-5201 Shown



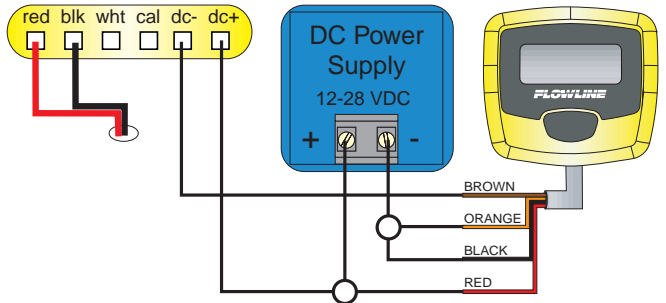
To LC52 Relay Controller



To PLC



To LI42 MicroPoint Display



To LI1_ Universal Panel Meter

