



## Sanitary Pro-Stik II Sensor Data Sheet

### 3A and Food Grade Pro-Stik II Magnetostrictive Sensors with Field Programmable Span

The 7330S and 7330F Pro-Stik II Sanitary Level Sensors combine the reliability and resolution of magnetostrictive continuous absolute position sensing with the patented Stik sensor packaging to create a unique sanitary level measuring instrument.

The magnetostrictive technology is the same as that used in other BW Controls liquid level sensors, which have been proven effective in demanding applications such as underground leak detection and inventory management. The rugged, 316 stainless steel construction is ideal for food processing, pharmaceutical and other sanitary environments.

The 316 stainless steel sanitary probe design eliminates unnecessary cracks and crevices and is available in a 3A CIP. Other 7330 styles are available; PVDF or stainless steel food grade style. Both styles provide a removable float

The construction of the sensor has all of the electronics integrated into the 5/8" diameter sensing tube. This breakthrough in package design eliminates the bulky electronics enclosure at the top of the sensor making it easier to clean.

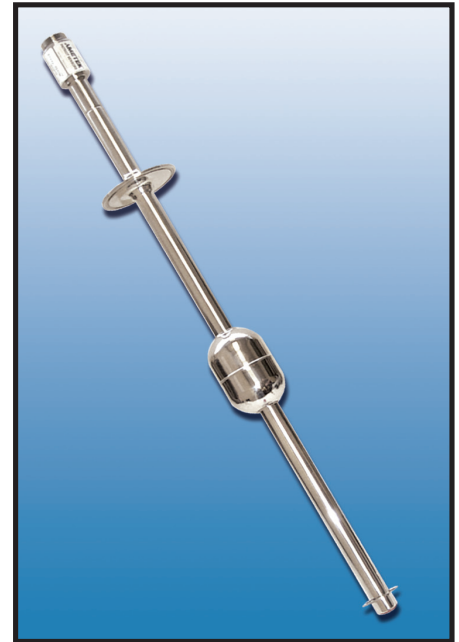
Continuous position data is provided with a resolution of 0.014". No calibration of the sensor is required for its use since the position data is absolute and referenced to the bottom of the probe.

The 316 stainless steel sensor utilizes a welded, ground and polished construction which can easily be installed with a standard Tri-clamp fitting.

The 7330S and F sanitary level sensors use a "timing sequence" to unlock the probe for programming the span. This security feature prevents accidental re-programming by someone in the field.

In addition, there are diagnostic outputs that provide continuous information on the position of the float. The output is 3.9mA when the float is below and 20.1mA when above the set span. If the signal is lost, the output is 3.8mA.

Both the 7330S and the 7330F are available with 2", 2 1/2", 3" or 4" Tri-clamp fittings. They can also be ordered without a Tri-clamp for certain food and beverage applications.



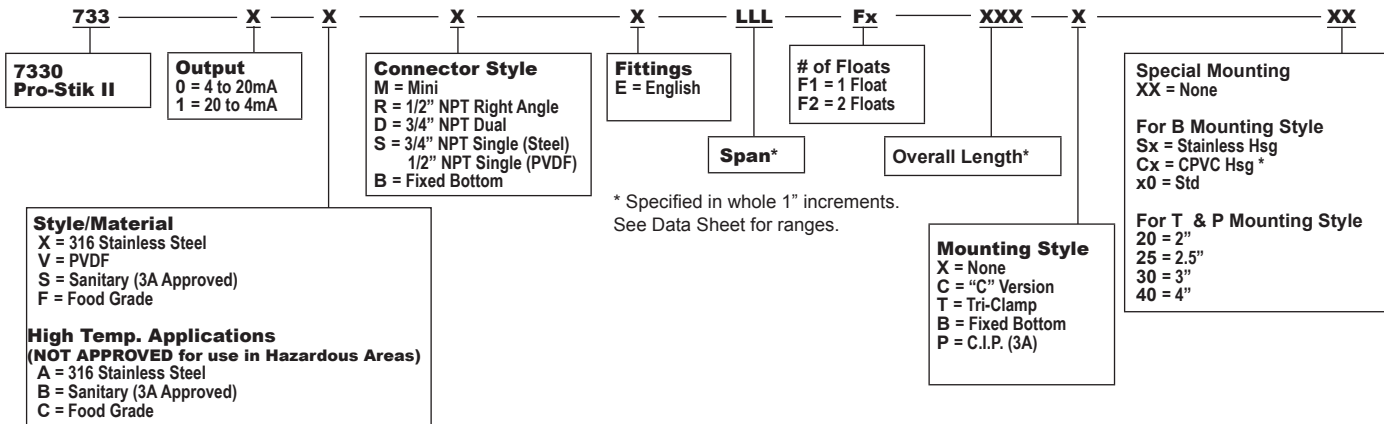
Specifications			
Operating Voltage	13.5 to 30 VDC	Intrinsically Safe Barrier	See Installation Drawing E0240200 on page 9
Output		Enclosure Material Rating	Probe: 316 SS or PVDF IP68
Operating Output	4 to 20mA		
Diagnostic Output	3.9mA and 20.1mA, float outside of span 3.8mA, no signal received (Note: Diagnostic Tolerance +/- 0.02mA)		
Operating Temperature		Probe Length	19" to 288"
Hazardous Locations	-40°C to 70° C	Stainless Steel R	18" to 288" * Consult Factory
Non Hazardous Location	-----	Stainless Steel D, S, M	20" to 192"
Sensing Area	-40°C to 100° C	PVDF Style C	25" to 840"
Electronic Area	-40°C to 70° C	PVDF Style X	
Pressure Rating	316SS Probe: 1000 psi max. PVDF Probe: 150 psi max. Floats: Dependent. Call Factory.	Hazardous Areas Approvals	ATEX
Resolution	0.025% of span or 0.014", (Whichever is Greater)	cFMus	Ex ia IIB T4
Repeatability	0.014" + 0.05% of span typical, 0.014" + 0.4% of span maximum	-40° ≤ Tamb ≤ 70° C	FM FM13ATEX0028X
Accuracy	0.1% of span or 0.050" (Whichever is Greater)	Class I, II, III, Div. 1	(See PVDF installation note)
Null Zone	8"	Groups C, D, E, F, G, T4	CE 0344 Ex II 1G
Dead Band	2"	Class I, Div. 2	
		Groups A, B, C, D, T4	
		Class I, Zone 0, AEx ia IIB T4	
		FM APPROVED	

Specifications are subject to change without notice. Patented.

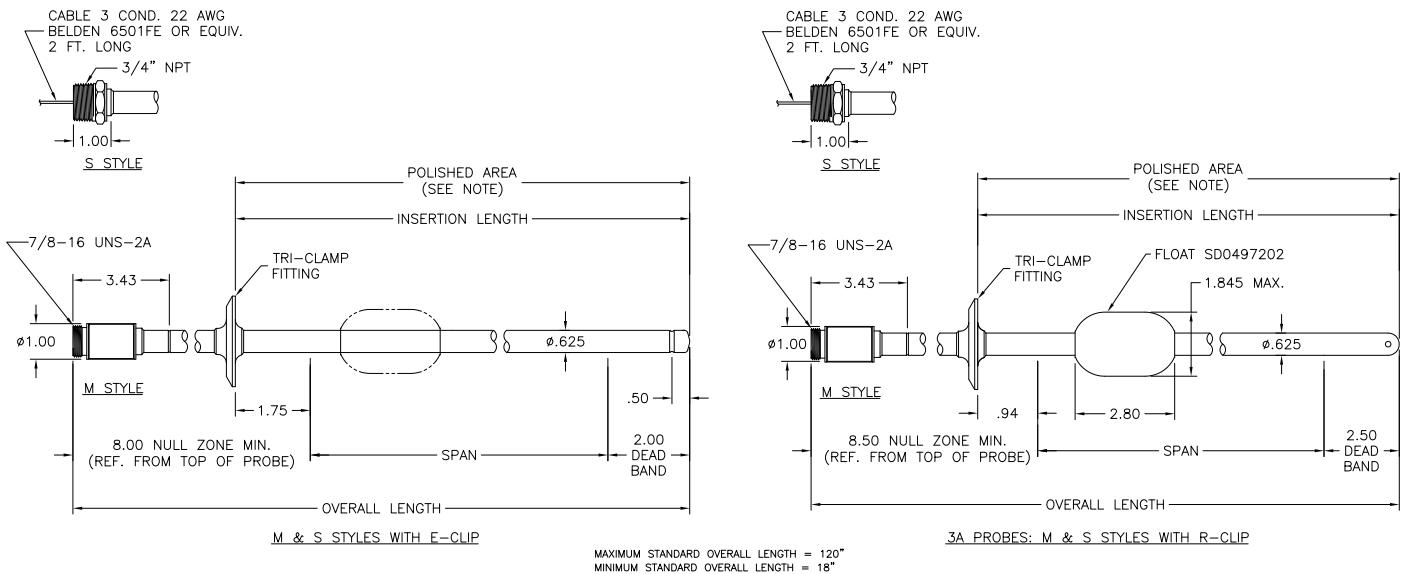


## 7330S and 7330F Pro-Stik II Sanitary Stainless Steel

### Part Numbering



### Dimension Drawing



- NOTES:** ALL POLISHED AREA SURFACES SHALL BE:
- A) FOR FOOD GRADE: 180 GRIT OR BETTER
  - B) FOR SANITARY: 240 GRIT OR BETTER

Accessories	
Item	Part Number
Cable/Connector Ass'y, 6 ft., M Style	01533141
Meter, 4.5 Digital Display, Panel Mount, 2 Output Relays	04541069
Sanitary Float Kit, 316SS, 1.83" dia., .61 SG, F Style Only	SD0529100
3A Float Kit, 316SS, 1.85" dia., .65SG	SD0566000
Food Grade Float Kit, 316SS, 1.83" dia., .61SG	SD0566900

### Wiring Diagram

