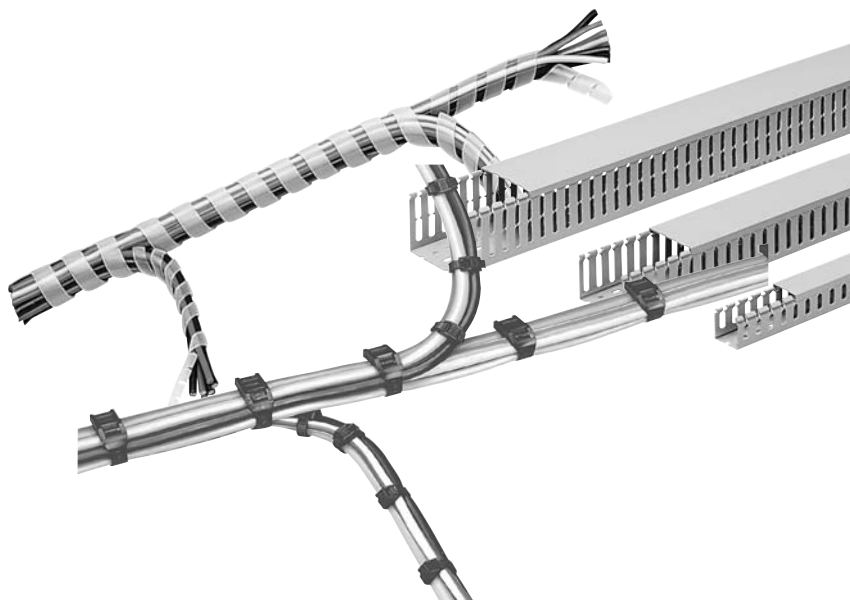


# Cable management systems



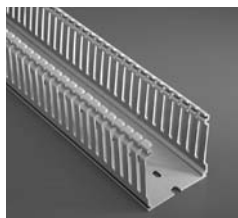
## Cable management systems

- Wire duct
- Cable ties
- Spiral wrap



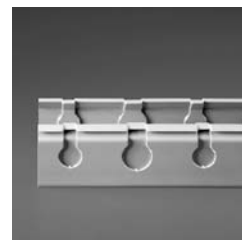
### General information

Those requiring considerable space for cables will find their needs met by ABB cable management systems, now also available in the 100 mm height and in a choice of six different base sizes (25, 40, 60, 80, 100 and 150 mm). New wiring ducts join the established designs (with heights between 17 and 80 mm), bringing to 28 the total size combinations offered, all available with 8 – 12 mm and 4 – 6 mm slots.



Less complicated work brings installers and panel builders faster solutions thanks to the new top profile of the ribs.

A new design of cable management systems with circular knockouts in the sides to facilitate branch connections using rigid and corrugated conduits has also been introduced for environments in which cables require greater protection against external agents (elevator rooms are a typical example).



New wiring ducts with circular knockouts in the sides are available for any specific kind of branch connections.

The updated range is completed by installation accessories and tools: plastic rivets, wire stops, label tags, new wiring ducts bases, a new rivet gun and shears.

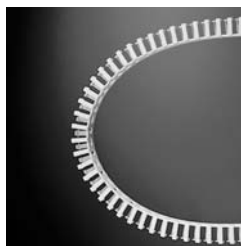
The top profile of the ribs of these wiring ducts has been redesigned to make it easier to open and close the cover and to ensure even more secure engagement.



All in one movement: thanks to the controlled splaying of the sides, gentle pressure is all it takes to fix the cover on the duct, forming a perfect seal in all conditions, even in environments that reach high temperatures.

To release it, simply press the ribs inwards with one hand.

*continued next page*



The new flexible thermoplastic wiring ducts solve every electrical switchboard and distribution switchboard wiring problem.

The best solution for hinged panels and doors are our new flexible thermoplastic cable management systems (available in seven sizes), which are ideal for every situation in which wiring is subject to flexion or torsion.

## General information

### Wire duct, cable ties, spiral wrap

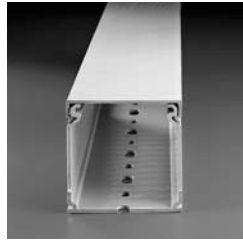
The cover can't slide in vertical sections, nor is the bottom rib affected by the weight of the cables in horizontal sections.

The exceptional care with which ABB wiring ducts are manufactured also ensures a clean internal finish. Because there aren't any plastic burrs you can work hour after hour without your hands suffering the consequences.

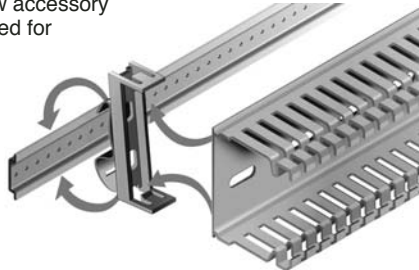
The dimensions and resilience of the ribs on ABB cable management systems ensure they can be moved apart many times during the wiring phase. But when you need to remove the rib to create openings for letting cables in or out, the special knockouts allow you to make an instant clean break. The base of the wall also features knockouts that make it possible to cut the edge when you want to make level branch connections.

The 80 and 100 mm high versions feature cable holder moldings in the middle of the straight sections of the ribs.

The new ABB cable management systems are in a class of their own when it comes to ease of installation. In fact they have been made for snap-on installation to a new accessory that's been specially designed for fast fitting both to DIN rails and base plates. The new bottom profile of the wiring ducts has been changed and no longer needs drilling or rivets. Thanks to this new accessory, mounting and removal both take no more than a click.



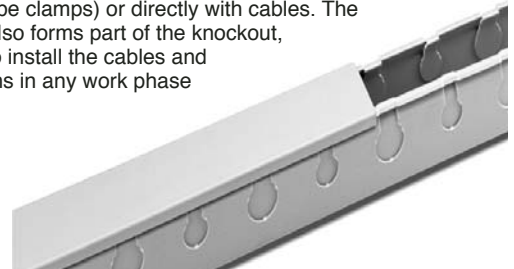
All the space cables need with the new wiring ducts available in the 100 mm height and six different base sizes.



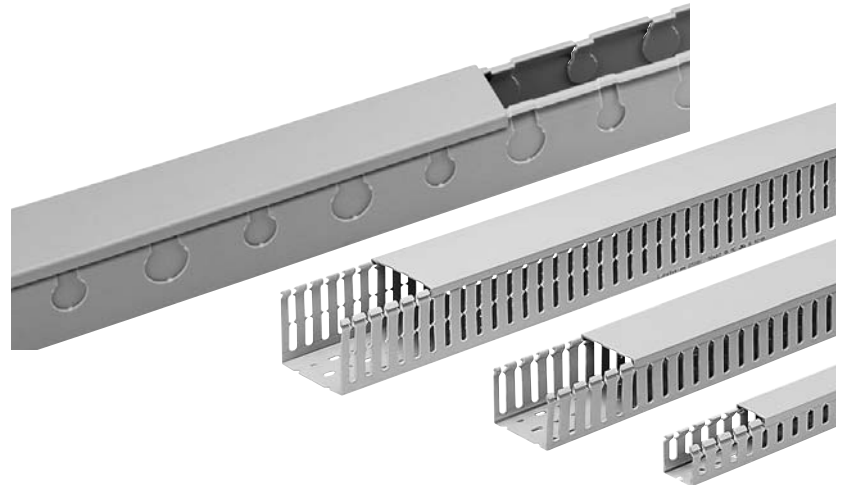
How do you connect the switchgears installed on switchboard doors? Our new flexible cable management systems can be bent or twisted without breaking and allow you to solve all manner of connection problems where hinged moving parts are concerned. They are quick and easy to use: the offset position of the ribs and the way they are angled slightly downwards makes it easier to insert and extract the cables.

These new ducts save time and energy compared to traditional coiled designs. When you need to add new cables, change and inspect them or carry out maintenance, the operations required are simple and take next to no time at all. Simply pull out the cables or feed in new ones without having to unwind or rewind the coils. The flexible wiring ducts are supplied as standard with ready-fitted double-sided adhesive tape offering high adhesion on steel. And you can, of course, naturally fit them using screws and rivets as well. They engage in special slots on the bottom that are orientated in two axes to enable the position of the ducts to be adjusted.

In those cases in which it's advantageous to protect cables from dust (IP 40) while retaining maximum installation flexibility, we designed these new cable management systems with circular knockouts in the sides for branch connections with rigid or corrugated conduits (with or without tube clamps) or directly with cables. The neck of the hole also forms part of the knockout, making it easier to install the cables and branch connections in any work phase and conditions.



# ABB Wiring duct



## Description

ABB wiring ducts are now also available in the 100 mm height and in a choice of six different base sizes (25, 40, 60, 80, 100 and 150 mm). These new wiring ducts join the established designs (with heights between 17 and 80 mm), bringing to 28 the total size combinations offered, all available with 8 – 12 mm and 4 – 6 mm slots.

Flexible thermoplastic wiring ducts (available in seven sizes) are ideal for every situation in which wiring is subject to flexion or torsion.

A new design of wiring ducts with circular knockouts in the sides to facilitate branch

connections using rigid and corrugated conduits has also been introduced for environments in which cables require greater protection against external agents (elevator rooms are a typical example).

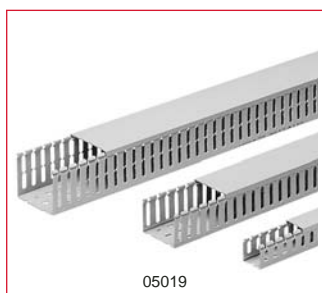
The updated range is completed by installation accessories and tools: plastic rivets, wire stops, label tags, new wiring ducts bases, a new rivet gun and shears.

The 80 and 100 mm high versions feature cable holder moldings in the middle of the straight sections of the ribs.

13

## Wiring duct, gray

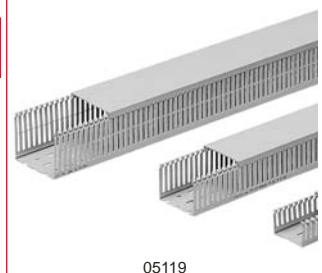
Standard; 8 – 12 mm slot,  
High density; 4 – 6 mm slot



### Standard; 8 – 12 mm slot, gray

Dimensions W x H (mm)	Dimensions W x H (in)	Meters per package	Feet per package	Pieces per package <sup>①</sup>	Catalog number <sup>①②</sup>	List price per package	List price per 2M piece	List price per foot
15 x 17	1/2 x 5/8	46	151	23	05019	\$ 345.00	\$ 15.00	\$ 2.29
25 x 30	1 x 1 1/4	58	190.5	29	05033	565.50	19.50	2.97
40 x 30	1 1/2 x 1 3/4	40	131.5	20	05035	500.00	25.00	3.81
60 x 30	2 1/4 x 1 1/4	52	171	26	05037	734.50	28.25	4.31
25 x 40	1 x 1 1/2	48	157.5	24	05043	570.00	23.75	3.62
40 x 40	1 1/2 x 1 1/2	30	98.5	15	05045	397.50	26.50	4.04
60 x 40	2 1/4 x 1 1/2	40	131	20	05047	590.00	29.50	4.50
80 x 40	3 x 1 1/2	32	105	16	05049	604.00	37.75	5.75
100 x 40	4 x 1 1/2	24	79	12	05051	474.00	39.50	6.02
120 x 40	4 3/4 x 1 1/2	20	66	10	05053	432.50	43.25	6.59
25 x 60	1 x 2 1/4	34	111.5	17	05063	442.00	26.00	3.96
40 x 60	1 1/2 x 2 1/4	22	72	11	05065	319.00	29.00	4.42
60 x 60	2 1/4 x 2 1/4	32	105	16	05067	488.00	30.50	4.65
80 x 60	3 x 2 1/4	24	79	12	05069	468.00	39.00	5.94
100 x 60	4 x 2 1/4	20	66	10	05071	430.00	43.00	6.55
120 x 60	4 3/4 x 2 1/4	14	46	7	05073	343.00	49.00	7.47
25 x 80	1 x 3	28	92	14	05083	451.50	32.25	4.91
40 x 80	1 1/2 x 3	36	118	18	05085	634.50	35.25	5.37
60 x 80	2 1/4 x 3	24	79	12	05087	456.00	38.00	5.79
80 x 80	3 x 3	16	52	8	05089	364.00	45.50	6.93
100 x 80	4 x 3	16	52	8	05091	394.00	49.25	7.51
120 x 80	4 3/4 x 3	12	39	6	05093	336.00	56.00	8.53
25 x 100	1 x 4	20	65.5	10	05094	377.50	37.75	5.75
40 x 100	1 1/2 x 4	28	92	14	05095	567.00	40.50	6.17
60 x 100	2 1/4 x 4	20	66	10	05096	432.50	43.25	6.59
80 x 100	3 x 4	14	46	7	05097	371.00	53.00	8.08
100x 100	4 x 4	8	26	4	05098	236.00	59.00	8.99
150 x 100	6 x 4	8	26	4	05099	372.00	93.00	14.17

**NOTE:** Sold in package quantity only. Order quantity must equal quantity shown in "pieces per package" column.  
Example: For 05019, 23 pieces must be ordered to get package quantity.



### High density; 4 – 6 mm slot, gray

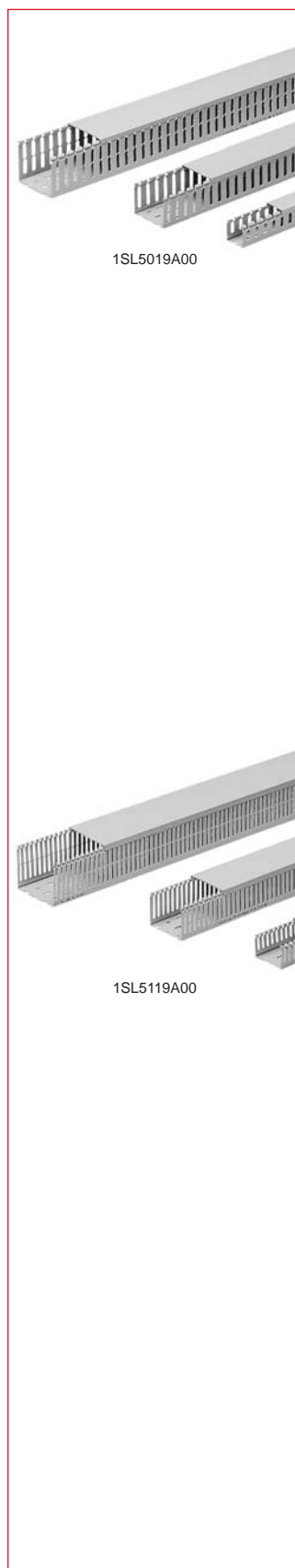
Dimensions W x H (mm)	Dimensions W x H (in)	Meters per package	Feet per package	Pieces per package <sup>①</sup>	Catalog number <sup>①②</sup>	List price per package	List price per 2M piece	List price per foot
15 x 17	1/2 x 5/8	46	151	23	05119	\$ 345.00	\$ 15.00	\$ 2.29
25 x 30	1 x 1 1/4	58	190.5	29	05133	565.50	19.50	2.97
40 x 30	1 1/2 x 1 3/4	40	131.5	20	05135	500.00	25.00	3.81
60 x 30	2 1/4 x 1 1/4	52	171	26	05137	734.50	28.25	4.31
25 x 40	1 x 1 1/2	48	157.5	24	05143	570.00	23.75	3.62
40 x 40	1 1/2 x 1 1/2	30	98.5	15	05145	397.50	26.50	4.04
60 x 40	2 1/4 x 1 1/2	40	131	20	05147	590.00	29.50	4.50
80 x 40	3 x 1 1/2	32	105	16	05149	604.00	37.75	5.75
100 x 40	4 x 1 1/2	24	79	12	05151	474.00	39.50	6.02
120 x 40	4 3/4 x 1 1/2	20	66	10	05153	432.50	43.25	6.59
25 x 60	1 x 2 1/4	34	111.5	17	05163	442.00	26.00	3.96
40 x 60	1 1/2 x 2 1/4	22	72	11	05165	319.00	29.00	4.42
60 x 60	2 1/4 x 2 1/4	32	105	16	05167	488.00	30.50	4.65
80 x 60	3 x 2 1/4	24	79	12	05169	468.00	39.00	5.94
100 x 60	4 x 2 1/4	20	66	10	05171	430.00	43.00	6.55
120 x 60	4 3/4 x 2 1/4	14	46	7	05173	343.00	49.00	7.47
25 x 80	1 x 3	28	92	14	05183	451.50	32.25	4.91
40 x 80	1 1/2 x 3	36	118	18	05185	634.50	35.25	5.37
60 x 80	2 1/4 x 3	24	79	12	05187	456.00	38.00	5.79
80 x 80	3 x 3	16	52	8	05189	364.00	45.50	6.93
100 x 80	4 x 3	16	52	8	05191	394.00	49.25	7.51
120 x 80	4 3/4 x 3	12	39	6	05193	336.00	56.00	8.53
25 x 100	1 x 4	20	65.5	10	05194	377.50	37.75	5.75
40 x 100	1 1/2 x 4	28	92	14	05195	567.00	40.50	6.17
60 x 100	2 1/4 x 4	20	66	10	05196	432.50	43.25	6.59
80 x 100	3 x 4	14	46	7	05197	371.00	53.00	8.08
100x 100	4 x 4	8	26	4	05198	236.00	59.00	8.99
150 x 100	6 x 4	8	26	4	05199	372.00	93.00	14.17

**NOTE:** Sold in package quantity only. Order quantity must equal quantity shown in "pieces per package" column.  
Example: For 05119, 23 pieces must be ordered to get package quantity.

① Sold in package quantity only. Order quantity must equal quantity shown in "pieces per package" column.  
② Wire duct cover included.

## Wiring duct, white

Standard; 8 – 12mm slot  
High density; 4 – 6mm slot



### Standard; 8 – 12 mm slot

Dimensions W x H (mm)	Dimensions W x H (in)	Meters per package	Feet per package	Pieces per package <sup>①</sup>	Catalog number <sup>①②</sup>	List price per package	List price per 2M piece	List price per foot
15 x 17	1/2 x 5/8	46	151	23	1SL5019A00	\$ 345.00	\$ 15.00	\$ 2.29
25 x 30	1 x 1 1/4	58	190.5	29	1SL5033A00	565.50	19.50	2.97
40 x 30	1 1/2 x 1 3/4	40	131.5	20	1SL5035A00	500.00	25.00	3.81
60 x 30	2 1/4 x 1 1/4	52	171	26	1SL5037A00	734.50	28.25	4.31
25 x 40	1 x 1 1/2	48	157.5	24	1SL5043A00	570.00	23.75	3.62
40 x 40	1 1/2 x 1 1/2	30	98.5	15	1SL5045A00	397.50	26.50	4.04
60 x 40	2 1/4 x 1 1/2	40	131	20	1SL5047A00	590.00	29.50	4.50
80 x 40	3 x 1 1/2	32	105	16	1SL5049A00	604.00	37.75	5.75
100 x 40	4 x 1 1/2	24	79	12	1SL5051A00	474.00	39.50	6.02
120 x 40	4 3/4 x 1 1/2	20	66	10	1SL5053A00	432.50	43.25	6.59
25 x 60	1 x 2 1/4	34	111.5	17	1SL5063A00	442.00	26.00	3.96
40 x 60	1 1/2 x 2 1/4	22	72	11	1SL5065A00	319.00	29.00	4.42
60 x 60	2 1/4 x 2 1/4	32	105	16	1SL5067A00	488.00	30.50	4.65
80 x 60	3 x 2 1/4	24	79	12	1SL5069A00	468.00	39.00	5.94
100 x 60	4 x 2 1/4	20	66	10	1SL5071A00	430.00	43.00	6.55
120 x 60	4 3/4 x 2 1/4	14	46	7	1SL5073A00	343.00	49.00	7.47
25 x 80	1 x 3	28	92	14	1SL5083A00	451.50	32.25	4.91
40 x 80	1 1/2 x 3	36	118	18	1SL5085A00	634.50	35.25	5.37
60 x 80	2 1/4 x 3	24	79	12	1SL5087A00	456.00	38.00	5.79
80 x 80	3 x 3	16	52	8	1SL5089A00	364.00	45.50	6.93
100 x 80	4 x 3	16	52	8	1SL5091A00	394.00	49.25	7.51
120 x 80	4 3/4 x 3	12	39	6	1SL5093A00	336.00	56.00	8.53
25 x 100	1 x 4	20	65.5	10	1SL5094A00	377.50	37.75	5.75
40 x 100	1 1/2 x 4	28	92	14	1SL5095A00	567.00	40.50	6.17
60 x 100	2 1/4 x 4	20	66	10	1SL5096A00	432.50	43.25	6.59
80 x 100	3 x 4	14	46	7	1SL5097A00	371.00	53.00	8.08
100 x 100	4 x 4	8	26	4	1SL5098A00	236.00	59.00	8.99
150 x 100	6 x 4	8	26	4	1SL5099A00	372.00	93.00	14.17

**NOTE:** Sold in package quantity only. Order quantity must equal quantity shown in "pieces per package" column. Example: For 1SL5019A00, 23 pieces must be ordered to get package quantity.

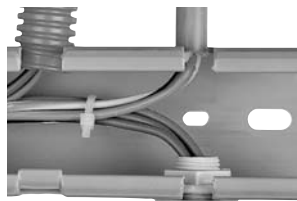
### High density; 4 – 6 mm slot

Dimensions W x H (mm)	Dimensions W x H (in)	Meters per package	Feet per package	Pieces per package <sup>①</sup>	Catalog number <sup>①②</sup>	List price per package	List price per 2M piece	List price per foot
15 x 17	1/2 x 5/8	46	151	23	1SL5119A00	\$ 345.00	\$ 15.00	\$ 2.29
25 x 30	1 x 1 1/4	58	190.5	29	1SL5133A00	565.50	19.50	2.97
40 x 30	1 1/2 x 1 3/4	40	131.5	20	1SL5135A00	500.00	25.00	3.81
60 x 30	2 1/4 x 1 1/4	52	171	26	1SL5137A00	734.50	28.25	4.31
25 x 40	1 x 1 1/2	48	157.5	24	1SL5143A00	570.00	23.75	3.62
40 x 40	1 1/2 x 1 1/2	30	98.5	15	1SL5145A00	397.50	26.50	4.04
60 x 40	2 1/4 x 1 1/2	40	131	20	1SL5147A00	590.00	29.50	4.50
80 x 40	3 x 1 1/2	32	105	16	1SL5149A00	604.00	37.75	5.75
100 x 40	4 x 1 1/2	24	79	12	1SL5151A00	474.00	39.50	6.02
120 x 40	4 3/4 x 1 1/2	20	66	10	1SL5153A00	432.50	43.25	6.59
25 x 60	1 x 2 1/4	34	111.5	17	1SL5163A00	442.00	26.00	3.96
40 x 60	1 1/2 x 2 1/4	22	72	11	1SL5165A00	319.00	29.00	4.42
60 x 60	2 1/4 x 2 1/4	32	105	16	1SL5167A00	488.00	30.50	4.65
80 x 60	3 x 2 1/4	24	79	12	1SL5169A00	468.00	39.00	5.94
100 x 60	4 x 2 1/4	20	66	10	1SL5171A00	430.00	43.00	6.55
120 x 60	4 3/4 x 2 1/4	14	46	7	1SL5173A00	343.00	49.00	7.47
25 x 80	1 x 3	28	82	14	1SL5183A00	451.50	32.25	4.91
40 x 80	1 1/2 x 3	36	118	18	1SL5185A00	634.50	35.25	5.37
60 x 80	2 1/4 x 3	24	79	12	1SL5187A00	456.00	38.00	5.79
80 x 80	3 x 3	16	52	8	1SL5189A00	364.00	45.50	6.93
100 x 80	4 x 3	16	52	8	1SL5191A00	394.00	49.25	7.51
120 x 80	4 3/4 x 3	12	39	6	1SL5193A00	336.00	56.00	8.53
25 x 100	1 x 4	20	65.5	10	1SL5194A00	377.50	37.75	5.75
40 x 100	1 1/2 x 4	28	92	14	1SL5195A00	567.00	40.50	6.17
60 x 100	2 1/4 x 4	20	66	10	1SL5196A00	432.50	43.25	6.59
80 x 100	3 x 4	14	46	7	1SL5197A00	371.00	53.00	8.08
100x 100	4 x 4	8	26	4	1SL5198A00	236.00	59.00	8.99
150 x 100	6 x 4	8	26	4	1SL5199A00	372.00	93.00	14.17

**NOTE:** Sold in package quantity only. Order quantity must equal quantity shown in "pieces per package" column. Example: For 1SL5119A00, 23 pieces must be ordered to get package quantity.

① Sold in package quantity only. Order quantity must equal quantity shown in "pieces per package" column.  
② Wire duct cover included.

## Wiring duct Specialty products



05330



05400



18372

### Wiring duct with knockouts

#### Wiring duct with 18mm 1/2" and 23mm 3/4" knockouts, gray

Dimensions W x H (mm)	Dimensions W x H (in)	Meters per package	Feet per package	Pieces per package ①	Catalog number ①②	List price per package ①	List price per 2M piece	List price per foot
50 x 50	2 x 2	36	118	18	05330	\$ 738.00	\$ 41.00	\$ 6.25
100 x 60	4 x 1 1/2	18	59	9	05331	450.00	45.00	7.50

**NOTE:** Sold in package quantity only. Order quantity must equal quantity shown in "pieces per package" column. Example: For 05330, 18 pieces must be ordered to get package quantity.

### Flexible wiring duct

#### Flexible wiring duct – (500mm), White

Dimensions W x H (mm)	Dimensions W x H (in)	Meters per package	Feet per package	Pieces per package ①	Catalog number ①	List price per package	List price per piece	List price per foot
12.5 x 12.5	1/2 x 1/2	56	184	112	05400	\$ 1344.00	\$ 12.00	\$ 7.32
16 x 16	5/8 x 5/8	42	138	84	05402	1134.00	13.50	8.23
20 x 20	3/4 x 3/4	56	184	112	05405	1820.00	16.25	9.91
25 x 25	1 x 1	35	115	70	05410	1260.00	18.00	10.97
30 x 30	1 3/4 x 1 3/4	25	82	50	05415	1075.00	21.50	13.11
40 x 40	1 1/2 x 1 1/2	25	82	50	05420	1375.00	27.50	16.76
50 x 50	2 x 2	16	52	32	05425	1064.00	33.25	20.27

**NOTE:** Sold in package quantity only. Order quantity must equal quantity shown in "pieces per package" column. Example: For 05400, 112 pieces must be ordered to get package quantity.

#### Flexible wiring duct – UL Recognized (19.5"), Gray

Dimensions Inside dia. (mm)	Dimensions Inside dia. (in.)	Meters per package	Feet per package	Pieces per package	Catalog number	List price per package	List price per piece	List price per foot
10	.39	350	1148	700	T-10	\$ 7700.00	\$ 11.00	\$ 6.77
20	.79	175	574	350	T-20	4112.50	11.75	7.23
30	1.18	100	328	200	T-30	2550.00	12.75	7.85
40	1.58	50	164	100	T-40	1450.00	14.50	8.92

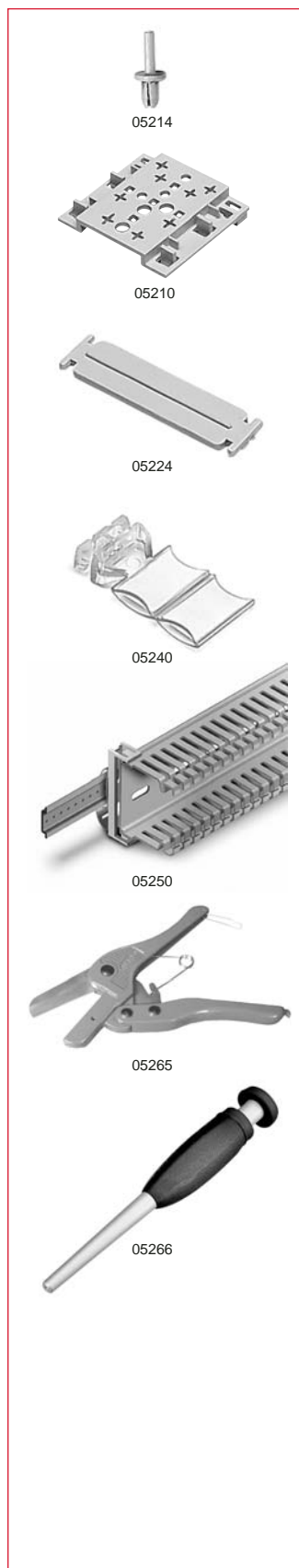
### Spiral wrap

#### Spiral wrap

Height Dim A in [mm]	Width Dim B in [mm]	Diameter (mm)		Length per roll (meters)	Length per roll (feet)	Catalog number	List price	
		Min. in [mm]	Max. in [mm]					
<b>Translucent polyethylene</b>								
.12 [3]	.2 [5]	.08 [2]	.47 [12]		50	164	18370	\$ 60.00
.24 [6]	.31 [8]	.2 [5]	2.20 [56]		25	82	18372	40.75
.39 [10]	.43 [11]	.47 [12]	3.94 [100]		25	82	18374	56.50
.47 [12]	.51 [13]	.55 [14]	5.12 [130]		25	82	18376	92.00
<b>Self-extinguishing polyethylene</b>								
.12 [3]	.2 [5]	.08 [2]	.47 [12]		50	164	18380	70.00
.24 [6]	.31 [8]	.2 [5]	2.20 [56]		25	82	18382	52.50
.39 [10]	.43 [11]	.47 [12]	3.94 [100]		25	82	18384	84.00
.47 [12]	.51 [13]	.55 [14]	5.12 [130]		25	82	18386	117.25

① Sold in package quantity only. Order quantity must equal quantity shown in "pieces per package" column.  
② Wire duct cover included.

## Wiring duct Tools and Accessories



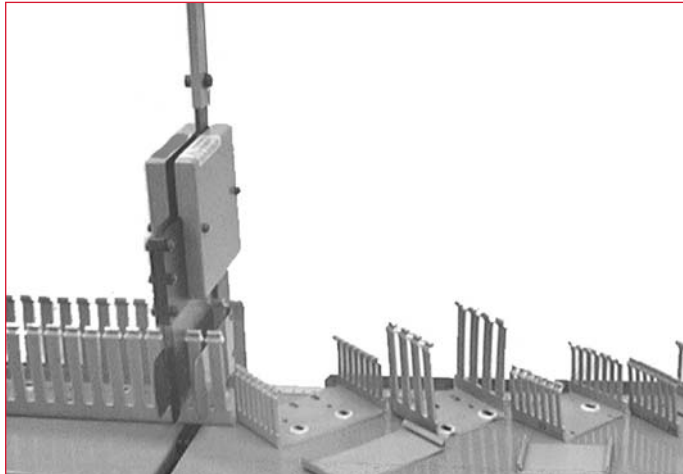
Item	Pieces per package	Catalog number	List price per package
Plastic rivet, 4 mm (to be used with plastic ducting base)	100	05214	<b>\$ 30</b>
Plastic rivet, 6 mm, (to be used with plastic ducting base)	100	05216	<b>36</b>
Plastic ducting base	100	05210	<b>150</b>
Plastic wire stops for 8 – 12 mm slot 40 mm bases	100	05224	<b>100</b>
Plastic wire stops for 8 – 12 mm slot 60 mm bases	100	05226	<b>125</b>
Plastic wire stops for 8 – 12 mm slot 80 mm bases	100	05228	<b>150</b>
Plastic wire stops for 8 – 12 mm slot 100 mm bases	100	05230	<b>200</b>
Plastic label for 8 – 12 mm slot	100	05240	<b>240</b>
Rapid clip for DIN rail for 25 mm base	20	05250	<b>100</b>
Rapid clip for DIN rail for 40 mm base	20	05252	<b>80</b>
Rapid clip for DIN rail for 60 mm base	20	05254	<b>90</b>
Rapid clip for DIN rail for 80 mm base	20	05256	<b>100</b>
Rapid clip for DIN rail for 100 mm base	20	05258	<b>105</b>
Rapid clip for DIN rail for 120 mm base	20	05260	<b>110</b>
Rapid clip for DIN rail for 150 mm base	20	05262	<b>115</b>
Wire duct hand cutting tool	1	05265	<b>150</b>
Rivet gun	1	05266	<b>200</b>
Adhesive tape, 6 mm wide x 50 m long	1	05930	<b>65</b>
Adhesive tape, 9 mm wide x 50 m long	1	05932	<b>95</b>

### Wiring duct covers

Dimensions Width mm	Color	Meters per package	Feet per package	Pieces per package	Catalog number	List price per package	List price per 2M piece	List price per foot
15	Gray	200	656	100	05300	<b>\$ 400.00</b>	<b>\$ 4.00</b>	<b>\$ 0.61</b>
25	Gray	60	197	30	05302	<b>144.00</b>	<b>4.80</b>	<b>0.73</b>
40	Gray	40	131	20	05304	<b>170.00</b>	<b>8.50</b>	<b>1.30</b>
60	Gray	24	79	12	05306	<b>159.00</b>	<b>13.25</b>	<b>2.02</b>
80	Gray	16	52	8	05308	<b>164.00</b>	<b>20.50</b>	<b>3.12</b>
100	Gray	48	157	24	05310	<b>576.00</b>	<b>24.00</b>	<b>3.66</b>
120	Gray	36	118	18	05312	<b>621.00</b>	<b>34.50</b>	<b>5.26</b>
150	Gray	28	92	14	05314	<b>637.00</b>	<b>45.50</b>	<b>6.93</b>
15	White	200	656	100	1SL5300A00	<b>400.00</b>	<b>4.00</b>	<b>0.61</b>
25	White	60	197	30	1SL5302A00	<b>144.00</b>	<b>4.80</b>	<b>0.73</b>
40	White	40	131	20	1SL5304A00	<b>170.00</b>	<b>8.50</b>	<b>1.30</b>
60	White	24	79	12	1SL5306A00	<b>159.00</b>	<b>13.25</b>	<b>2.02</b>
80	White	16	52	8	1SL5308A00	<b>164.00</b>	<b>20.50</b>	<b>3.12</b>
100	White	48	157	24	1SL5310A00	<b>576.00</b>	<b>24.00</b>	<b>3.66</b>
120	White	36	118	18	1SL5312A00	<b>621.00</b>	<b>34.50</b>	<b>5.26</b>
150	White	28	92	14	1SL5314A00	<b>637.00</b>	<b>45.50</b>	<b>6.93</b>

**NOTE:** Sold in package quantity only. Order quantity must equal quantity shown in "pieces per package" column.  
Example: For 05300, 100 pieces must be ordered to get package quantity.

## Wiring duct Tools Wiring duct cutter – Industrial grade

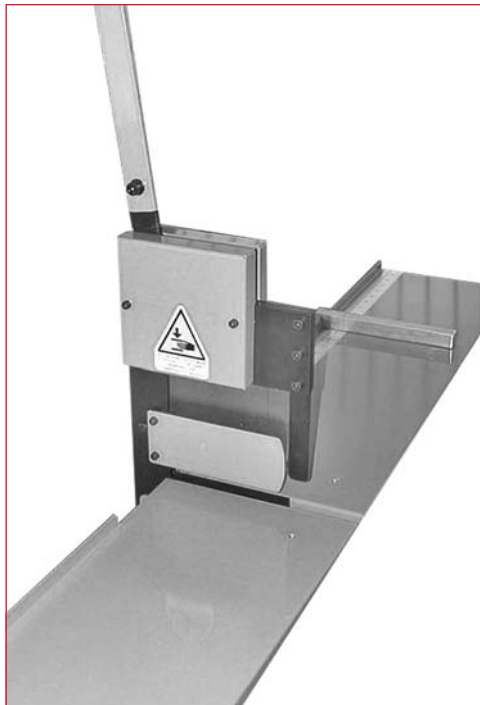


### Description

Description	Catalog number	List price
Wire duct cutting machine - Industrial grade	XUS001628	<b>\$ 800</b>
Replacement blade	XUS001629	<b>300</b>

### Technical Features

- Length: 1450 mm
- Height: 950 mm
- Depth: 260 mm
- Blade length: 130 mm (maximum wire duct cutting width is 120 mm (5.0 in))
- Blade life: 250,000 cuts
- Blade life is based on usage of traditional PVC wiring duct. Use of halogen-free wiring or any other wiring duct containing abrasive material dramatically reduces the blade life
- Bench mounting material not included.



13



## Wiring duct Tools Wiring duct cutter – Production grade



### Description

Description	Catalog number	List price
Wire duct cutting machine - Production grade	XUS002518	\$ 1200
Replacement blade	XUS002519	495

### Technical Features

- Length: 1290 mm
- Height: 785 mm
- Depth: 285 mm
- Blade length: 136 mm (maximum wire duct cutting width is 120 mm (5.0 in))
- Blade life: 400,000 cuts
- Blade life is based on usage of traditional PVC wiring duct. Use of halogen-free wiring or any other wiring duct containing abrasive material dramatically reduces the blade life
- Calibrated scale
- Bench mounting material not included.



# Wiring duct

## Technical data

### Wire capacity, 800 - 1000 AWG



#### 800 - 1000 AWG

Gray 4/6 slot	Gray 8/12 slot	ABB wiring duct code		Nominal duct size (mm)	Nominal duct size (inches)	Usable areas (mm <sup>2</sup> )	Maximum number of wires according to AGW and cable section (mm <sup>2</sup> )	
		White 4/6 slot	White 8/12 slot				800 405	1000 508
05119	05019	1SL5119A00	1SL5019A00	15x17	1/2x5/8	110	0	0
05133	05033	1SL5133A00	1SL5033A00	25x30	1x1 1/4	490	0	0
05135	05035	1SL5135A00	1SL5035A00	40X30	1 1/2X1 1/4	890	1	0
05137	05037	1SL5137A00	1SL5037A00	60x30	2 1/4x1 1/4	1430	1	1
05143	05043	1SL5143A00	1SL5043A00	25X40	1X1 1/2	710	0	0
05145	05045	1SL5145A00	1SL5045A00	40x40	1 1/2x1 1/2	1260	1	1
05147	05047	1SL5147A00	1SL5047A00	60x40	2 1/4x1 1/2	2000	2	1
05149	05049	1SL5149A00	1SL5049A00	80X40	3X1 1/2	2710	3	2
05151	05051	1SL5151A00	1SL5051A00	100X40	4X1 1/2	3460	4	3
05153	05053	1SL5153A00	1SL5053A00	120X40	4 3/4X1 1/2	4200	5	4
05163	05063	1SL5163A00	1SL5063A00	25X60	1 X 2 1/4	1120	1	1
05165	05065	1SL5165A00	1SL5065A00	40X60	1 1/2X2 1/4	1970	2	1
05167	05067	1SL5167A00	1SL5067A00	60X60	2 1/4X2 1/4	3060	3	3
05169	05069	1SL5169A00	1SL5069A00	80X60	3X2 1/4	4190	5	4
05171	05071	1SL5171A00	1SL5071A00	100X60	4X2 1/4	5320	6	5
05173	05073	1SL5173A00	1SL5073A00	120X60	4 3/4X2 1/4	6330	7	6
05183	05083	1SL5183A00	1SL5083A00	25X80	1X3	1540	1	1
05185	05085	1SL5185A00	1SL5085A00	40X80	1 1/2X3	2670	3	2
05187	05087	1SL5187A00	1SL5087A00	60X80	2 1/4X3	4140	5	4
05189	05089	1SL5189A00	1SL5089A00	80X80	3X3	5650	6	5
05191	05091	1SL5191A00	1SL5091A00	100X80	4X3	7170	8	7
05193	05093	1SL5193A00	1SL5093A00	120X80	4 3/4X3	8570	10	8
05194	05094	1SL5194A00	1SL5094A00	25X100	1X4	1970	2	1
05195	05095	1SL5195A00	1SL5095A00	40X100	1 1/2X4	3410	4	3
05196	05096	1SL5196A00	1SL5096A00	60X100	2 1/4X4	5300	6	5
05197	05097	1SL5197A00	1SL5097A00	80X100	3X4	7190	8	7
05198	05098	1SL5198A00	1SL5098A00	100X100	4X4	9110	11	8
05199	05099	1SL5199A00	1SL5099A00	150X100	6X4	13,740	16	13

## Wiring duct Technical data

- Gray color — RAL 7030
- White color — RAL 9016
- Plastic insulating, shock-proof, self-extinguishing material in compliance with UL 94 VO Standard and resistant to abnormal heat and fire up to 960° (glow wire test) in compliance with IEC 695-2-1 Standard. UL File # E125800
- Minimum storage/transport temperature -5°C
- Minimum installation and usage temperature -15°C
- Maximum usage temperature +60°C.
- Resistance to acids, oils and greases
- No burr, rounded-off inner edges
- New rib profile makes it easy to open and close the cover and guarantees that it clips on more safely
- Designed to snap onto the Fix-O-rapid special accessory, suitable to be fastened both to DIN rail and base plate
- The ribs are cut using a special pressing process (rounding of the edges) producing wiring ducts completely free of burr and rough edges
- The dimensions and resilience of the ribs ensure repeated splaying during cabling
- Controlled splaying of sides to ensure a perfect seal of the cover in the vertical sections and at high temperatures
- Double trimming line, one at the base of the ribs so that they can be removed by bending them outwards, and one at the base of the lateral sides so that the edge can be cut when two wiring ducts are branched
- Cable holder moldings half-way up the straight section of the ribs in 80 and 100 mm high wiring ducts
- Cover can be opened without having to use a special tool
- Can be mounted on horizontal or vertical surfaces even when the cover is on the bottom
- Standard 2 meter length
- Industrial application

# Wiring duct Technical data Resistance to chemical agents

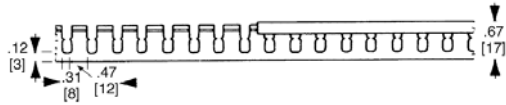
Chemical	Concentration	Temp. °C	Resistance	Chemical	Concentration	Temp. °C	Resistance
Acetic acid, hydrous	10%	50	①	Formic acid	100%	20	①
Acetic acid`	60%	50	①	Freon 12	—	20	①
Acetone	Traces	20	②	Gasoline	—	50	①
Acetone	100%	20	②	Glycerine, hydrous	—	50	①
Acqua regia	—	20	①	Hydrochloric acid	saturated	50	①
Ammonia concentrate	88%	50	①	Hydrogen	—	50	①
Ammonia, dry gas	100%	50	①	Linseed oil	—	50	①
Ammonia, liquid	100%	20	③	Lubricating oils	—	50	①
Aniline, pure	100%	20	②	Mineral oil	—	50	①
Arsenic acid, hydrous	concentrated	20	①	Molasses	—	20	②
Barium hydroxide, hydr.	—	50	①	Oils and fats	commercial	50	①
Beer	commercial	20	①	Oil of turpentine	commercial	20	①
Benzene	—	20	②	Ozone	—	20	①
Benzoic acid	—	20	③	Paraffin wax	—	50	①
Borax, hydrous	thinned	50	①	Photographic developer	commercial	50	①
Boric acid, hydrous	thinned	50	①	Photographic emulsions	—	50	①
Brandy	commercial	20	①	Potassium permanganate	6%	20	①
Bromide liquid	—	20	②	Propane, liquid	—	20	①
Butane gaseous	—	20	①	Salicylic acid	—	50	①
Butadiene	50%	50	①	Sea water	—	50	①
Butanol	—	20	①	Soda, hydrous	saturated	50	①
Butyric acid, hydrous	20%	20	①	Sodium chloride	thinned	50	①
Calcium chloride	—	50	①	Spirits, all types	—	20	①
Camphor oil	—	20	①	Sulphur	—	50	①
Carbon tetrachloride	—	20	③	Sulphuric acid, hydrous	40%	50	①
Chlorine gaseous, dry	100%	20	①	Tannic acid	—	50	①
Chlorine gaseous, moist	20%	20	③	Tetrahydrofuran	—	20	②
Chlorine water	saturated	20	③	Toluene	—	20	②
Chromic acid, hydrous	—	50	①	Urea, hydrous	—	50	①
Citric acid, hydrous	—	50	①	Urine	—	50	①
Copper sulphate, hydrous	thinned	50	①	Vinegar	commercial	50	①
Diesel oil	—	20	①	Water	—	50	①
Ethyl-alcohol	100% (in water)	20	①	Wines, red & white	commercial	20	①
Formaldehyde, hydrous	40%	50	①	Zinc sulphate, hydrous	thinned	50	①

① Resistant  
 ② Not sufficiently resistant  
 ③ Resistant in certain conditions  
 ④ Resistance to this product has been determined from the resistance to chemical products of similar composition

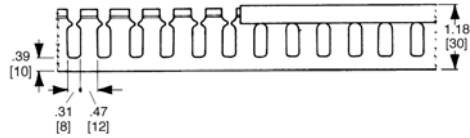
# Wiring duct Approximate dimensions

00.00 Inches  
00.00 [Millimeters]

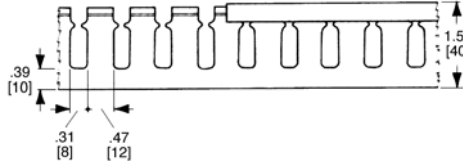
**.31 – .47" [8-12 mm] slot**  
**.87" [17 mm] height**



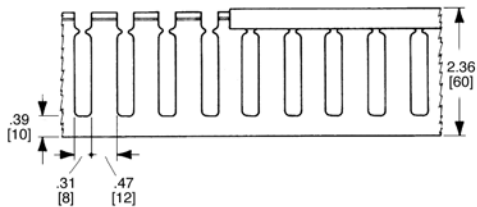
**1.18" [30 mm] height**



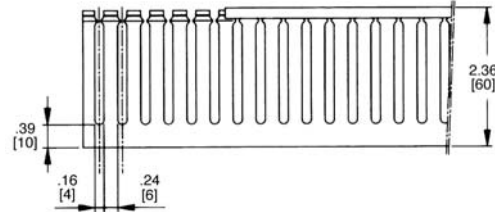
**1.57" [40 mm] height**



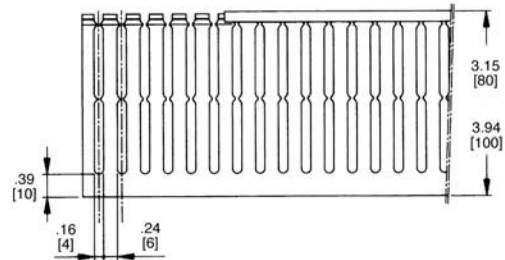
**2.36" [60 mm] height**



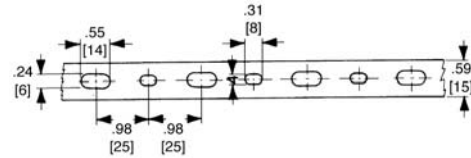
**2.36" [60 mm] height**



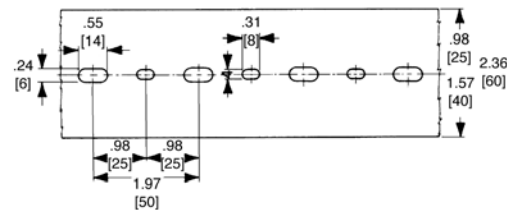
**3.15", 3.94" [80 mm, 100 mm] height**



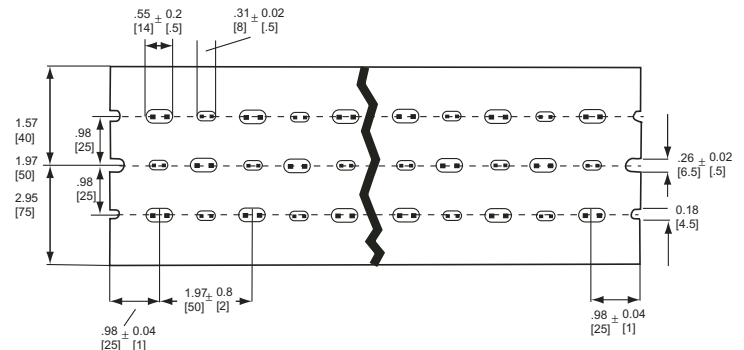
**.16 – .24" [4 – 6 mm] & .31 – .47" [8 – 12 mm] spacing**  
**.59" [15 mm] width**



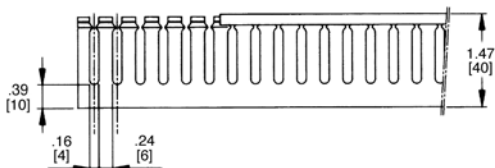
**.98", 1.57", 2.36" [25, 40, 60 mm] width**



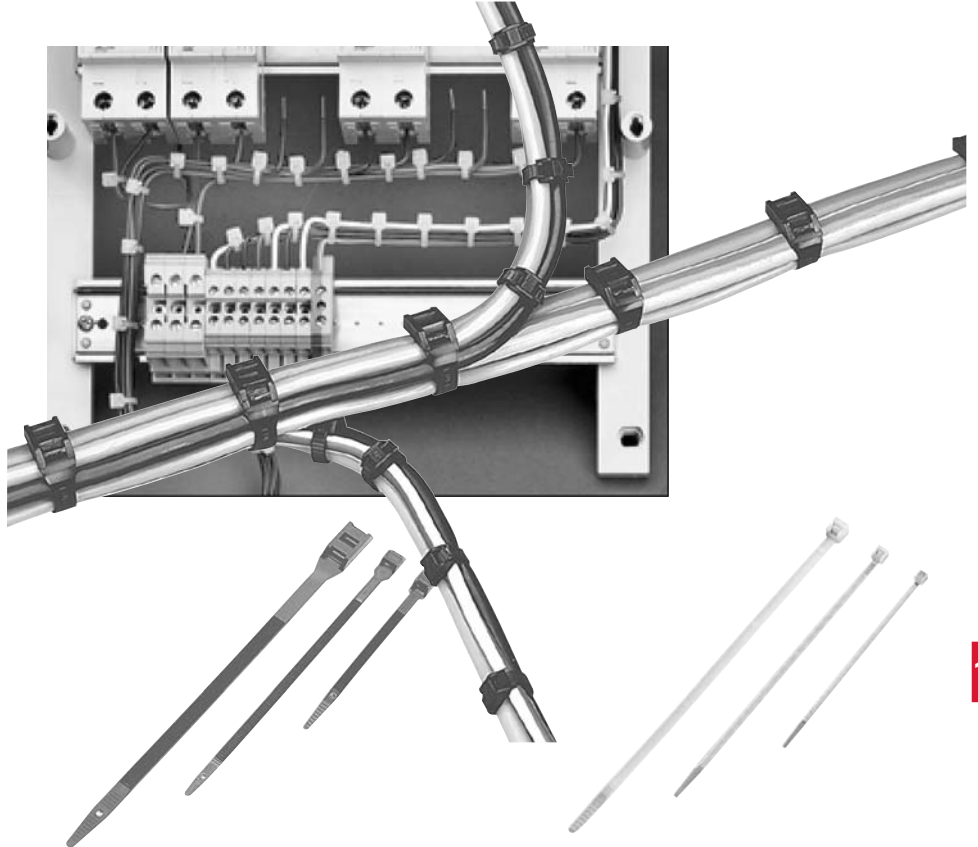
**1.57", 1.97", 2.95" [80, 100, 150 mm] width**



**.16 – .24" [4 – 6 mm] slot**  
**1.47" [40 mm] height**



# ABB Cable ties



13

## Features

- Easy to install and remove.
- Provides protection to the wire bundle.
- Available in white and black

## Applications

- Fast and economical grouping of wire bundles.
- Joining groups of wires and/or tubing.
- Flexible connections between door and panel

## Cable ties



Sample cable tie installations



White 6/6 polyamide cable ties



Black 6/6 polyamide cable ties



Black 12 polyamide cable ties

### Cable ties

Item L x W ②	Minimum tensile strength (lbs.)	Pieces per <sup>①</sup> package	Catalog number ①	List price per package
<b>White (6/6 polyamide)</b>				
3.94" (100 mm) x .10" (2.5 mm)	24	100	18010	\$ 6.50
5.31" (135 mm) x .10" (2.5 mm)	24		18011	7.00
6.30" (160 mm) x .10" (2.5 mm)	24		18013	8.00
5.51" (140 mm) x .14" (3.5 mm)	44		18012	8.00
7.87" (200 mm) x .14" (3.5 mm)	44		18014	9.00
11.02" (280 mm) x .14" (3.5 mm)	44		18017	12.00
7.09" (180 mm) x .17" (4.5 mm)	61		18015	10.25
11.02" (280 mm) x .17" (4.5 mm)	61		18018	19.00
14.17" (360 mm) x .17" (4.5 mm)	61		18020	23.00
7.87" (200 mm) x .30" (7.5 mm)	143		18024	22.00
11.02" (280 mm) x .30" (7.5 mm)	143		18026	28.00
14.17" (360 mm) x .30" (7.5 mm)	143		18028	34.00
16.92" (430 mm) x .35" (9 mm)	176		18034	46.00
21.65" (550 mm) x .35" (9 mm)	176		18036	55.00
30.71" (780 mm) x .35" (9 mm)	176		18038	75.00
<b>White (6/6 bulk)</b>				
3.94" (100 mm) x .10" (2.5 mm)	24	1000	18060	55.00
5.31" (135 mm) x .10" (2.5 mm)	24		18061	60.00
6.30" (160 mm) x .10" (2.5 mm)	24		18063	70.00
5.51" (140 mm) x .14" (3.5 mm)	44		18062	70.00
7.87" (200 mm) x .14" (3.5 mm)	44		18064	80.00
<b>Black (6/6 polyamide)</b>				
3.94" (100 mm) x .10" (2.5 mm)	24	100	18110	6.75
5.31" (135 mm) x .10" (2.5 mm)	24		18111	7.25
6.30" (160 mm) x .10" (2.5 mm)	24		18113	8.50
5.51" (140 mm) x .14" (3.5 mm)	44		18112	8.25
7.87" (200 mm) x .14" (3.5 mm)	44		18114	9.50
11.02" (280 mm) x .14" (3.5 mm)	44		18117	13.00
7.09" (180 mm) x .17" (4.5 mm)	61		18115	10.75
11.02" (280 mm) x .17" (4.5 mm)	61		18118	20.50
14.17" (360 mm) x .17" (4.5 mm)	61		18120	25.00
7.87" (200 mm) x .30" (7.5 mm)	143		18124	24.00
11.02" (280 mm) x .30" (7.5 mm)	143		18126	31.00
14.17" (360 mm) x .30" (7.5 mm)	143		18128	37.00
16.92" (430 mm) x .35" (9 mm)	176		18134	48.00
21.65" (550 mm) x .35" (9 mm)	176		18136	57.00
30.71" (780 mm) x .35" (9 mm)	176		18138	77.00
<b>Black (6/6 bulk)</b>				
3.94" (100 mm) x .10" (2.5 mm)	24	1000	18160	57.00
5.31" (135 mm) x .10" (2.5 mm)	24		18161	63.00
6.30" (160 mm) x .10" (2.5 mm)	24		18163	77.00
5.51" (140 mm) x .14" (3.5 mm)	44		18162	77.00
7.87" (200 mm) x .14" (3.5 mm)	44		18164	85.00
<b>Black (12 polyamide)</b>				
4.53" (115 mm) x .24" (6 mm)	55	100	18210	21.00
6.89" (175 mm) x .24" (6 mm)	55		18212	24.00
4.53" (115 mm) x .35" (9 mm)	88		18218	32.00
7.09" (180 mm) x .35" (9 mm)	110		18220	36.00
10.43" (265 mm) x .35" (9 mm)	110		18222	42.00
14.17" (360 mm) x .35" (9 mm)	110		18224	55.00

① Sold in package quantity only.  
② 25.4mm = 1 inch



## Cable ties Accessories



### Cable tie accessories

Item	Pieces per package ①	Catalog number ①	List price per package
Self-adhesive base for cable ties (clear)	50	18250	\$ 18.00
Self-adhesive base for cable ties (black)	50	18251	18.00
Screw mounted base for cable ties (clear)	100	18252	14.00
Screw mounted base for cable ties (black)	100	18253	14.00
Cable tie cutter	1	18270	150.00
Screw mounted base for cable ties	25	18280	13.00
Push-in base for cable ties	25	18282	20.00
Outer cable tie cutter	1	18290	80.00

① Sold in package quantity only.

## Cable ties

### Technical data & approximate dimensions

#### General features

- Manufactured in 6/6 nylon; Colorless for general uses
- Better stored at mild temperatures, away from heat and excessively dry conditions
- Black cable ties are UV resistant; excellent for outdoor applications

#### Thermal properties

- Suitable for use at temperatures from -40° to +110°C
- Softening point VICAT VST/B/50-DIN 53460 over 200°C

#### Electrical characteristics


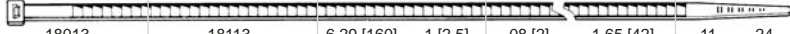
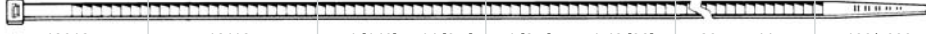
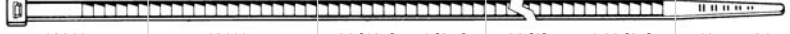
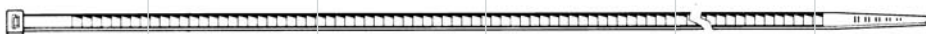


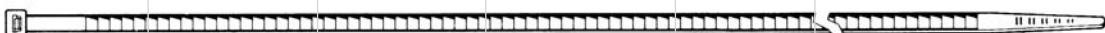
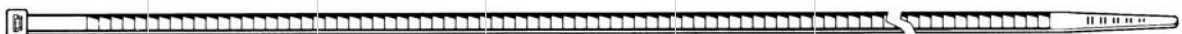






- Dielectric endurance 50,000 V/mm

#### Chemical characteristics

- Good resistance to bases, oil, grease, hydrocarbons, acetone, chlorales
- Limited concentrated acid resistance
- Dissolved by phenol and formic acid

#### Mechanical characteristics

- |                 |           |                       |
|-----------------|-----------|-----------------------|
| • Bending point | DIN 53452 | 110 M Pa              |
| • Load point    | DIN 53457 | 2800 M Pa             |
| • Resilience    | DIN 53453 | 6-8 KJ/m <sup>2</sup> |
| • Yield point   | DIN 53456 | 80 M Pa               |
| • Stretch point | DIN 53455 | 35%                   |
| • Hardness      | DIN 53456 | 125 N/mm <sup>2</sup> |

White polyamide Catalog number	Black polyamide Catalog number	Size		Tightening diameter		Minimum tightness		Pcs Unit/pack
		L in [mm]	D in [mm]	Minimum in [mm]	Maximum in [mm]	(N)	(lbs.)	
 18010	18110	3.94 [100]	.1 [2.5]	.08 [2]	.94 [24]	11	24	100/8000
 18013	18113	6.29 [160]	.1 [2.5]	.08 [2]	1.65 [42]	11	24	100/5000
 18012	18112	5.51 [140]	.14 [3.5]	.1 [2.5]	1.42 [36]	20	44	100/5000
 18011	18111	5.31 [135]	.1 [2.5]	.08 [2]	1.38 [35]	11	24	100/6000
 18014	18114	7.87 [200]	1.4 [3.5]	.1 [2.5]	1.38 [35]	20	44	100/4000
 18015	18115	7.09 [180]	.18 [4.5]	.12 [3]	1.77 [45]	28	61	100/3000
 18017	18117	11.02 [280]	1.4 [3.5]	.1 [2.5]	3.15 [80]	20	44	100/3000
 18018	18118	11.02 [280]	.18 [4.5]	.2 [5]	3.0 [76]	28	61	100/2500
 18020	18120	14.37 [360]	.18 [4.5]	.2 [5]	3.98 [101]	28	61	100/1500
 18024	18124	7.87 [200]	.3 [7.5]	.2 [5]	2 [51]	65	143	100/2000
 18026	18126	11.02 [280]	.3 [7.5]	.2 [5]	3.0 [76]	65	143	100/1000
 18034	18134	16.93 [430]	.35 [9.0]	.2 [5.0]	4.33 [110]	80	176	100/2000
 18036	18136	21.65 [550]	.35 [9.0]	.2 [5.0]	5.51 [140]	80	176	100/2000
 18038	18138	30.71 [780]	.35 [9.0]	.2 [5.0]	7.48 [190]	80	176	100/800
 18028	18128	14.17 [360]	.3 [7.5]	.2 [5.0]	4.02 [102]	65	143	100/2000

# Cable ties

## Technical data & approximate dimensions

### General features

- Manufactured in 12 nylon
- Moisture absorption less than 1%
- Black cable ties are UV resistant; excellent for outdoor applications

### Thermal properties

- Suitable for use at temperatures from -30° to +80°C
- Softening point VICAT VST/B/50-DIN 53460 over 160°C

### Electrical characteristics

- Dielectric endurance 28,000 V/mm

### Chemical characteristics

- Good resistance to bases, oil, grease, hydrocarbons, acetone, chlorales
- Limited resistance to nitric and chromic acid

### Mechanical characteristics

- Bending point DIN 53452 20 M Pa
- Load point DIN 53457 420 M Pa
- Breaking load point DIN 53455 61 M Pa
- Resilience 20°C DIN 53453 KJ/m not broken
- Yield point DIN 53456 24 M Pa
- Stretch point DIN 53455 37%
- Hardness G2 Shore D

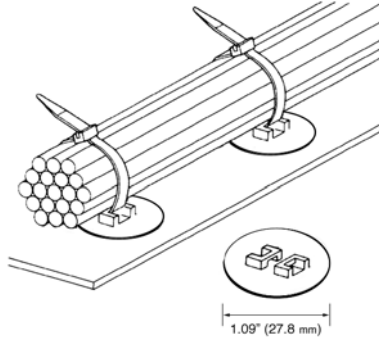
Black polyamide Catalog number	Size		Tightening diameter		Minimum tightness		Pcs Unit/pack
	L in [mm]	D in [mm]	Minimum in [mm]	Maximum in [mm]	(N)	(lbs.)	
18210	4.53 [115]	.24 [6]	.2 [5]	.79 [20]	25	55	100/3000
18212	6.89 [175]	.24 [6]	.39 [10]	1.57 [40]	25	55	100/2000
18218	4.53 [115]	.35 [9]	.2 [5]	.79 [20]	40	88	100/2000
18220	7.09 [180]	.35 [9]	.39 [10]	1.77 [45]	50	110	100/2000
18222	10.43 [265]	.35 [9]	.59 [15]	2.75 [70]	50	110	100/1000
18224	14.17 [360]	.35 [9]	.98 [25]	3.94 [100]	50	110	100/800

# Cable ties

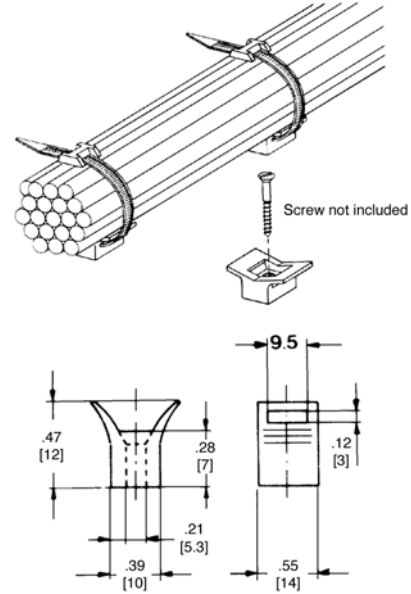
## Approximate dimensions

00.00 Inches  
00.00 [Millimeters]

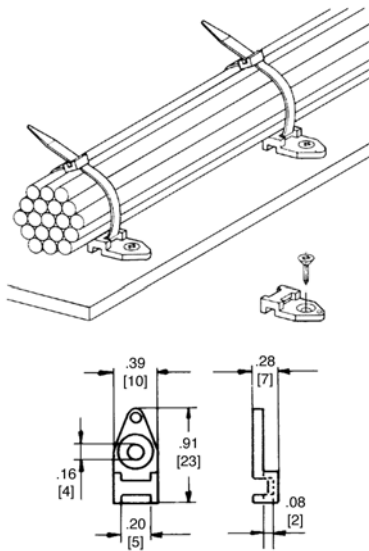
**18250 & 18251**  
Self-adhesive base for cable ties



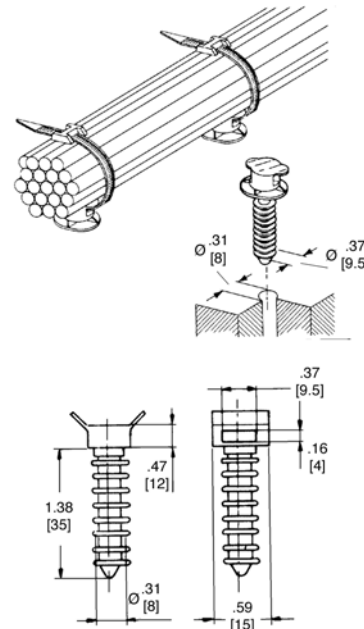
**18280**  
Screw-mounted base for cable ties



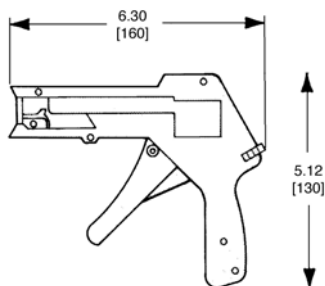
**18252 & 18253**  
Screw-mounted base for cable ties



**18282**  
Push-in base for cable ties



**18270**  
Cable tie cutter



**18270**  
Cable tie cutter

