

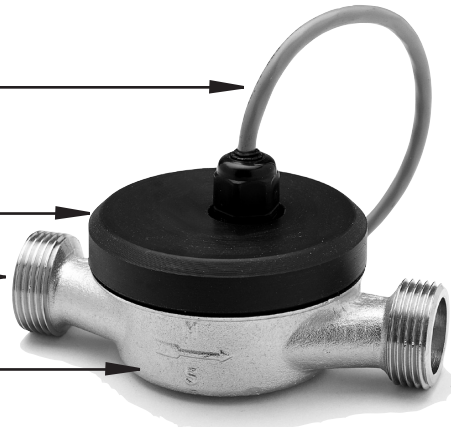
FEATURES

Hall-effect 12 Vdc signal interfaces with a variety of electronics

Removeable top contains electronics, isolated from fluid

Union ends with couplings
Easy installation and service

Compact nickel-plated body

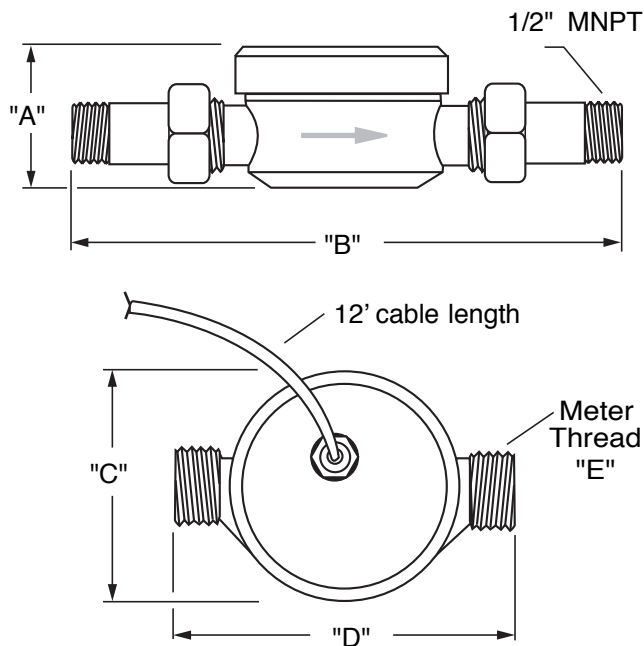


INSTALLATION and MAINTENANCE

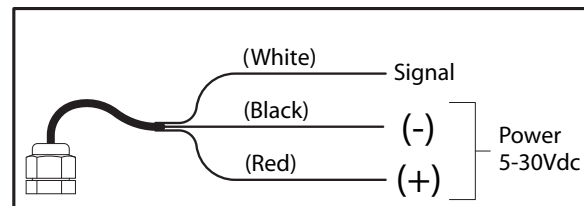
Installation. Single-jet meters like the SEB are somewhat insensitive to upstream and downstream flow conditions. For best results, however, upstream and downstream straight pipe of five pipe diameters is recommended.

Maintenance. The SEB's Hall-effect sensor and cap are field-replaceable.

DIMENSIONS



SENSOR CONNECTION



Dimension	1/2"	3/4"
A	2.5	2.5
B	9.2	10.4
C	2.8	2.8
D	4.35	5.1
E	3/4" BSP	1" BSP

HOW TO ORDER

MODEL SEB	SIZE 1/2" = -050 3/4" = -075
SEB	
ACCESSORIES	
Remote rate and total display = FT420W Pulse divider = PD10	
4-20 mA output = AO55W	

CONTACT YOUR SUPPLIER