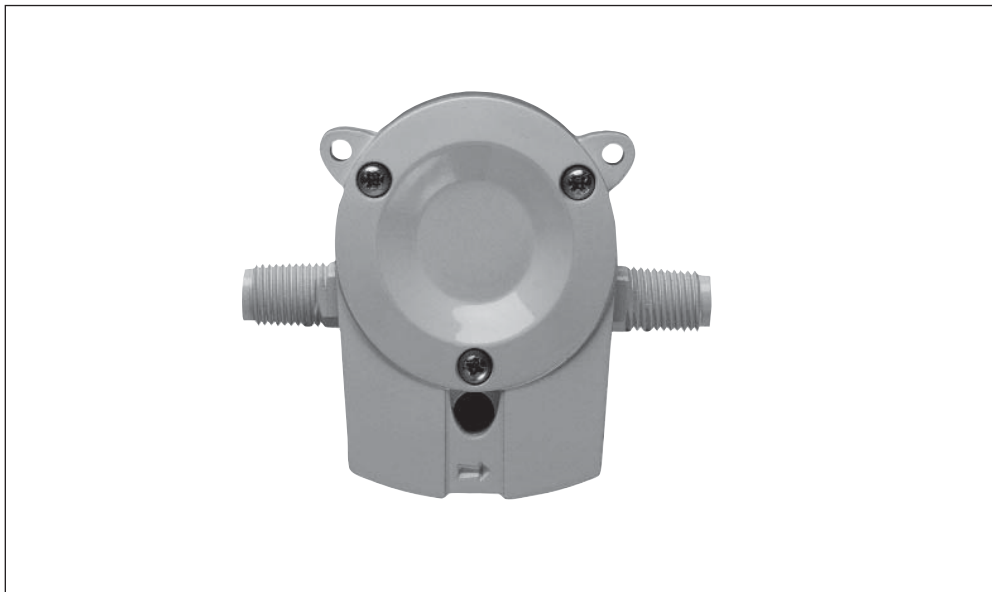


# Signet 2000 MicroFlow Rotor Sensor



## Features

- Operating range  
0.11 to 12.11 lpm  
(0.03 to 3.2 U.S. gpm)
- Simple mounting
- 1/4 in. NPT or ISO threads  
for simple pipe or tubing  
connection
- Measures opaque and  
transparent liquids
- Low pressure drop
- Standard cable  
7.6 m (25 ft)

## Description

The Signet 2000 MicroFlow Rotor Sensor is constructed of Polyphenylene Sulfide (PPS) which provides high material strength. The 2000 offers two flow ranges starting at 0.11 or 1.13 lpm (0.03 or 0.3 gpm), for clean process liquids, regardless of fluid color or opacity.






This sensor can be connected to flexible tubing or rigid pipe, and uses standard hardware for mounting. Only one moving part and a low pressure drop across the sensor reduces operating costs and maintenance requirements.

## Applications

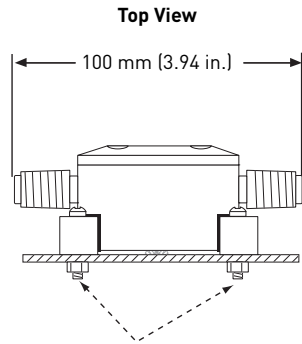
- Coolant Flow
- Dosing
- Batch Dispensing
- Not recommended for  
Strong Oxidizers

CE

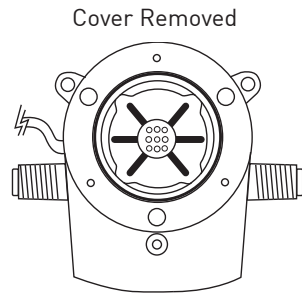
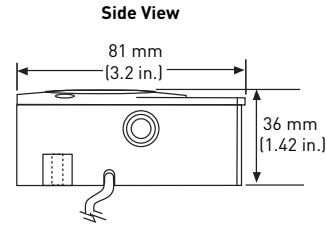
## System Overview

<p><b>Panel Mount</b> Signet Flow Instrument (sold separately) 5075 8550 5500 8900 5600</p> 	<p><b>Pipe, Tank, Wall Mount</b> Signet Flow Instrument (sold separately) 8550</p>  <p>Signet Universal Adapter Kit (3-8050) (sold separately)</p> 
<p><b>Signet 2000 Flow Sensor</b></p> 	
<p>Flexible tubing or rigid pipe (customer supplied)</p> 	

## Dimensions



Mounting tabs for metric M3 or standard #6 screws on 68 mm (2.68 in.) bolt circle



### Application Tips

- For use in clean fluids - no suspended solids.
- Use the mounting tabs to secure the sensor to a flat surface,  $\pm 30^\circ$ .
- Verify chemical compatibility before installation.

Please refer to **Wiring, Installation, and Accessories** sections for more information.

## Specifications

### General

Operating Range:

- -11 & -12 version:  
0.11 to 2.6 lpm (0.03 to 0.7 U.S. gpm)
- -21 & -22 version:  
1.13 to 12.11 lpm (0.3 to 3.2 U.S. gpm)

Linearity:  $\pm 1.2\%$  of full range

Repeatability:  $\pm 0.5\%$  of full range

Connections:  $\frac{1}{4}$  in. NPT (male) or ISO 7/1 - R1/4 (male)

### Wetted Materials

- Sensor body and cover:  
40% glass filled Polyphenylene Sulfide (PPS)
- Rotor: PEEK™, natural, unfilled
- Cover O-ring: FPM

### Electrical

Power:

5 to 24 VDC  $\pm 10\%$ , regulated, 10 mA max.

Output Type:

Open-collector, sinking, 10 mA max.

Cable Length: 7.6 m (25 ft), can be extended up to 300 m (1000 ft)

Cable Type:

2-conductor twisted pair w/shield, 22 AWG

### Max. Temperature/Pressure Rating

0 °C to 80 °C @ 5.5 bar max.

(32 °F to 176 °F @ 80 psi max.)

See Temperature and Pressure Graphs for more information

**Shipping Weight** 0.3 kg 0.7 lb

### Standards and Approvals

- CE
- Manufactured under ISO 9001 for Quality and ISO 14001 for Environmental Management

## Ordering Information

Sensor Part Number		
<b>3-2000</b>	MicroFlow rotor flow sensor	
↓	Flow Range	
	<b>1</b>	Low flow, 0.11 to 2.61 lpm (0.03 to 0.7 gpm)
	<b>2</b>	High flow, 1.13 to 12.11 lpm (0.3 to 3.2 gpm)
	End Fittings	
	<b>1</b>	$\frac{1}{4}$ NPT threads
	<b>2</b>	ISO 7/1-R1/4 threads
<b>3-2000</b>	<b>-1</b>	<b>↓ 1</b> Example Part Number

Mfr. Part No.	Code
3-2000-11	<b>198 822 000</b>
3-2000-12	<b>198 822 001</b>

Mfr. Part No.	Code
3-2000-21	<b>198 822 002</b>
3-2000-22	<b>198 822 003</b>

## Accessories and Replacement Parts

Mfr. Part No.	Code	Description
3-2000.390	<b>159 000 248</b>	Replacement rotor kit
1220-0029	<b>198 820 049</b>	Cover O-ring
2450-0620	<b>198 820 051</b>	Cover screw
5523-0222	<b>159 000 392</b>	Cable (per foot), 2 cond. w/shield, 22 AWG
3-8050-1	<b>159 000 753</b>	Universal junction box

Rev A (3/09)

© Georg Fischer Signet LLC

3401 Aerojet Avenue, El Monte, CA 91731-2882 U.S.A. • Tel. (626) 571-2770 • Fax (626) 573-2057 • www.gfsignet.com • e-mail: signet.ps@georgfischer.com

Specifications subject to change without notice. All rights reserved. All corporate names and trademarks stated herein are the property of their respective companies.