

Signet 5500 Flow Monitor

Member of the ProPoint® Family of Monitors



Featuring analog and digital displays and a remote resettable totalizer.

Features

- Permanent and resettable totalizers
- Two programmable relays
- Fully scaleable active (internally powered) 4 to 20 mA output
- Tamper proof security code
- Non-volatile memory
- Intuitive software design
- Programmable pulse outputs

Applications

- Waste Water Flow Accumulation
- Water Treatment Systems
- Filtration Systems
- Feed Pump Pulsing
- Fertigation
- Irrigation
- Commercial Pools & Spas
- Groundwater Remediation
- HVAC
- Process Flow Monitoring
- UPW Distribution
- Demineralizer Regeneration
- Process Cooling Water
- Neutralization Systems

Description

The Signet 5500 Flow Monitor is an instrument that comes fully equipped with all of the basic tools needed for monitoring and controlling a flow system. The analog dial enables the user to easily read instantaneous flow rate, while the backlit LCD is useful for calibration, setup, and displaying totalized flow volume. The 5500 features a standard 1/4 DIN package and removable wiring terminals. Power the instrument with virtually any standard 24-volt power supply (AC or DC).

Connect any one of Signet's wide array of flow sensors, then consider which output features are best for your application.

Two dry-contact relays can be configured for High or Low alarm operation, or they can be set to pulse operation for chemical dosing applications.

Use the internally powered 4 to 20 mA output, programmable from the front keypad, to send the flow information to any PLC or data logger.

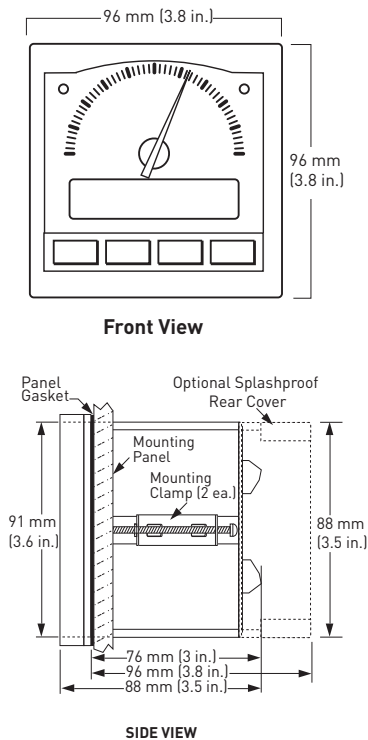
If you use all of these output features, you still have two more output pulse terminals, one at sensor frequency, the other triggered by the totalizer. And just for added convenience, the resettable totalizer can be reset by a remote hard-wired switch, up to 30 m (100 ft), or from the front keypad.

System Overview

<p>Panel Mount Signet 5500 Flow Instrument (includes mounting bracket and panel gasket)</p>	
<p>Signet Flow Sensor (sold separately)</p>	
<p>Signet Fittings or end connectors as required (sold separately)</p>	



Dimensions



Specifications

General

Operating Range: 0.5 Hz to 10kHz
 Accuracy: $\pm 0.5\%$ of reading
 Display:

- Analog: Six slide-in dial ranges - 0 to 2, 4, 6, 8, 10 & 100 w/multipliers
- Digital: Backlit LCD, 2x16 alphanumeric character
- Additional Functions: Sensor pulse output, volumetric auxiliary pulse output, remote totalizer reset

Materials

- Enclosure: ABS Plastic
- Keypad: Silicone Rubber
- Panel and case gasket: Neoprene
- Window: Hard-coated polycarbonate

Electrical

- Power Requirements:
 12 to 24 VAC or DC $\pm 10\%$, regulated recommended, 50 to 60 Hz, 10W max.
- Current Output:
- 4 to 20 mA, non-isolated, active, internally powered

Electrical (continued)

- Loop Impedance: 350 Ω max. @ 12 V
 950 Ω max. @ 24 V
 - Accuracy: $\pm 0.1\%$
 - Update Rate: 100 msec
- Alarm Contacts:
- Two SPDT relays: High/Low/Pulse programmable with adj. hysteresis for exiting alarm condition
 5 A @ 30 VDC
 5 A @ 125 VAC
 3 A @ 250 VAC max.

Environmental

- Operating Temperature:
 -10 °C to 55 °C (14 °F to 131 °F)
- Relative Humidity:
 0 to 95%, non-condensing
- Enclosure: NEMA 4X/IP65 front

Shipping Weight 0.8 kg 1.8 lb

Standards and Approvals

- UL, CE, CUL
- Manufactured under ISO 9001 for Quality and ISO 14001 for Environmental Management

Ordering Information

Mfr. Part No	Code	Description
3-5500	198 825 002	5500 Flow Monitor

Model 5500

Ordering Notes

- 1) Panel cutout should be 92 x 92 mm (3.62 x 3.62 in.)
- 2) Reversible dials are included and are scaled from 0 to 2, 0 to 4, 0 to 6, 0 to 8, 0 to 10, and 0 to 100.
- 3) An optional splash proof rear cover can be ordered separately if needed.
- 4) Flow rate unit tags are provided for labeling dials appropriately in units of gpm, lpm, etc.

Please refer to Wiring, Installation, and Accessories sections for more information.

Accessories and Replacement Parts

Mfr. Part No	Code	Description
Mounting		
3-5000.395	198 840 227	Splashproof rear cover kit
3-5000.399	198 840 224	5 x 5 inch adapter plate to retrofit older Signet installations
3-5000.598	198 840 225	Surface mount bracket (panel mount only)
3-0000.596	198 000 641	Heavy duty wall mount bracket (panel mount only)
Liquid Tight Connectors		
3-9000.392	159 000 368	Liquid tight connector kit (includes 3 connectors)
3-9000.392-1	159 000 839	Liquid tight connector kit, NPT (1 connector)
3-9000.392-2	159 000 841	Liquid tight connector kit, PG 13.5 (1 connector)
Replacement Parts		
3-5000.390	159 000 323	Installation kit (ProPoint® screws, clamps, mounting brackets)
3-5000.525-1	198 840 226	Bezel, 5000 series
3-5500.390	159 000 347	Dial kit
3-5500.611	198 840 230	Unit tags
3-5000.397	159 000 326	5000 series window (window, keypad, & screws)
Other		
3-5000.398	159 000 646	Protective overlay kit (10 pcs.)
3-5000.075	159 000 321	110V/24 VAC transformer
3-8050.396	159 000 617	RC filter kit (for relay use)

Rev A (3/09)