

Georg Fischer COOL-FIT™ Easy Flow



3-6500.090 Rev A 02/07

Description

The Georg Fischer Cool-Fit Easy Flow enables professional refrigeration system technicians to balance the flow of coolant through a new refrigeration system quickly and easily.

A Georg Fischer Cool-Fit system includes a selection of pre-insulated pipes and fittings, a simple paddlewheel flow sensor and the Model 6500 Cool-Fit Easy Flow.

L/s
m³/h
GPM

Select the units of measure for the flow rate display.

GPM	U.S. Gallons Per Minute
GPH	U.S. Gallons Per Hour
fps	feet per second
L/s	Liters per second
L/m	Liters per minute
m3h	Cubic meters per hour
m/s	meters per second

Fluid Media

Select the specific fluid media being used. This selection is important, as different fluids have different flow characteristics. If the specific fluid is unknown, first determine the fluid temperature and density, then contact your Georg Fischer Cool-Fit expert.

- Glycol 10
- Glycol 20
- Glycol 35
- Water
- HC Marine

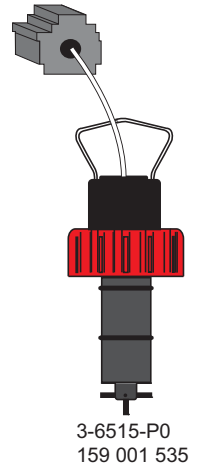
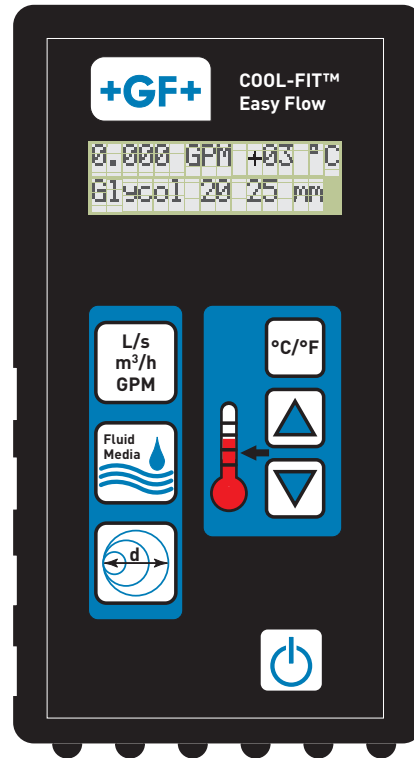
Select the inside diameter of the pipe where the flow sensor is installed:

- 25 mm
- 32 mm
- 40 mm
- 50 mm
- 63 mm

Select °C or °F

Set the temperature of the media.

- Press and release to turn the backlight on for 60 seconds.
- Press and hold for 2 seconds to turn the monitor on and off
- The monitor will automatically turn off if no keys are pressed for 10 minutes.



6500 COOL-FIT Easy Flow

With rubber cover
(paddlewheel sensor and installation tee sold separately)

WARNING:
Only for use with the Cool-fit flow sensors. Not intended to use with Ethernet connections, unit may get damaged.

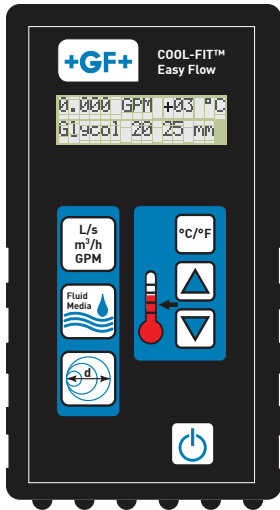
RJ-45 Connector

4 AA Alkaline batteries

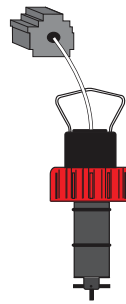
Back view
With rubber cover removed showing battery compartment and RJ-45 Sensor connector

Dispose Of Batteries Properly:
Batteries contain hazardous chemicals. Dispose of batteries according to local regulation.

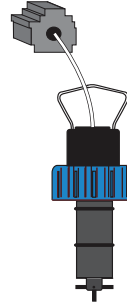
Ordering Information



3-6500
159 001 537
 COOL-FIT Easy Flow



3-6515-P0 (Red cap)
159 001 535
 COOL-FIT Rotor-X Flow Sensor,
 Polypropylene body with Titanium rotor pin,
 min flow 0.3 m/s



3-6536-P0 (Blue cap)
159 001 536
 COOL-FIT Rotor-X Flow Sensor,
 Polypropylene body with Titanium rotor pin,
 min flow 0.1 m/s

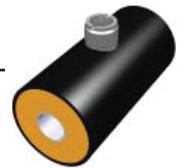
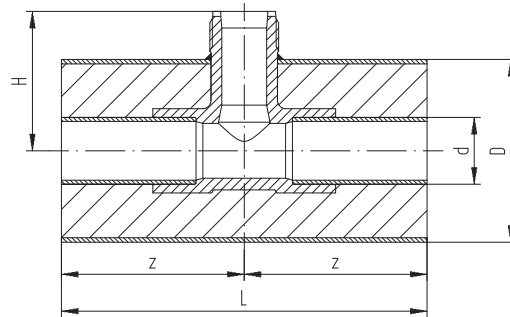
COOL-FIT Installation fittings

Black pipe (shown)

Code	DN	d	L	H	Z
738 310 107	DN20	25	220	78	110
738 310 108	DN25	32	220	81	110
738 310 109	DN32	40	220	85	110
738 310 110	DN40	50	220	89	110
738 310 111	DN50	63	220	95	110

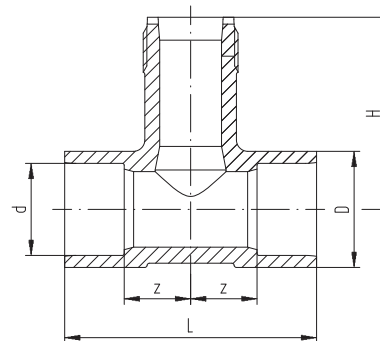
White pipe

Code	DN	d	L	H	Z
738 310 207	DN20	25	220	78	110
738 310 208	DN25	32	220	81	110
738 310 209	DN32	40	220	85	110
738 310 210	DN40	50	220	89	110
738 310 211	DN50	63	220	95	110



ABS Installation Fittings

Code	DN	d	L	H	Z
729 310 007	DN20	25	100	78	32
729 310 008	DN25	32	110	81	33
729 310 009	DN32	40	110	85	29
729 310 010	DN40	50	120	89	29
729 310 011	DN50	63	130	95	28



Georg Fischer Inc. Tustin, CA 92780-7258
 Phone +1(714) 731 88 00 Toll Free 800/854 40 90 us.ps@georgfischer.com www.gfpiping.com
 Georg Fischer Piping Systems Ltd. CH-8201 Schaffhausen, Switzerland
 Phone +41(0)52 631 30 26 info.ps@georgfischer.com www.piping.georgfischer.com

